

## Fast and easy migration from DC barrel to Type-C



### Features

- USB Power Delivery SINK port
- Short-to VBUS protection up to 28 V
- Low BOM cost, small footprint
- Status LED

### Description

The **EVAL-SCS001V1** reference design allows user to create a USB Type-C connector quickly and easily in order to power any application up to 100 W (20 V, 5 A).

#### Product status link

[EVAL-SCS001V1](#)

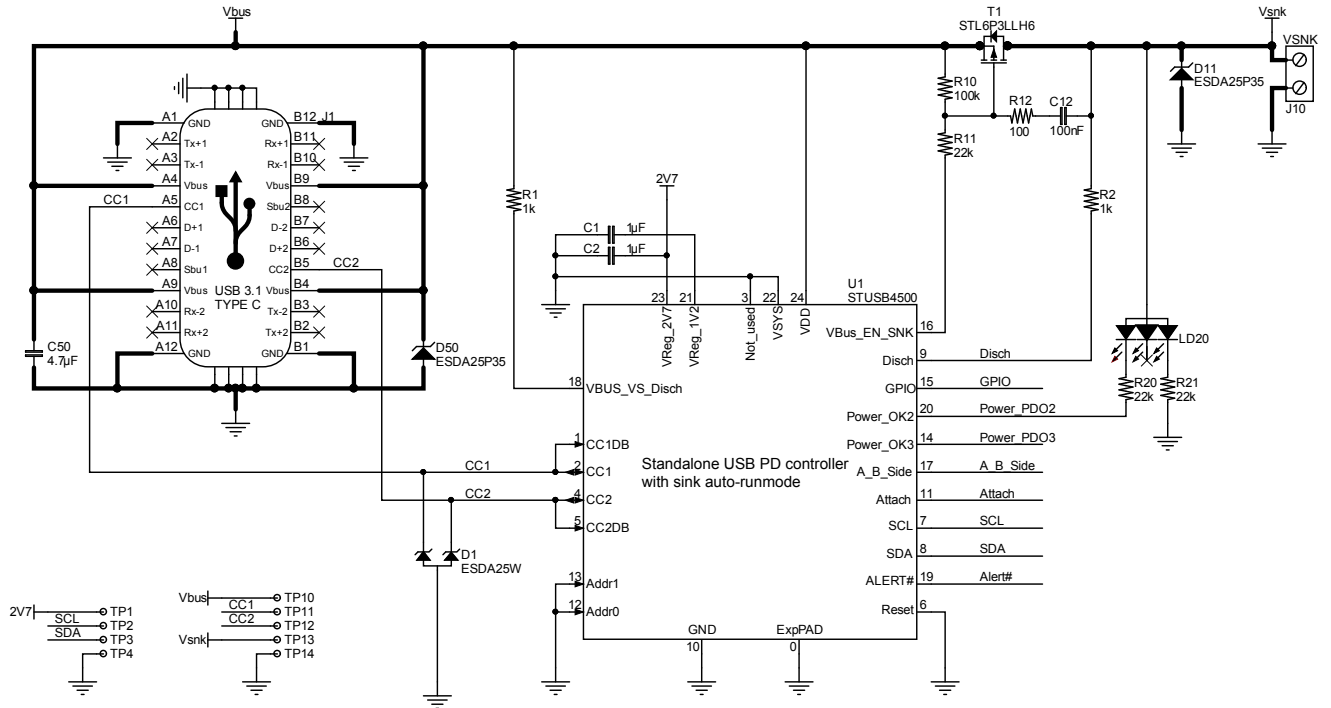
#### Product summary

Stand-alone USB  
PD controller

[STUSB4500](#)

# 1 Schematic diagram

Figure 1. EVAL-SCS001V1 schematic diagram



## Revision history

**Table 1. Document revision history**

Date	Version	Changes
15-Jan-2019	1	Initial release.
29-Apr-2019	2	Updated cover image.
22-Oct-2019	3	Updated <a href="#">Figure 1. EVAL-SCS001V1</a> schematic diagram.
20-Nov-2019	4	Minor text changes

**IMPORTANT NOTICE – PLEASE READ CAREFULLY**

STMicroelectronics NV and its subsidiaries (“ST”) reserve the right to make changes, corrections, enhancements, modifications, and improvements to ST products and/or to this document at any time without notice. Purchasers should obtain the latest relevant information on ST products before placing orders. ST products are sold pursuant to ST’s terms and conditions of sale in place at the time of order acknowledgement.

Purchasers are solely responsible for the choice, selection, and use of ST products and ST assumes no liability for application assistance or the design of Purchasers’ products.

No license, express or implied, to any intellectual property right is granted by ST herein.

Resale of ST products with provisions different from the information set forth herein shall void any warranty granted by ST for such product.

ST and the ST logo are trademarks of ST. For additional information about ST trademarks, please refer to [www.st.com/trademarks](http://www.st.com/trademarks). All other product or service names are the property of their respective owners.

Information in this document supersedes and replaces information previously supplied in any prior versions of this document.

© 2019 STMicroelectronics – All rights reserved