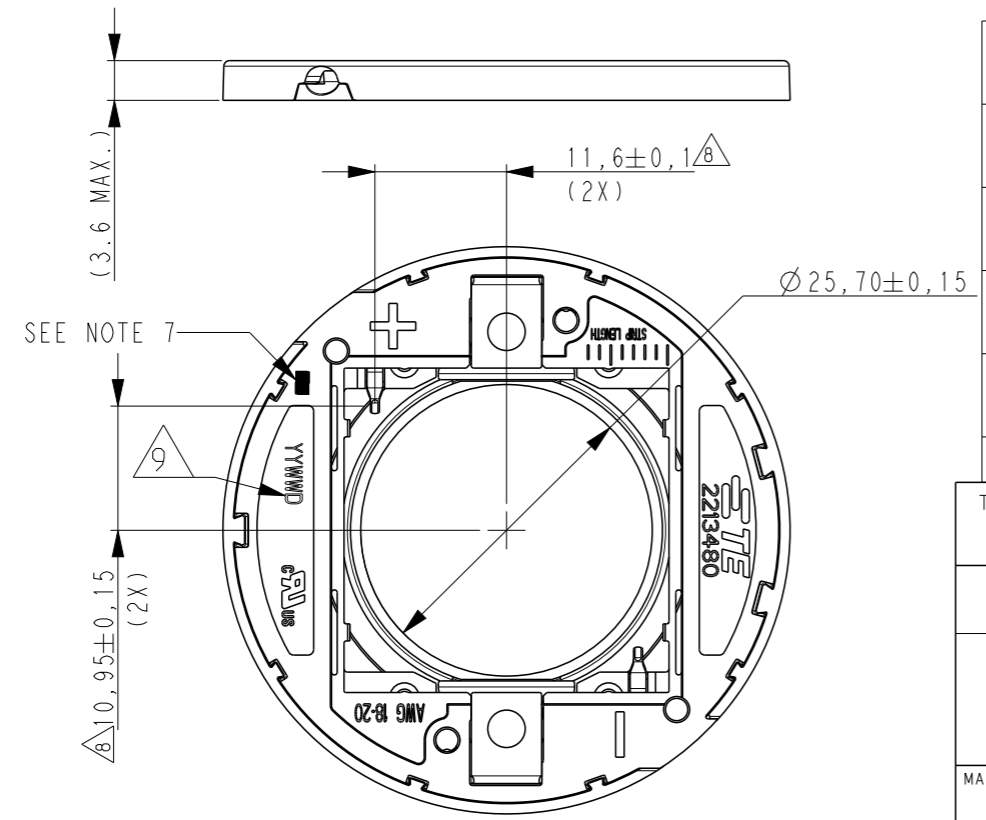
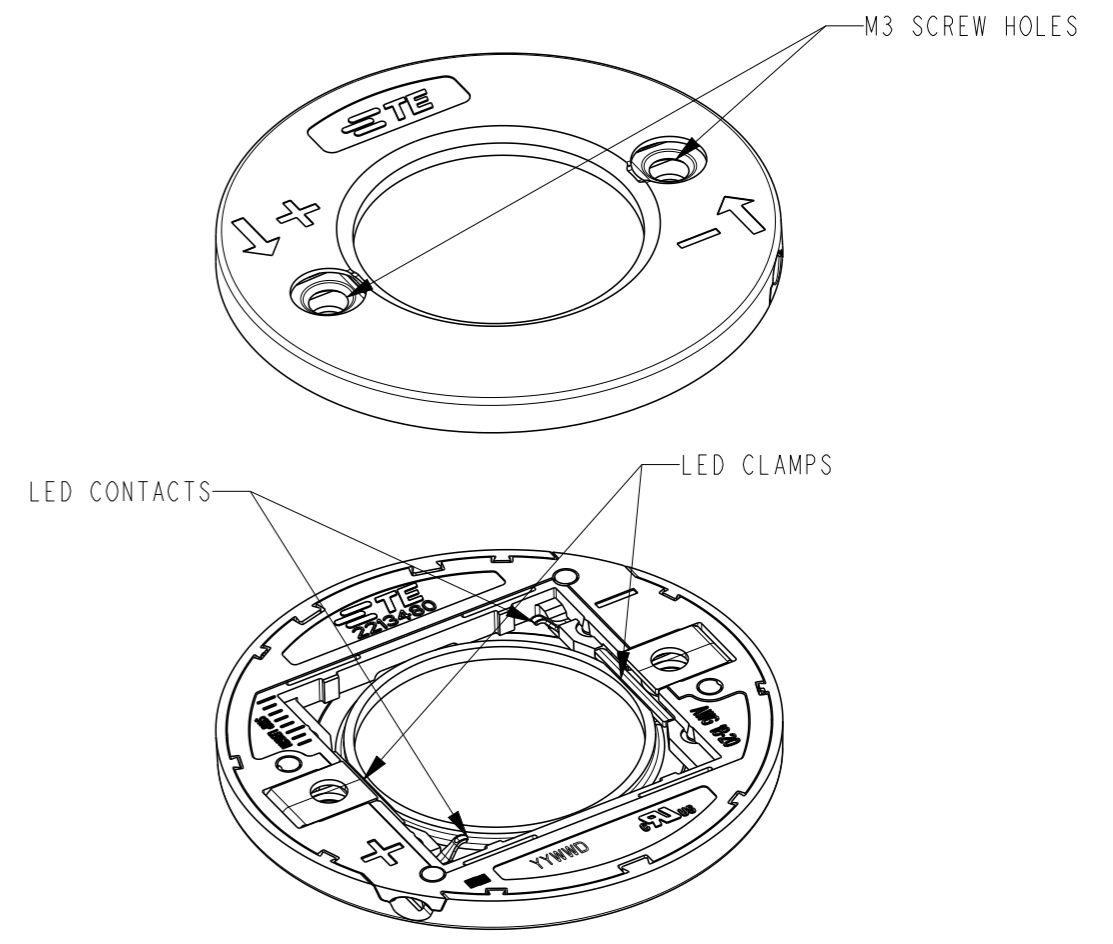
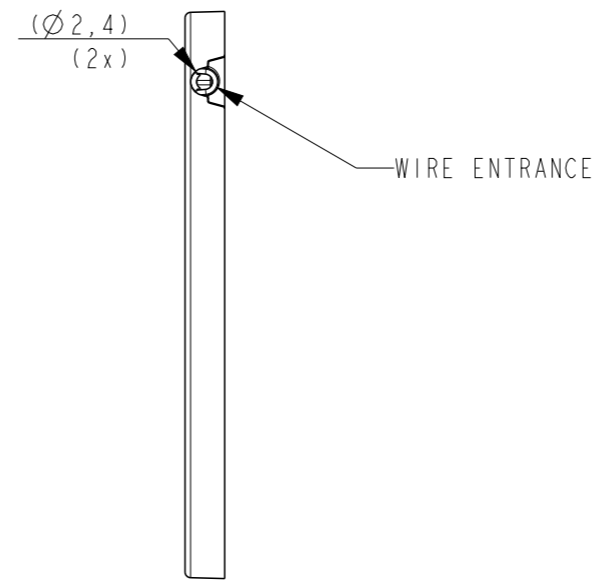
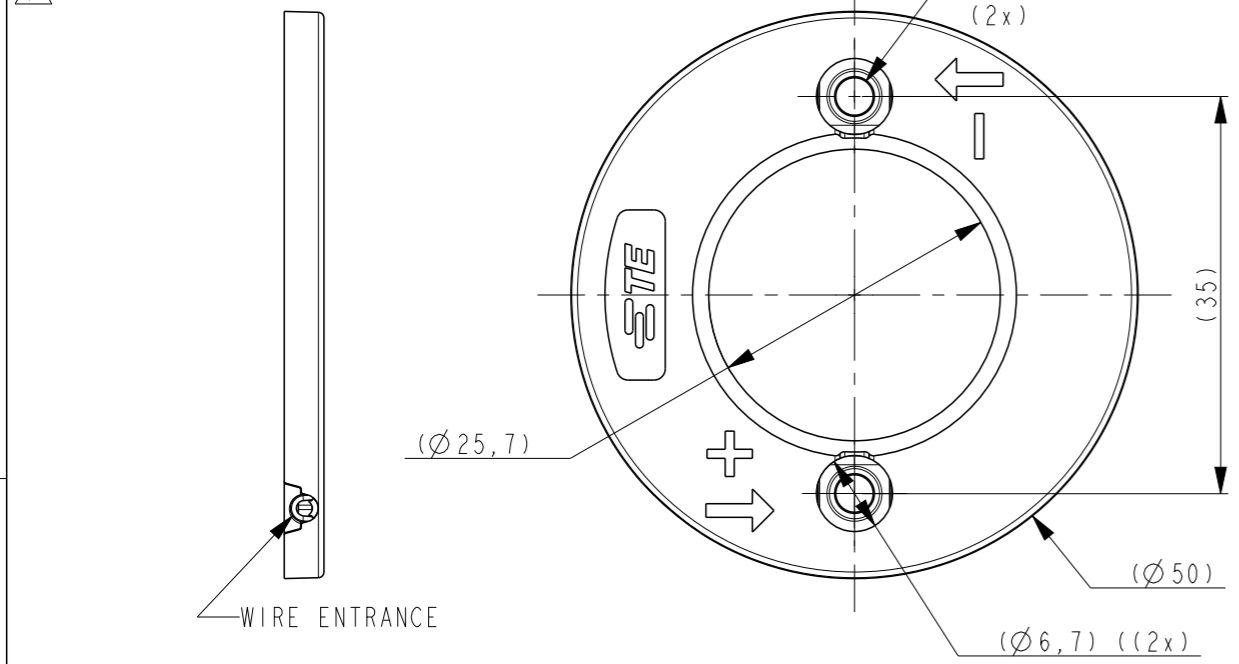


THIS DRAWING IS UNPUBLISHED. RELEASED FOR PUBLICATION
 © COPYRIGHT - BY TYCO ELECTRONICS CORPORATION. ALL RIGHTS RESERVED.

LOC	DIST	REVISIONS			
P	LTR	DESCRIPTION	DATE	DWN	APVD
H	-	C6	ECR-19-000064	04JAN2019	SR DD
		C7	ECR-19-013004	23AUG2019	SR JL
		C8	ECR-19-018313	25NOV2019	SR JL
		C9	ECR-20-000836	23JAN2020	SB JL

- NOTES:
- MATERIALS:
HOUSING: GLASS FILLED PBT, HALOGEN FREE FLAME RETARDANT
COLOR : WHITE
CONTACTS: GOLD PLATED COPPER ALLOY
 - FOR WIRE TYPES AWG 18 AND 20 AWG.
 - COMPLIES WITH DIRECTIVE 2002/95/EC (ROHS)
 - WIRE STRIP LENGTH: 7-8 mm
 - MAX. WIRE INSULATION OUTER DIAM.: $\varnothing 2.3\text{mm}$.
 - RECOMMENDED SCREW TORQUE: 0.4 - 0.6 Nm.
 - IN ORDER TO CREATE A FLAT OPTIC LANDING ZONE ON HOLDER A COUNTERSUNK SCREW CAN BE USED, I.E. SCREW-TYPE ISO 10642.
 - BLACK MARK INDICATES THE + (ANODE) SIDE

\triangle DUE TO HIGH LUMEN OUTPUT CARE MUST BE TAKEN TO DESIGN OPTICAL SYSTEM TO ENSURE LIGHT DOES NOT REACH HOLDER.
 11. FOR COB-TO-HOLDER CROSS REFERENCE, REFER TO APPLICATION SPECIFICATION 114-32208.



PART NO	DESCRIPTION	PACKAGING
4-2213480-1	Z50 LED HOLDER 2828	10 PIECES IN TRAY 56 TRAYS PER SHIPPING BOX
2-2213480-1	Z50 LED HOLDER 2828	2x10 PIECES IN TRAY AND BOX 25 BOXES IN SHIPPING BOX
1-2213480-1	Z50 LED HOLDER 2828	2x10 PIECES IN TRAY AND BOX 25 BOXES IN SHIPPING BOX
2213480-2	LUMAWISE Z50 LED holder 2727 general	2x5 PIECES IN TRAY 56 TRAYS IN SHIPPING BOX
2213480-1	LUMAWISE Z50 LED holder 2828 general	2x5 PIECES IN TRAY 56 TRAYS IN SHIPPING BOX

THIS DRAWING IS A CONTROLLED DOCUMENT.

DWN	08APRIL2014	 TE Connectivity	NAME LUMAWISE Z50 high performance LED HOLDER
CHK	P. POORTER		
CHK	08APRIL2014		
CHK	O. LEIJNSE		
APVD	08APRIL2014	PRODUCT SPEC	108-133018
		APPLICATION SPEC	114-133019
		WEIGHT	-
Customer Drawing		SCALE	3:2
		SHEET	1 OF 3
		REV	C9

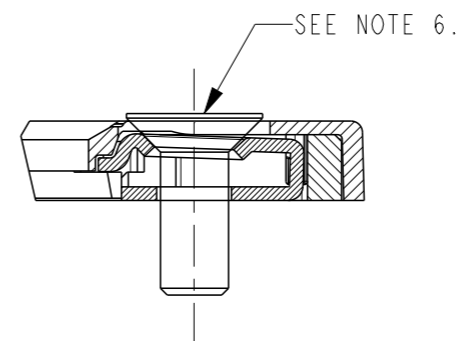
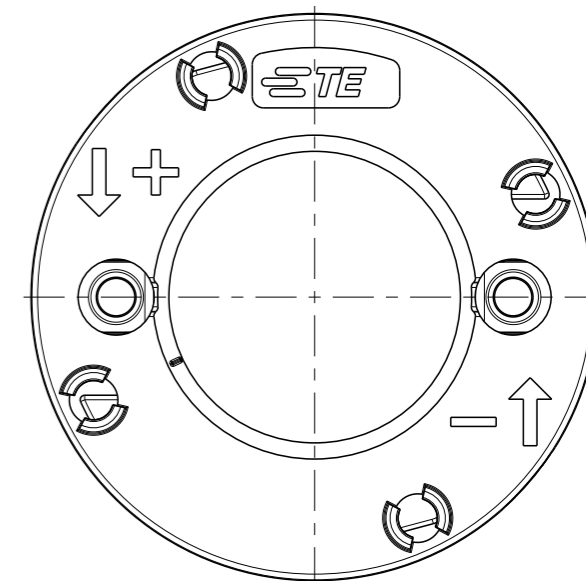
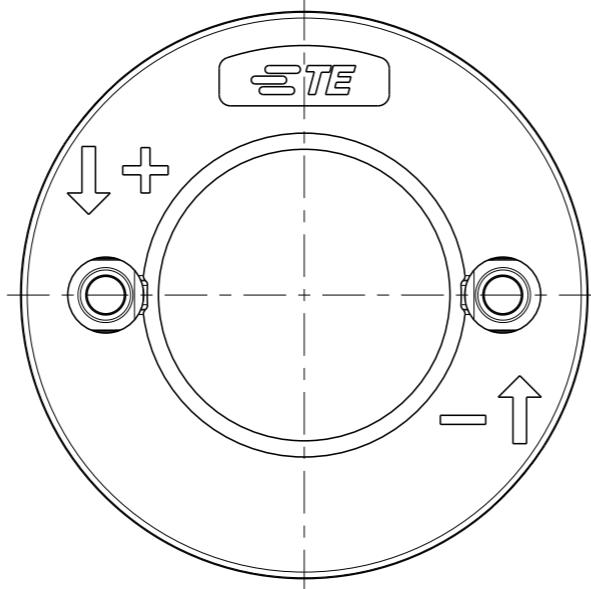
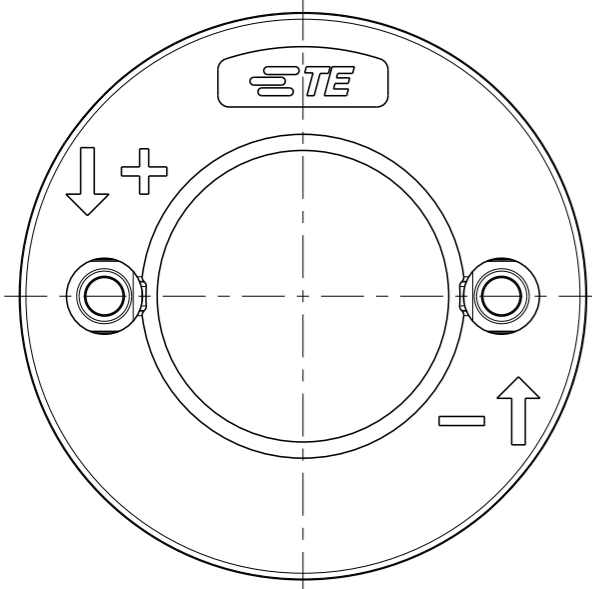
THIS DRAWING IS UNPUBLISHED. RELEASED FOR PUBLICATION
 © COPYRIGHT - BY TYCO ELECTRONICS CORPORATION. ALL RIGHTS RESERVED.

LOC	DIST	REVISIONS			
P	LTR	DESCRIPTION	DATE	DWN	APVD
H	-	SEE SHEET 1	-	-	-

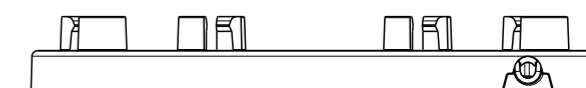
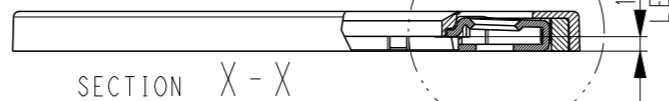
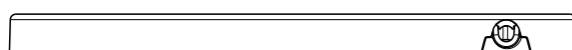
2213480-1 AS SHOWN

2213480-2 AS SHOWN

4-2213480-1 AS SHOWN

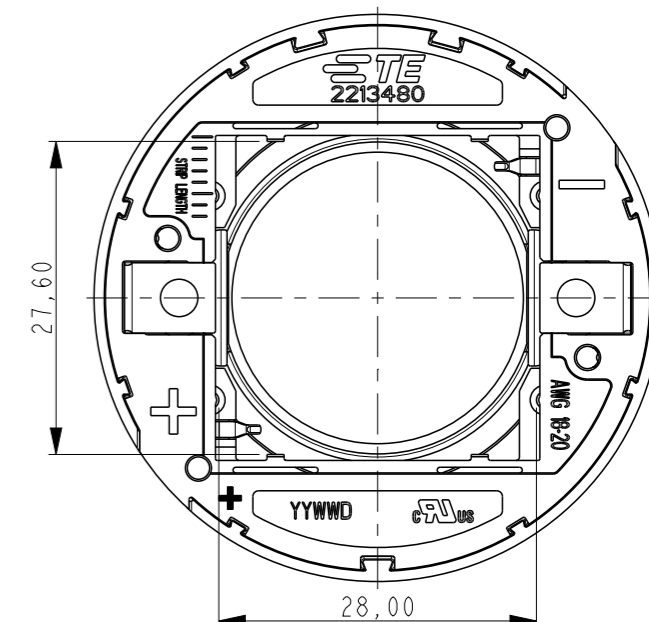
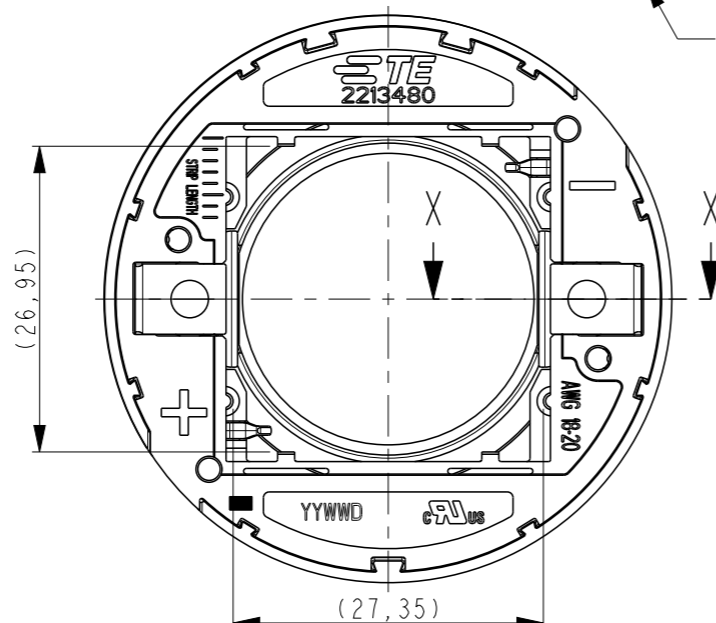
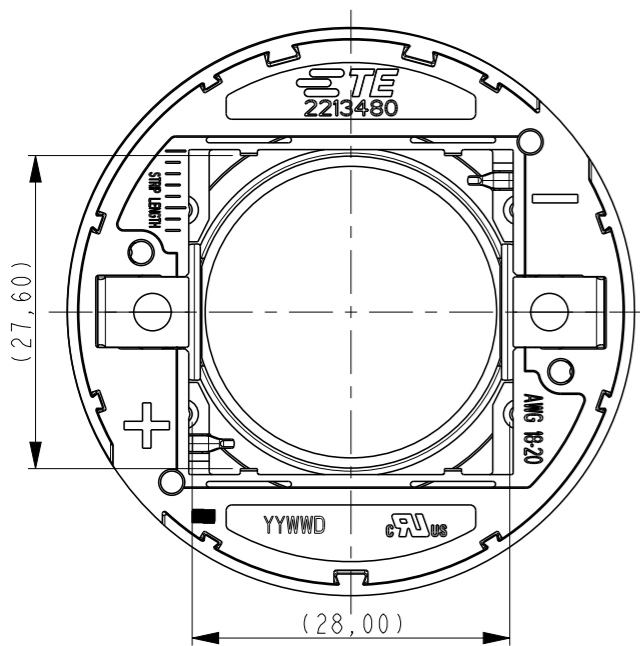



DETAIL A
SCALE 3:1



SECTION X-X

SEE DETAIL A



THIS DRAWING IS A CONTROLLED DOCUMENT.		DWN P. POORTER 08APRIL2014	 TE Connectivity	
DIMENSIONS: mm		CHK O. LEIJNSE 08APRIL2014		
TOLERANCES UNLESS OTHERWISE SPECIFIED:		APVD O. LEIJNSE 08APRIL2014	NAME LUMAWISE Z50 high performance LED HOLDER	
0 PLC ±- 1 PLC ±- 2 PLC ±- 3 PLC ±- 4 PLC ±- ANGLES ±-		PRODUCT SPEC 108-133018	RESTRICTED TO	
MATERIAL -		FINISH -	APPLICATION SPEC 114-133019	SIZE A3
		Customer Drawing	WEIGHT -	CAGE CODE 00779
			DRAWING NO C-2213480	DRAWING NO C-2213480
			SCALE 3:2	SHEET 2 OF 3
				REV C9

4

3

2

1

THIS DRAWING IS UNPUBLISHED.

RELEASED FOR PUBLICATION

© COPYRIGHT - BY TYCO ELECTRONICS CORPORATION. ALL RIGHTS RESERVED.

LOC	DIST	REVISIONS					
H	-	P	LTR	DESCRIPTION	DATE	DWN	APVD
			-	SEE SHEET 1	-	-	-

RECOMMENDED DRILLING HOLE PATTERN:

M3 (2x)
 ± 0.1
 35,00
 $\varnothing 50.0$ MIN. KEEP OUT ZONE

NOMINAL LED INFO:


THE SKETCH BELOW IS SHOWING THE NOMINAL LED COB DIMENSIONS TO MATCH WITH THE Z50 LED HOLDER 2828 (2213480-1)

FOR TECHNICAL DETAILS ABOUT A PROPER MATCH WITH A SPECIFIC LED COB ARRAY PLEASE CONTACT A REPRESENTATIVE AT TE-CONNECTIVITY

27.35-28,00 NOMINAL
 CONTACT POINTS AREA (2x)
 27.35-28,00 NOMINAL
 LES 25,50 MAX.
 1.2 MAX.

RECOMMENDED KEEP OUT AREA FOR CLAMPING:

25,8 MIN.
 12,7 MIN.
 NO TRACKS BELOW THIS AREA!

THIS DRAWING IS A CONTROLLED DOCUMENT.		DWN 08APRIL2014 P. POORTER	 TE Connectivity	
DIMENSIONS: mm		CHK 08APRIL2014 O. LEIJNSE		
TOLERANCES UNLESS OTHERWISE SPECIFIED:		APVD 08APRIL2014 O. LEIJNSE	NAME LUMAWISE Z50 high performance LED HOLDER	
0 PLC \pm -		PRODUCT SPEC 108-133018	RESTRICTED TO	
1 PLC \pm -		APPLICATION SPEC 114-133019	SIZE A3	CAGE CODE 00779
2 PLC \pm -		WEIGHT -	DRAWING NO C-2213480	
3 PLC \pm -				
4 PLC \pm -				
ANGLES \pm -				
FINISH -				
MATERIAL -				
		Customer Drawing	SCALE 3:2	SHEET 3 OF 3
			REV C9	

1470-19 (3/11)

Mouser Electronics

Authorized Distributor

Click to View Pricing, Inventory, Delivery & Lifecycle Information:

[TE Connectivity:](#)

[4-2213480-1](#)