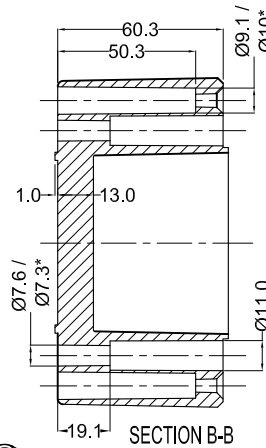
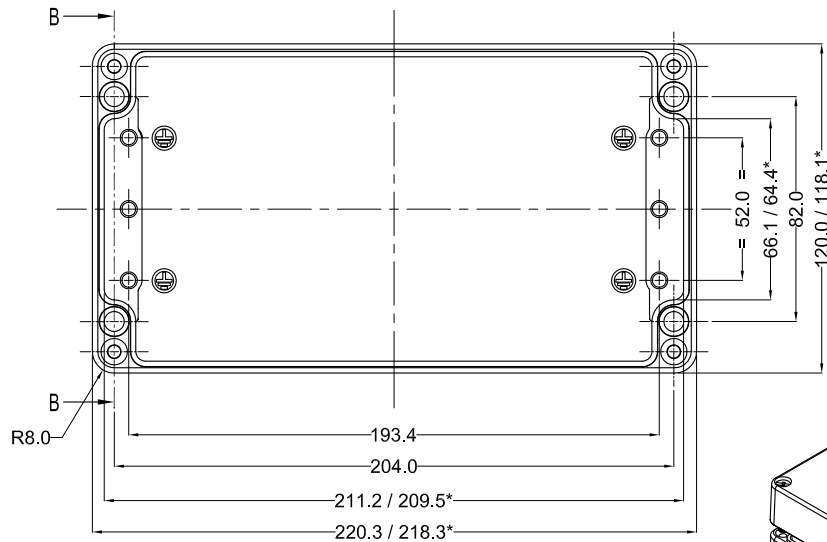
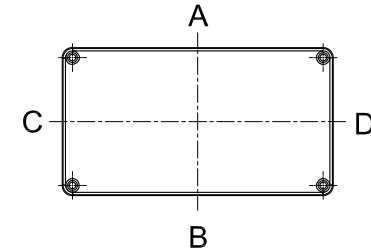
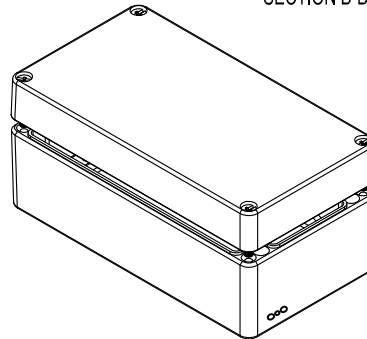





SECTION A-A




SECTION B-B



GENERAL SPECIFICATION AND AREA CLASSIFICATION:

1. MATERIAL COMPOSITION - AISI 12
 2. DEGREE OF PROTECTION IP66 AS PER IEC 60529 : 1989 +A1 : 2000
 3. SERVICE TEMPERATURE RANGE : - 50 °C to +135 °C
 4. ALL DIMENSIONS ARE IN mm. UNLESS STATED OTHERWISE.
 5. SURFACE WILL PLAIN FINISH OR POWDER COATED.(RAL-7001)
 6. THE JUNCTION BOX WILL BE MARKED WITH
 7.  II 2 G Ex e IIC Gb
 II 2 D Ex tb IIIC Db IP 66
0539
 DEMKO 13 ATEX 1327771U
 IECEX UL 13.0042U
 8. TRADE MARK 
- ⚠ NOT TO BE REVISED WITHOUT NOTIFICATION TO THE ExCB/NOTIFIED BODY**

Opening Detail (Size)	NO OF HOLES SIDE A/B	Min. Distance between the opening for Side A/B (mm)	NO OF HOLES SIDE C/D	Min. Distance between the opening for Side C/D (mm)	Opening Detail (Size) PG	NO OF HOLES SIDE A/B	Min. Distance between the opening for Side A/B (mm)	NO OF HOLES SIDE C/D	Min. Distance between the opening for Side C/D (mm)	Min. Distance of last opening from the enclosure end on side A/B (mm)	Min. Distance of last opening from the enclosure end on side C/D (mm)
M12	14	11	5	10	Pg.7	14	11	5	10	20	28
M16	14	11	5	10	Pg.9	14	11	5	10	20	28
M20	12	9	3	9	Pg.11	14	8	4	8	19	30
M25	6	14	2	14	Pg.13.5	12	12	3	9	18	28
M32	4	18	1	-	Pg.16	10	10	2	14	19	30
M40	-	-	-	-	Pg.21	6	10	2	11	17	28
M50	-	-	-	-	Pg.29	4	13	1	-	17	34
M63	-	-	-	-	Pg.36	-	-	-	-	-	-
-	-	-	-	-	Pg.42	-	-	-	-	-	-
-	-	-	-	-	Pg.48	-	-	-	-	-	-

QUANTITY 1	MATERIAL :- ALSI12 (DIN230)	MACH.NAME -	DATE 17/08/14	SIGN MANOJ	NAME DRAWN	
 TOLERANCE ±0.2 DIMENSIONS ±0.2 HOLES ±1.0° ANGLES	WEIGHT :-	FINISH :- NATURAL	TITLE :- JUNCTION BOX 220 x 120 x 81	DATE 17/08/14	SIGN G. K.	NAME CHECKED
	Raychem RPG (P) Limited		SCALE	DATE 17/08/14	SIGN J. B.	NAME APPROVED
	Ceat Mahal Annex, Dr. Annle Besant Road, Worli, Mumbai 400030 Web : www.raychemrpg.com		PARTNO. 0	DRG. NO. REV 0	Ex-AJB-22012091	

SR.NO.	PART NAME	DRAWING NO.	MATERIAL	QTY
5	SILICON GASKATE	JB-02GSK-12	SILICON	1
4	JB EXTERNAL EARTHING SET	-	AISI 304	1
3	LID MOUNTING SCREW	M6 JB-SCR-LD-00	AISI 304	4
2	JB-EARTHING SCREW	-	MS COPPER PLATED	2
1	JUNCTION BOX Ex-220 x 120 x 91	Ex-22012091	AISI 12	1

PROPERTY OF RaychemRPG (P) LTD.
ALL RIGHTS RESERVED AND/OR PHOTOCOPIING THIS DOCUMENT
TO A PERSON WITHOUT RaychemRPG (P)LTD. WRITTEN AUTHORIZATION IS PROHIBITED

B.O.M.