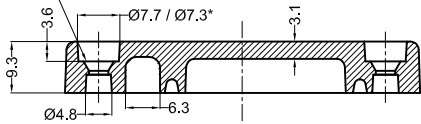
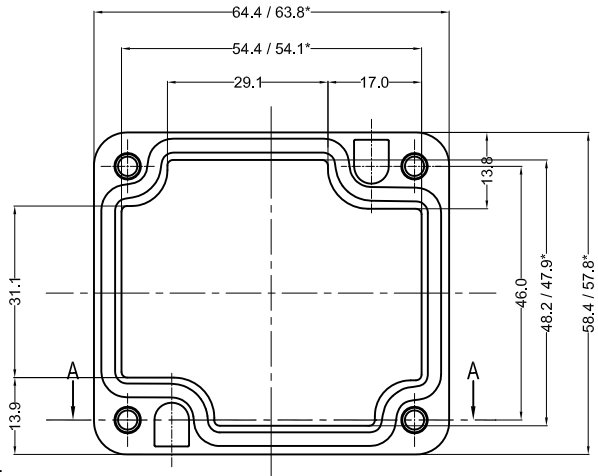
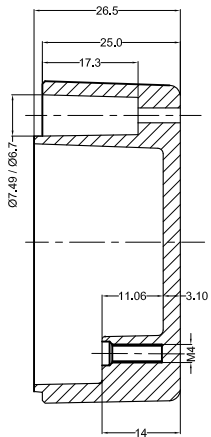
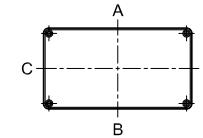
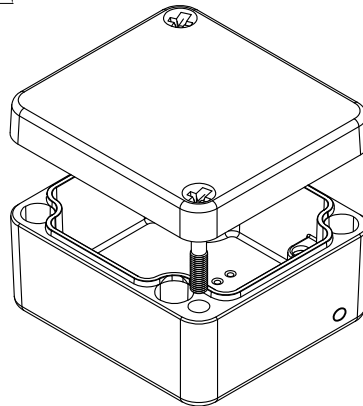


LID

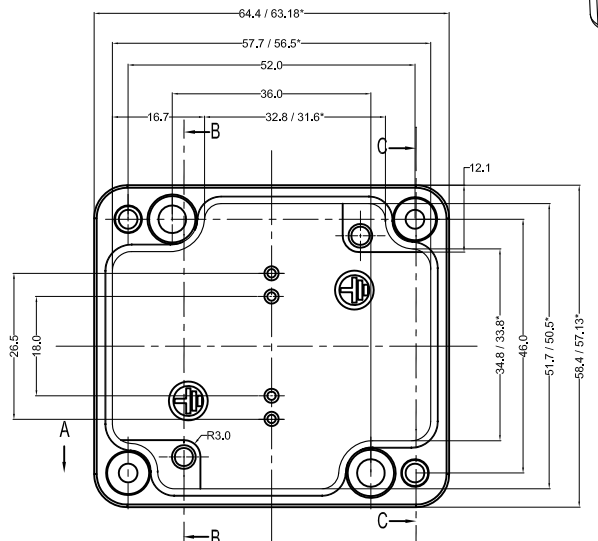
Cylinder Screw  
M4 x 20/7 similar to DIN 84



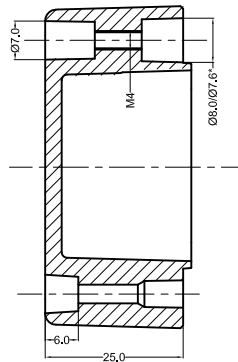
SECTION A-A



SECTION B-B



BASE




SECTION C-C

SR.NO.	PART NAME	DRAWING NO.	MATERIAL	QTY
5	SILICON GASKATE	JB-02GSK-02	SILICON	1
4	JB EXTERNAL EARTHING SET	-	AISI 304	1
3	LID MOUNTING SCREW	M4 JB-SCR-LD-00	AISI 304	4
2	JB-EARTHING SCREW	-	MS COPPER PLATED	2
1	JUNCTION BOX Ex-58 x 64 x 34	Ex-586434	AISI 12	1

B.O.M.

**GENERAL SPECIFICATION AND AREA CLASSIFICATION:**

1. MATERIAL COMPOSITION - AISI 12
2. DEGREE OF PROTECTION IP66 AS PER IEC 60529 : 1989 +A1 : 2000
3. SERVICE TEMPERATURE RANGE : - 50 °C to +135 °C
4. ALL DIMENSIONS ARE IN mm. UNLESS STATED OTHERWISE.
5. SURFACE WILL PLAIN FINISH OR POWDER COATED.(RAL-7001)
6. THE JUNCTION BOX WILL BE MARKED WITH
7.  II 2 G Ex e IIC Gb  
II 2 D Ex tb IIC Db IP 66  
**0539**  
DEMKO 13 ATEX 1327771U  
IECEx UL 13.0042U

8. TRADE MARK



NOT TO BE REVISED WITHOUT NOTIFICATION TO THE ExCB/NOTIFIED BODY

Opening Detail (Size)	NO OF HOLES SIDE A/B	Min. Distance between the opening for Side A/B (mm)	NO OF HOLES SIDE C/D	Min. Distance between the opening for Side C/D (mm)	Opening Detail (Size) PG	NO OF HOLES SIDE A/B	Min. Distance between the opening for Side A/B (mm)	NO OF HOLES SIDE C/D	Min. Distance between the opening for Side C/D (mm)	Min. Distance of last opening from the enclosure end on side A/B (mm)	Min. Distance of last opening from the enclosure end on side C/D (mm)
M12	2	7	1	-	Pg.7	2	6	1	-	13	20
M16	-	-	-	-	Pg.9	1	-	1	-	16	21
M20	-	-	-	-	Pg.11	-	-	-	-	-	-
M25	-	-	-	-	Pg.13.5	-	-	-	-	-	-
M32	-	-	-	-	Pg.16	-	-	-	-	-	-
M40	-	-	-	-	Pg.21	-	-	-	-	-	-
M50	-	-	-	-	Pg.29	-	-	-	-	-	-
M63	-	-	-	-	Pg.36	-	-	-	-	-	-
-	-	-	-	-	Pg.42	-	-	-	-	-	-
-	-	-	-	-	Pg.48	-	-	-	-	-	-

QUANTITY	MATERIAL :-	MACH.NAME	DATE	SIGN	NAME
-	AISI12 Din230	-	17/2/14		RRPL DESIGN
			17/02/14		MANOJ DRAWN
					G.K. CHECKED
					J.B. APPROVED

TOLERANCE	DIMENSIONS	HOLES	ANGLES	SCALE	PARTNO.
±0.2	±0.2	±0.2	±1.0°	0	0

ALL DIMENSION ARE IN MM

Raychem RPG (P) Limited  
Ceat Mahal Annexe,  
Dr. Annie Besant Road,  
Worli, Mumbai 400030  
Web : www.raychemrpg.com

REV 0  
DRG. NO. Ex-AJB-586434

PROPERTY OF RaychemRPG (P) LTD.  
ALL RIGHTS RESERVED AND/OR PHOTOCOPYING THIS DOCUMENT  
TO A PERSON WITHOUT RaychemRPG (P) LTD. WRITTEN AUTHORIZATION IS PROHIBITED