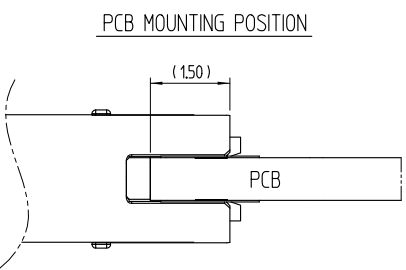
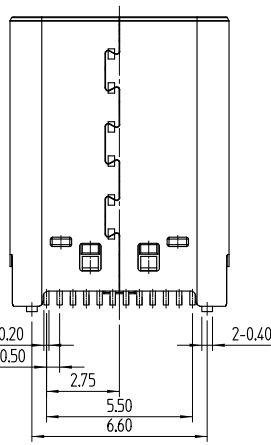
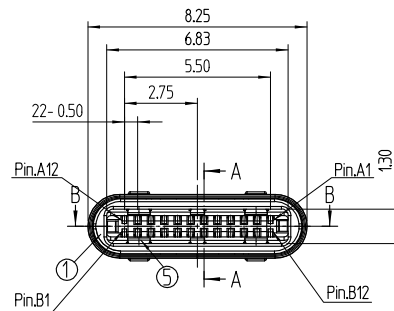
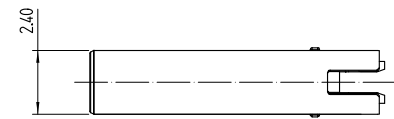
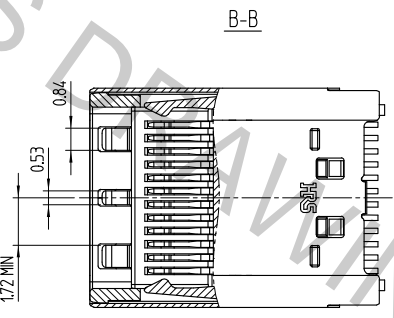
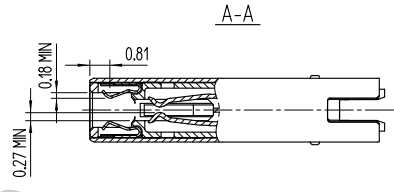
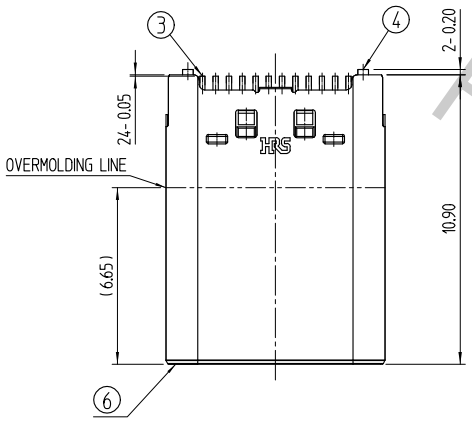


May.1.2018 Copyright 2018 HIROSE ELECTRIC CO., LTD. All Rights Reserved.
 In case of consideration for using Automotive equipment /
 device which demand high reliability, kindly contact our sales window correspondents.

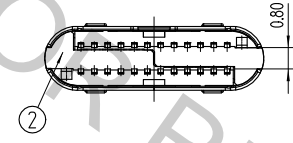
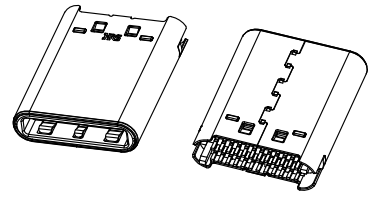
△數 COUNT	訂正事項 DESCRIPTION OF REVISIONS	擔當 B	檢圖 CHKD	年月日 DATE	△數 COUNT	訂正事項 DISCRPTION OF REVISIONS	擔當 B	檢圖 CHKD	年月日 DATE
△	- Revised	PJS	LHJ	16. 04. 15	△	- Revised	PJS	LHJ	16. 07. 25
△	- Revised	PJS	LHJ	16. 05. 12	△	- Revised	PJS	KHJ	16. 11. 11
△	- Revised	PJS	LHJ	16. 06. 16	△				



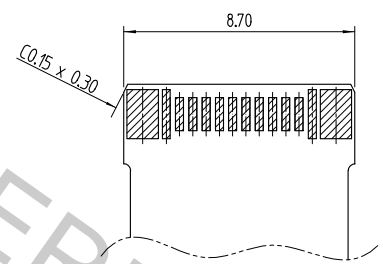
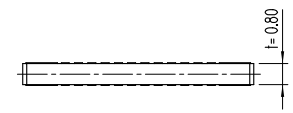
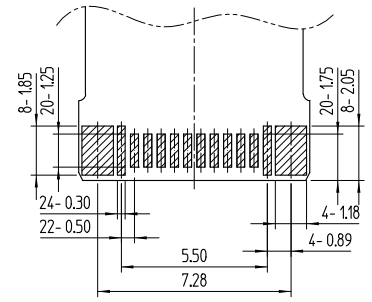
USB Type-C Plug Interface(Front View)

A12	A11	A10	A9	A8	A7	A6	A5	A4	A3	A2	A1
GND	RX2+	RX2-	Vbus	SBU1	D-	D+	CC	Vbus	TX1-	TX1+	GND
GND	TX2+	TX2-	Vbus	VCONN			SBU2	Vbus	RX1-	RX1+	GND
B1	B2	B3	B4	B5	B6	B7	B8	B9	B10	B11	B12

ISO-VIEW(IN/S)



RECOMMENDED PCB LAY OUT
(General Tolerance : ±0.05)



(NOTE) 1 GENERAL TOLERANCE : ±0.2
 2 PACKING : 150 UNIT / TRAY

3	COPPER ALLOY	Gold Plating	6	STAINLESS STEEL	Nickel
2	LCP	UL94-V0, COLOR BLACK	5	STAINLESS STEEL	Nickel
1	PA	UL94-V0, COLOR BLACK	4	STAINLESS STEEL	Nickel
NO.	MATERIAL	FINISH,REMARKS	NO.	MATERIAL	FINISH,REMARKS

REMARK	DRAWN	DESIGNED	CHECKED	APPROVED	RELEASED
	J.S.PARK	J.S.PARK	H.J.LEE	T.S.KANG	DEPT 17.09.04 ENG
	16.04.15	16.04.15	16.04.15	16.04.15	

DRAWING NO.	PART NO.
ADC3-631979	CX60-24S-UNIT
SCALE	CODE NO
5:1	CL6240-0001-9
UNITS	
mm	

HRS HIROSE KOREA CO.,LTD.

1/1