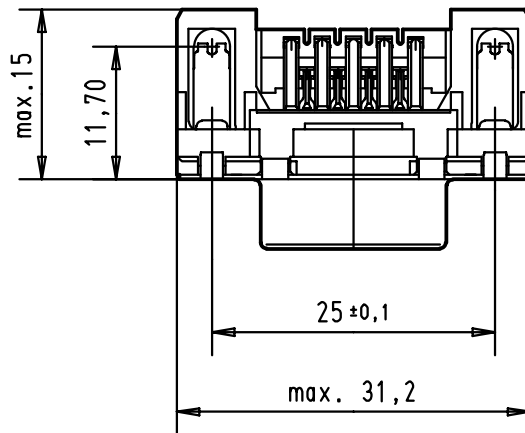
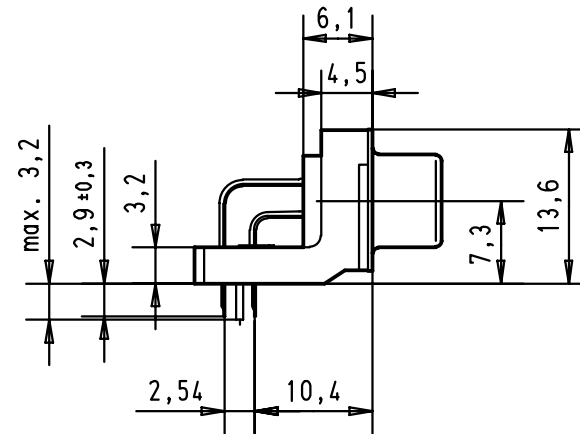
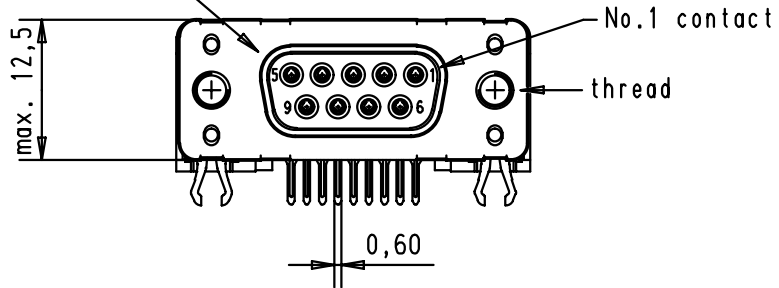
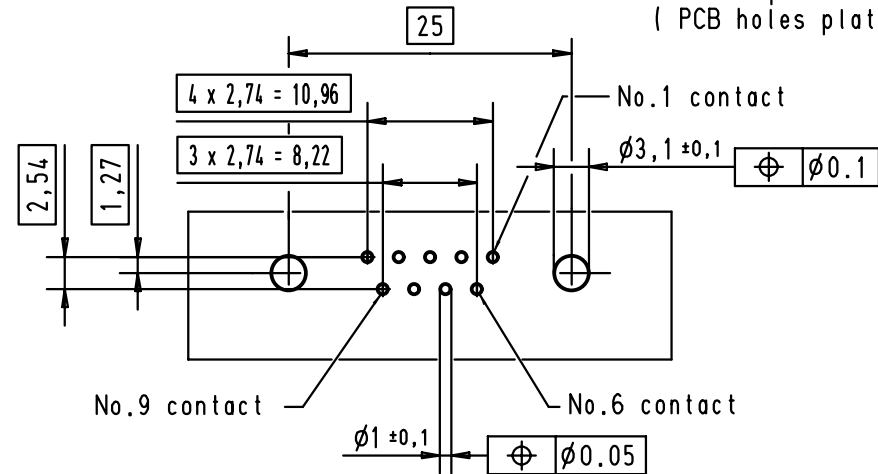


5 4 3 2 1

Mating face according to : MIL-C-24308 / DIN 41652 / CECC 75301-802



PCB layout hole
component side
(PCB holes plating : Tin)



Connector retention and insertion forces on the PCB = 25 / 80 newtons

09 66 152 6611	M 3	2			
09 66 152 7611	M 3	3			
09 66 152 5611	M 3	0.76 μm Au			
09 66 152 6612	4-40 UNC	2			
09 66 152 7612	4-40 UNC	3			
09 66 152 5612	4-40 UNC	0.76 μm Au	27957	20/nov/00	jfb
Part number	Nut thread	Performance level	Mod.	Dat.	Name

	Dat.	Name
Detail.	20/nov/00	jfb
Insp.		
Stand.		

All Dim. in mm
Orig. Size DIN A 4

HARTING EURL
F-95972 Paris



All Dim. in mm
Orig. Size DIN A 4



D-Sub 09 poles standard angle female, solder pin with nut and grounding board lock.

Maßstab/
Scale

1.5:1

TB 0966152x61x

Blatt/ Page

5 / 6

Sub.