

PART NO. AND CH. CODE	W1	H1	W2	H2	L	APPLICABLE WIRE SIZE
7114-7386-02	2.60	(2.35)	3.70	(2.90)	9.00	△ CIVUS 0.35sq~CAVS 0.50sq
7114-7387-02	3.15	(2.90)	4.20	(3.50)	9.00	△ CIVUS 0.75sq~CAVS 1.25sq AVS 0.85sq, ALVUS 0.75sq~1.00sq
7114-7388-02	4.20	(3.30)	4.50	(3.75)	9.90	△ AVSS 2.00sq ALVUS 1.50sq~ALVSS 2.50sq
7114-7531-02	1.70	(1.80)	2.35	(2.45)	9.00	△ CIVUS 0.13sq~CHFUS 0.22sq

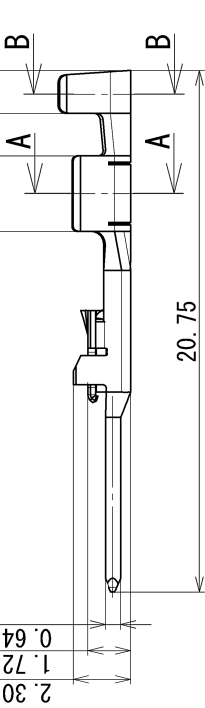
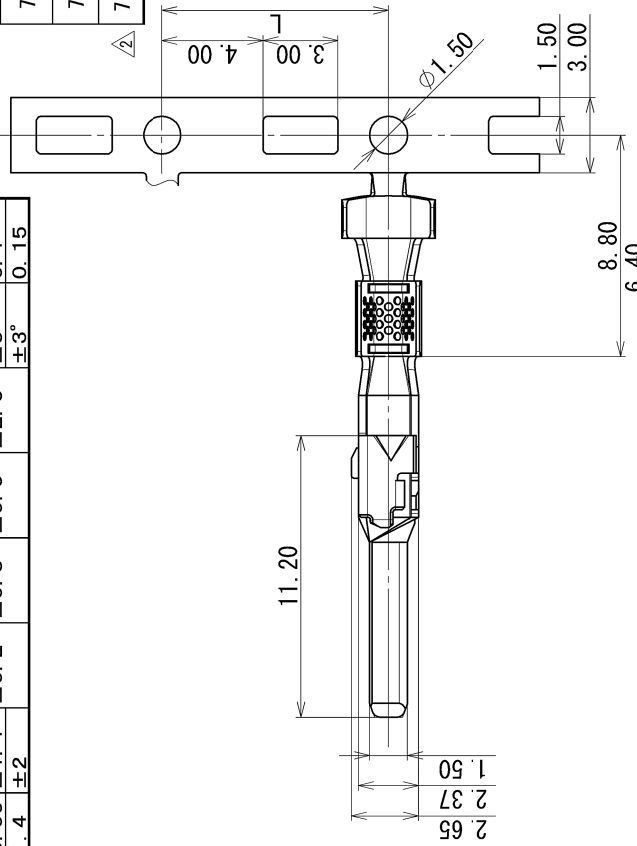
注記

- 1. 相手端子品番 : 7116-7389-02 ETC.
- 2. 適用電線サイズ : 表参照
- 3. 2.5sq加締め部を樹脂で覆う場合は適用外とする。

NOTES

- 1. FEMALE COUNTERPART NO. : 7116-7389-02 ETC.
- 2. APPLICABLE WIRE SIZE : SEE TABLE
- 3. NOT APPLICABLE IF CRIMPED PART WITH 2.5sq WIRE IS COVERED WITH RESIN.

	GENERAL TOLERANCE									
	10 MAX	50 MAX	100 MAX	250 OVR	R5 MAX	R10 MAX	R20 MAX	R20 OVR	ANGLE	ECCENT
A	±0.15	±0.2	±0.3	±0.5	±0.75	±0.3	±0.5	±2.5	±3°	0.1
B	±0.2	±0.3	±0.55	±0.95	±1.4	±0.2	±0.3	±2.5	±3°	0.1
◎	±0.3	±0.5	±0.8	±1.4	±2				±3°	0.15



SEC. A-A

SEC. B-B

LET	DATE	REVISION RECORD	NO.	CHKD
△	2017/03/22	CHANGED APPLICABLE WIRE SIZE ETC.	C17-P067	Y.H
△	2016/07/27	ADDED APPLICABLE WIRE SIZE	C16-P319	T.M
△	2013/01/31	DELETED PART NO. ETC.	C13-2051	E.O
△	2012/12/07	ADDED PART NO. ETC.	C12-Z942	E.O
△	2012/05/25	CHANGED APPLICABLE WIRE SIZE ETC	C12-Z463	J.C
△	2011/12/20	NEW	C11-Z712	T.F

GENERAL TOLERANCE		10MAX	50MAX	100MAX	250MAX	250OVR	ANGLE	ECCENT
A	±0.15	±0.2	±0.3	±0.5	±0.75	±30'	0.1	
B	±0.2	±0.3	±0.55	±0.95	±1.4	±30'	0.1	
C	±0.3	±0.5	±0.8	±1.4	±2	±30'	0.15	

CUSTOMER	CUSTOMER PART NO.	CUSTOMER DWG NO.	MATL. SPEC.	TREAT. & FIN.	ISSUE MARK
OFFICE	TRIAL PART NO.		BRASS (t=0.3) TIN PLATING		
VENDOR			NAME	060 TERMINAL MALE	
VENDOR NO.			PART NO.	7114-7386-02 ETC.	
DWG TYPE	DWG DATE	UNIT	CH. CODE		SET DWG NO.
R	2011/12/20	mm			
APPROVED	CHECKED	DESIGN	DRAWN		
T. MATSUNAGA		K. MATSUMURA	Y. HANAI		
2017/03/22		2011/09/11	2017/03/22		

YAZAKI CORPORATION

Mouser Electronics

Authorized Distributor

Click to View Pricing, Inventory, Delivery & Lifecycle Information:

Yazaki:

[7114738602](#)