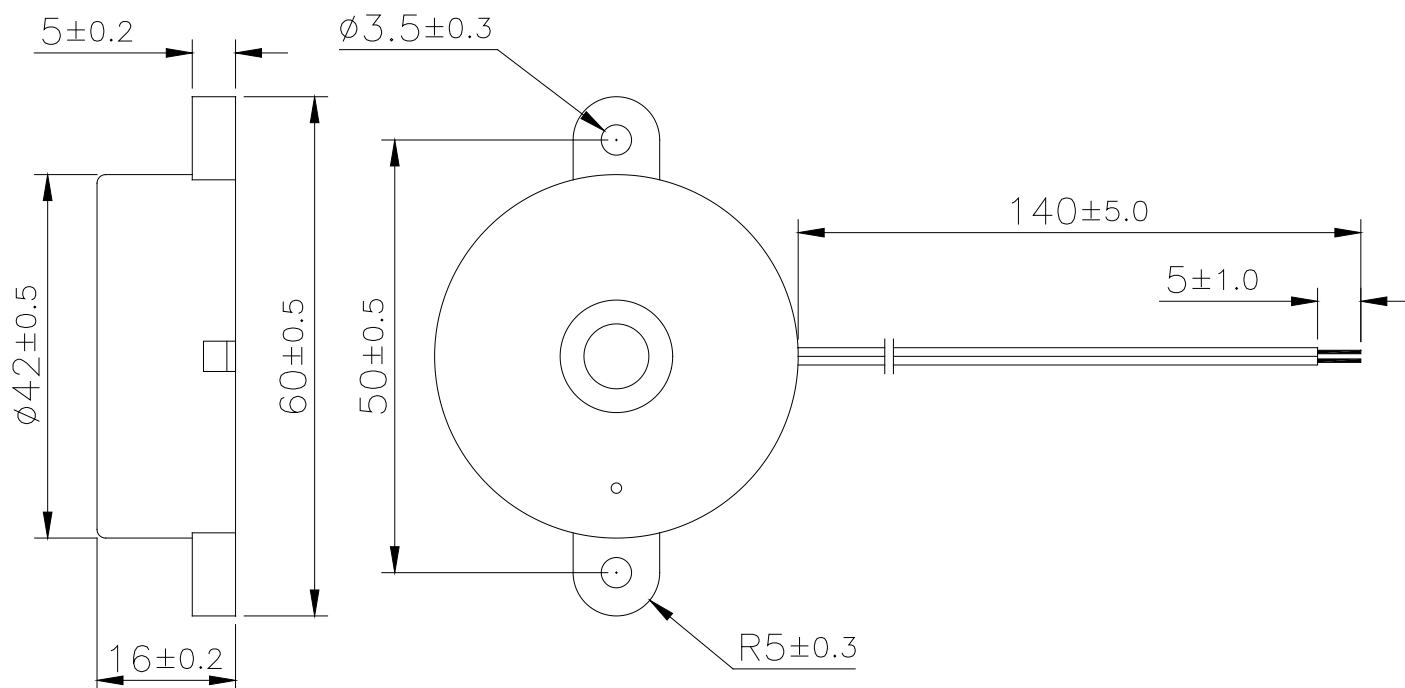


**Sales Outline Drawing**Revision **C**

**May not be suitable for all Medical and Aerospace applications.  
Contact Mallory Sonalert to discuss your application.**

Oscillation Frequency (Hz)	2900 ± 500
Operating Voltage (Vdc)	22 ~ 28
Rated Voltage (Vdc)	24
Current Consumption (mA/max)	12 at Rated Voltage
Sound Pressure Level (dB/min)	90 at 30cm at Rated voltage
Tone/Pulse Rate	Constant
Operating Temperature (°C)	-20 ~ +70
Storage Temperature (°C)	-30 ~ +80
Housing	ABS 777D plastic resin (Color: Black)
Lead Wires	28 AWG RED & BLACK
Weight (Grams)	12.4
Options	For other options contact factory

**Dimensions:** (units: mm)**ROHS Compliant**

# Mouser Electronics

Authorized Distributor

Click to View Pricing, Inventory, Delivery & Lifecycle Information:

[Mallory Sonalert:](#)

[PK-35N29W-24VQ](#)