

L-934SEx SUPER BRIGHT ORANGE

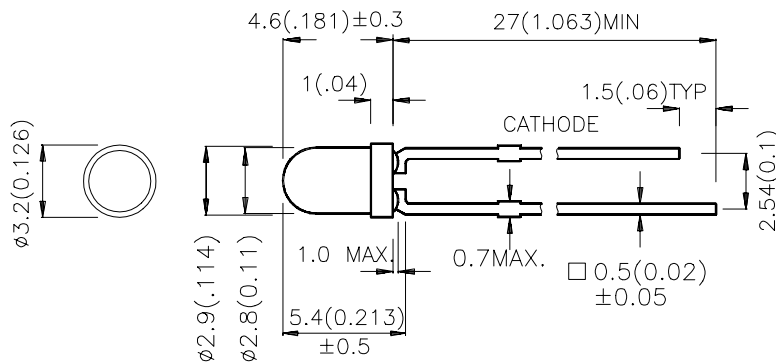
Features

- ULTRA BRIGHTNESS.
- BOTH DIFFUSED AND WATER CLEAR LENS ARE AVAILABLE.
- OUTSTANDING MATERIAL EFFICIENCY.
- RELIABLE AND RUGGED.
- IC COMPATIBLE/LOW CURRENT CAPABILITY.

Description

The Super Bright Orange source color devices are made with DH InGaAlP on GaAs substrate Light Emitting Diode.

Package Dimensions



Notes:

1. All dimensions are in millimeters (inches).
2. Tolerance is $\pm 0.25(0.01)$ unless otherwise noted.
3. Lead spacing is measured where the lead emerge package.
4. Specifications are subject to change without notice.

Selection Guide

| Part No. | Dice | Lens Type | Iv (mcd) @ 20 mA | | Viewing Angle |
|----------|-------------------------------|--------------------|---------------------|------|------------------|
| | | | Min. | Typ. | 2θ1/2 |
| L-934SEC | SUPER BRIGHT ORANGE (InGaAlP) | WATER CLEAR | 500 | 1300 | 50° |
| L-934SET | | ORANGE TRANSPARENT | 500 | 1300 | 50° |
| L-934SED | | ORANGE DIFFUSED | 300 | 800 | 60° |

Note:

1. θ1/2 is the angle from optical centerline where the luminous intensity is 1/2 the optical centerline value.

Electrical / Optical Characteristics at T_A=25°C

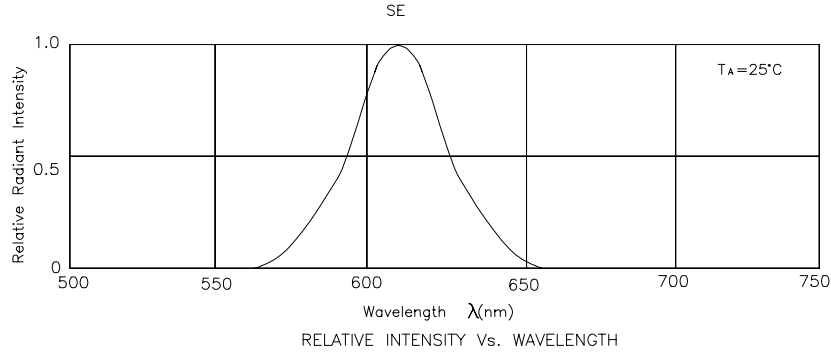
| Symbol | Parameter | Device | Typ. | Max. | Units | Test Conditions |
|-------------------|-------------------------|---------------------|------|------|-------|-----------------|
| λ _{peak} | Peak Wavelength | Super Bright Orange | 610 | | nm | IF=20mA |
| λ _D | Dominate Wavelength | Super Bright Orange | 601 | | nm | IF=20mA |
| Δλ _{1/2} | Spectral Line Halfwidth | Super Bright Orange | 29 | | nm | IF=20mA |
| C | Capacitance | Super Bright Orange | 30 | | pF | VF=0V;f=1MHz |
| V _F | Forward Voltage | Super Bright Orange | 2.0 | 2.5 | V | IF=20mA |
| I _R | Reverse Current | Super Bright Orange | | 10 | uA | VR = 5V |

Absolute Maximum Ratings at T_A=25°C

| Parameter | Super Bright Orange | Units |
|-------------------------------|---------------------|-------|
| Power dissipation | 75 | mW |
| DC Forward Current | 30 | mA |
| Peak Forward Current [1] | 195 | mA |
| Reverse Voltage | 5 | V |
| Operating/Storage Temperature | -40°C To +85°C | |
| Lead Solder Temperature [2] | 260°C For 5 Seconds | |

Notes:

1. 1/10 Duty Cycle, 0.1ms Pulse Width.
2. 4mm below package base.



Super Bright Orange L-934SEC,L-934SET,L-934SED

