

PLEASE CHECK WWW.MOLEX.COM FOR LATEST PART INFORMATION

Part Number: [2035552124](#)
Status: **Active**
Overview: CP Wire-to-Board and Wire-to-Wire Connector Systems
Description: CP-6.5 Header, 6.50mm Pitch, Dual Row, Right-Angle, Polarized, Surface Mount, Tape and Reel Packaging, 4 Circuits, Black

Documents:

[3D Model](#) [Test Summary 2035550001-TS-000 \(PDF\)](#)
[Drawing \(PDF\)](#) [RoHS Certificate of Compliance \(PDF\)](#)
[Product Specification 2035550001-PS-000 \(PDF\)](#)

Agency Certification

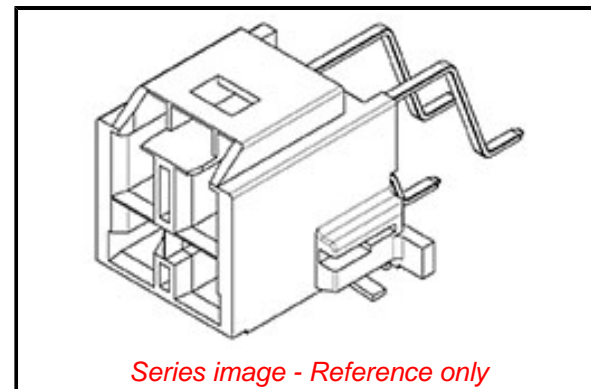
UL E29179

General

Product Family PCB Headers
Series [203555](#)
Application Power, Wire-to-Board
CURRENT-MAX-NUMERIC 11.8
Comments See Product Specification for maximum current rating by circuit size and wire AWG, See Product Specification for maximum current rating by circuit size and wire AWG
Datasheet Order No 987651-1601
Overview [CP Wire-to-Board and Wire-to-Wire Connector Systems](#)
PITCH-MATING-NUMERIC 6.50
Product Name CP-6.5
UPC 191130538607

Physical

Breakaway No
Circuits (Loaded) 4
Circuits (maximum) 4
Color - Resin Black
Durability (mating cycles max) 30
First Mate / Last Break No
Flammability 94V-0
Glow-Wire Capable No
Guide to Mating Part No
Keying to Mating Part Yes
Lock to Mating Part Yes
Material - Metal Copper Alloy
Material - Plating Mating Matte Tin
Material - Plating Termination Matte Tin
Material - Resin Nylon
Net Weight 3.121/g
Number of Rows 2
Orientation Right Angle
PCB Locator Yes
PCB Retention Yes
Packaging Type Embossed Tape on Reel
Pitch - Mating Interface 6.50mm
Pitch - Termination Interface 6.50mm
Plating min - Mating 1.270µm
Plating min - Termination 1.270µm
Polarized to Mating Part Yes
Polarized to PCB Yes
Temperature Range - Operating -40° to +105°C



Series image - Reference only

EU ELV

Not Relevant

EU RoHS

Compliant

REACH SVHC

Not Contained Per
-ED/88/2018 (15
January 2019)

Halogen-Free

Status

Not Low-Halogen

For more information, please visit [Contact US](#)

China ROHS

ELV

RoHS Phthalates

China RoHS

Green Image

Not Relevant

Not Contained

Search Parts in this Series

[203555 Series](#)

Mates With

CP-6.5 Receptacle Housing [1512072406](#)

Termination Interface: Style

Surface Mount

Electrical

Current - Maximum per Contact

11.8A

Voltage - Maximum

600V AC (RMS)/DC

Material Info

Reference - Drawing Numbers

Product Specification

2035550001-PS-000

Sales Drawing

2035552000-SD-000

Test Summary

2035550001-TS-000

This document was generated on 09/25/2019

PLEASE CHECK WWW.MOLEX.COM FOR LATEST PART INFORMATION