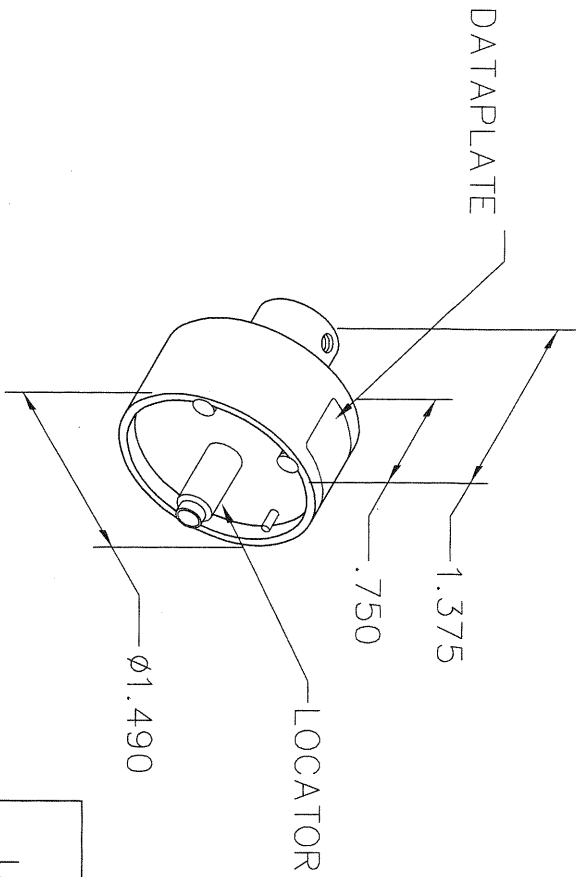


REVISIONS				
REV. SYM.	E.C.O. NUMBER	DESCRIPTION	BY DATE	APP'D DATE
2		REDESIGNED POS.	AAM 6-5-95	DE 6-5-95
3		Ø.147 WAS Ø.076	AAM 7-13-00	RRR 7-13-00

**UNCONTROLLED DOCUMENT
WILL NOT BE UPDATED**

DIMENSIONS IN INCHES - UNLESS OTHERWISE SPECIFIED



USE FOR 70 SERIES CENTER PIN		MIL-C-17/176-00002	WIRE
TROMPETER P/N 010-0044		FSCM 14949	SEL. NO.

DATAPLATE

LOCATOR	LOCATOR
HOLE DIMENSIONS	ADDITIONAL FEATURES
Ø.042 ↕ 1.21 MIN.	L └─┘ Ø.147 ↕ .058


RESTRICTED & CONFIDENTIAL

CONFIDENTIAL PROPERTY OF DANIELS MANUFACTURING CORP. NOT TO BE DISCLOSED TO OTHERS, REPRODUCED OR USED FOR ANY OTHER PURPOSE, EXCEPT AS AUTHORIZED IN WRITING BY DANIELS MANUFACTURING. MUST BE RETURNED TO DANIELS MANUFACTURING CORP. ON COMPLETION OF ORDER OR OTHER PURPOSE FOR WHICH LENT.

DO NOT SCALE DRAWING

DRN.	TS	DATE	10-24-89
CHK'D.	DH	DATE	10-24-89
APP'D.	AAM	DATE	10-24-89
APP'D.		DATE	

NOTE: THIS DRAWING IS AN OUTLINE DRAWING OF THE RESPECTIVE DMC PART NUMBER INDICATED. ACTUAL DMC PART NUMBER IS DRAWING NUMBER WITHOUT THE "-ENV" SUFFIX.


DANIELS MANUFACTURING CORP.
 ORLANDO, FLORIDA
 CAGE 11851

TITLE
ENVELOPE DRAWING
SINGLE POSITION HEAD

WHERE USE AF8

SIZE	SCALE	CAD P/N	SHEET	OF
A	NONE	TP837-ENV	1	1
POSTING		DWG. NO.		REV.
		TP837-ENV		3

Mouser Electronics

Authorized Distributor

Click to View Pricing, Inventory, Delivery & Lifecycle Information:

[Daniels Manufacturing:](#)

[TP837](#)