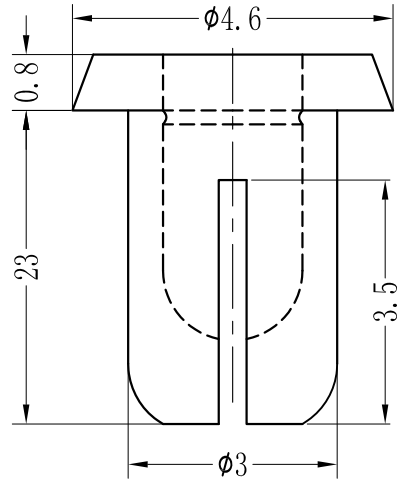


DO NOT SCALE DRAWING

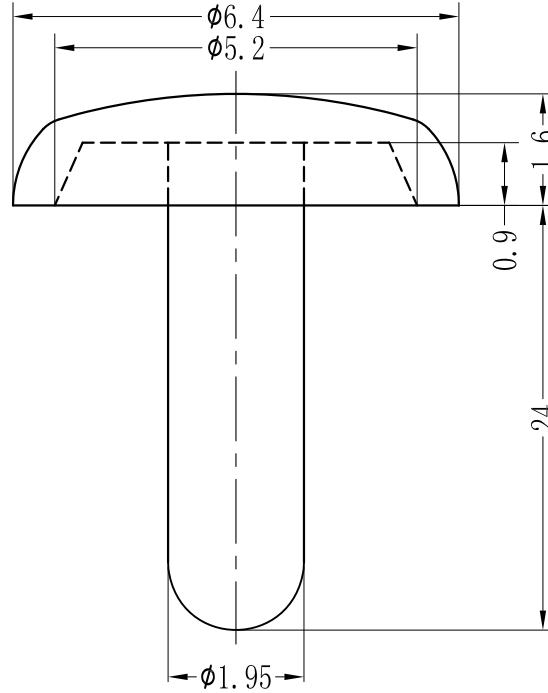
REVISIONS

ZONE	REV.	DESCRIPTION	DATE	APPROVED
	A	DRAWN	12-02-2015	

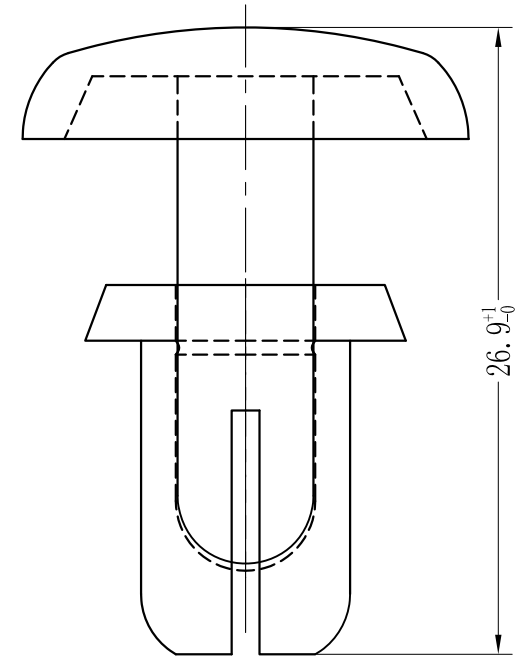
Body



Pin



Assembly



NOTES :

ALSO AVAILABLE IN FLAME RETARDANT NYLON ( PA6 UL94V-0 )  
Hole:  $\varnothing$  3.1-3.2mm; Panel Thickness:20.5-21.5mm



DESIGN RIGHT. TR FASTENINGS LTD. 2003  
UNDER NO CIRCUMSTANCES MUST THIS  
DRAWING BE COPIED OR DISCLOSED,  
WITHOUT FIRST OBTAINING WRITTEN  
AUTHORITY.

UNLESS OTHERWISE SPECIFIED:  
DIMENSIONS ARE IN MILLIMETERS.  
SURFACE FINISH:  
TOLERANCES:  
L $\leq$ 4 =  $\pm$ 0.1 4<L $\leq$ 15 =  $\pm$ 0.2  
15<L $\leq$ 50 =  $\pm$ 0.3 50<L $\leq$ 100 =  $\pm$ 0.4

NAME	DATE
DRAWN MARTIN ELLIOTT	12/02/2015
CHK'D	
APP'VD	

CUSTOMER PART NO.

MATERIAL

PA6 UL94V-2 RoHS COMPLIANT

HEAT TREATMENT

N/A

FINISH

BLACK OR WHITE

TITLE

SNAP RIVET

DWG NO.

TRSR3230

A3

