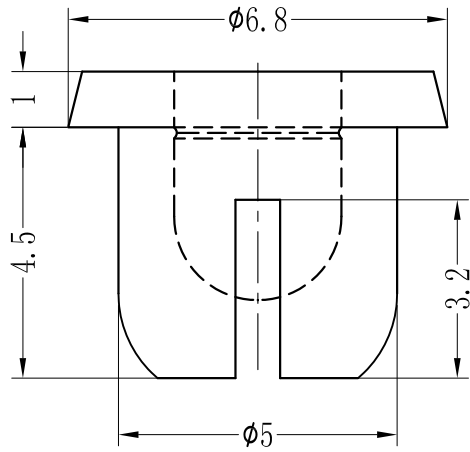


DO NOT SCALE DRAWING

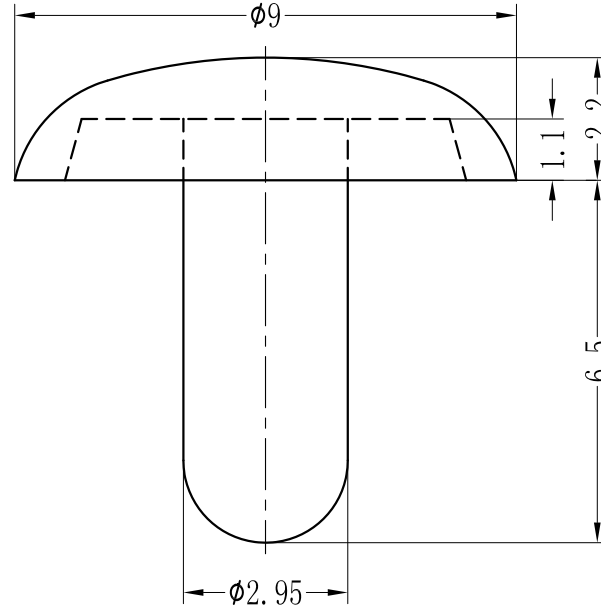
REVISIONS

ZONE	REV.	DESCRIPTION	DATE	APPROVED
	A	DRAWN	12-02-2015	

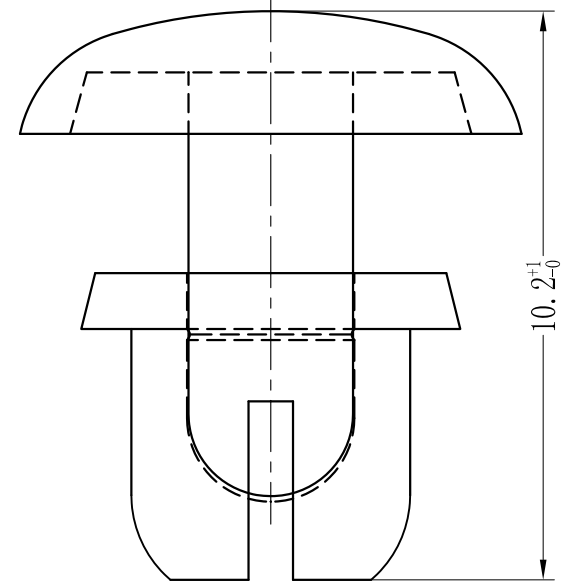
Body



Pin



Assembly



NOTES :

ALSO AVAILABLE IN FLAME RETARDANT NYLON ( PA6 UL94V-0 )  
 Hole:  $\phi$  5.1-5.2mm; Panel Thickness: 1.5-2.5mm



UNLESS OTHERWISE SPECIFIED:  
 DIMENSIONS ARE IN MILLIMETERS.  
 SURFACE FINISH:  
 TOLERANCES:  
 $L \leq 4 = \pm 0.1$   $4 < L \leq 15 = \pm 0.2$   
 $15 < L \leq 50 = \pm 0.3$   $50 < L \leq 100 = \pm 0.4$

NAME	DATE
DRAWN MARTIN ELLIOTT	12/02/2015
CHK'D	
APP'VD	

MATERIAL  
 PA6 UL94V-2 RoHS COMPLIANT

HEAT TREATMENT  
 N/A

FINISH  
 BLACK OR WHITE

TITLE  
 SNAP RIVET

DESIGN RIGHT. TR FASTENINGS LTD. 2003  
 UNDER NO CIRCUMSTANCES MUST THIS  
 DRAWING BE COPIED OR DISCLOSED,  
 WITHOUT FIRST OBTAINING WRITTEN  
 AUTHORITY.

CUSTOMER PART NO.

DWG NO.  
 TRSR5045

A3