

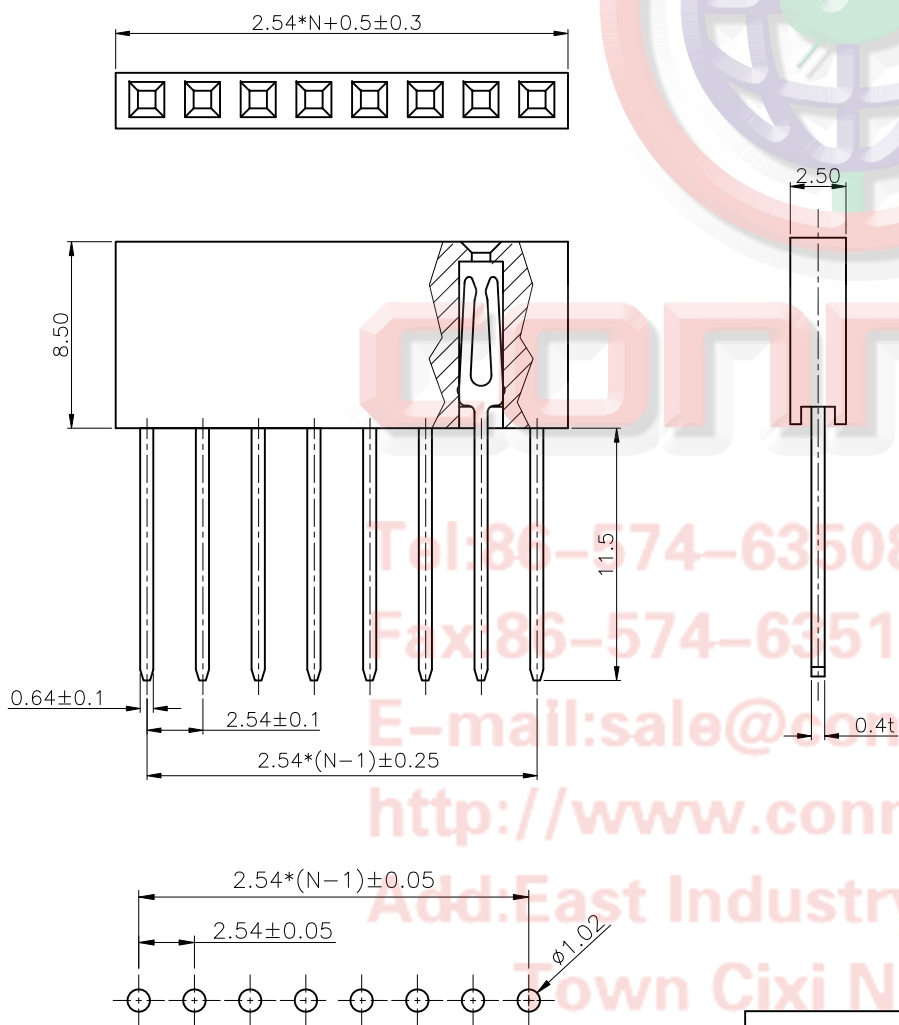
REV.	DESCRIPTION	DRAWN	CHECKED	APPROVED
A	NEW RELEASE	JLZ 12/24/16'		

NOTES:

- Material:  
Insulator: PBT With glass fiber. UL94 V-0.  
Contact: Copper alloy.
- Electrical performance  
Contact resistance: 20mΩ maximum.  
Insulation resistance: 1000MΩ minimum.  
Dielectric withstanding voltage: 500V AC(r.m.s) per 60s.
- Environment performance:  
Temperature range: -40°C~+105°C.
- Product number code:

DS1023-30 - X X X X - N - 084

- Profile Height: 1:8.50mm
- Contact plating:  
2: Gold flash + Nickel  
F1: Full gold flash
- Mounting Type:  
S: Straight type
- No. of positions:  
1\*2 ~ 1\*40



Tel: 86-574-63508787  
 Fax: 86-574-63510817  
 E-mail: sale@connfly.com  
 http://www.connfly.com  
 Add: East Industry Zone KuangYan  
 Town Cixi Ningbo China  
 P.O: 315333

GENERAL TOLERANCE		ANGLE TOLERANCE	
.X	±0.60	.X	±5°
.X	±0.38	.X	±3°
.XX	±0.25	.XX	±2°
DRAWING TYPE		CUSTOMER	
SCALE	1:1	SHEET	1 OF 1
DRAWING NO.	C-DS1023-30-XXXX-N-084-A		

PROJECTION		TITLE	2.54mm Female Header Single Row
UNITS	mm		V/T Type Tail Length 11.5mm
SHEET SIZE	A4	SERIES	DS1023-30 SERIES

晨翔电子有限公司  
**CONNFLY CONNFLY ELECTRONIC CO. LTD**