

# Accessories

## Adapter front bezel Details

### Dimensions / Details

#### Adapter front bezel, 60 x 50 mm [2.36 x 1.97"]

with screw mounting, incl. gasket  
for counters 48 x 24 mm [1.89 x 0.94"]

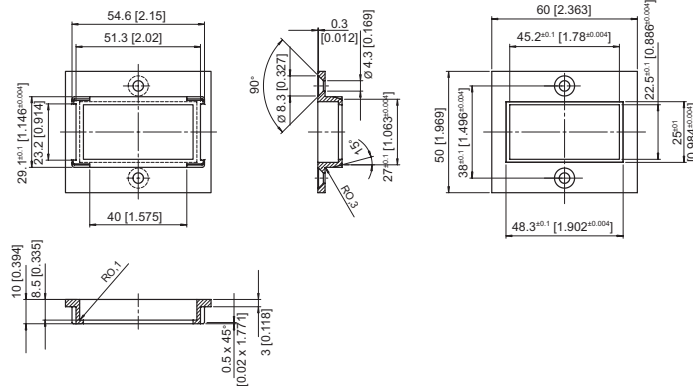


cut-out:

for cut-out 54 x 29 mm [2.13 x 1.14"]  
to cut-out 45 x 22.2 mm [1.77 x 0.94"]

suitable for:

Codix 13x, 14x, 52x, 53x, black  
W 15.5, W 16.5, W 17.5,  
H 37, H 37.5



Order-No.

**N003001**

#### Adapter front bezel, 48 x 48 mm [1.89 x 1.89"]

with clip mounting  
for counters 48 x 24 mm [1.89 x 0.94"]

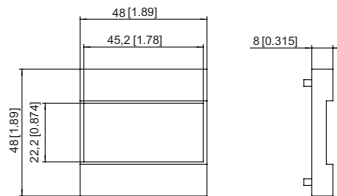


cut-out:

for cut-out 45 x 45 mm [1.77 x 1.77"]  
to cut-out 45 x 22.2 mm [1.77 x 0.94"]

suitable for:

Codix 13x, 14x, 52x, 53x, black  
W 15.5, W 16.5, W 17.5,  
H 37, H 37.5



Order-No.

**T008883**

#### Adapter front bezel, 55 x 55 mm [2.16 x 2.16"]

with clip mounting  
for counters 48 x 48 mm [1.89 x 1.89"]

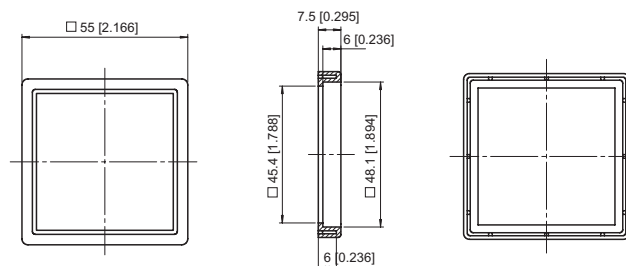


cut-out:

for cut-out 50 x 50 mm [1.97 x 1.97"]  
or Ø 50.5 mm [1.99"]  
to cut-out 45 x 45 mm [1.77 x 1.77"]

suitable for:

Codix 716 / 717, grey  
H 57, HC 77, HW 66, HW 66 M black



Order-No.

**T008170**

**T008171**

#### Adapter front bezel, 55 x 55 mm [2.16 x 2.16"]

with clip mounting  
for counters 48 x 48 mm [1.89 x 1.89"]

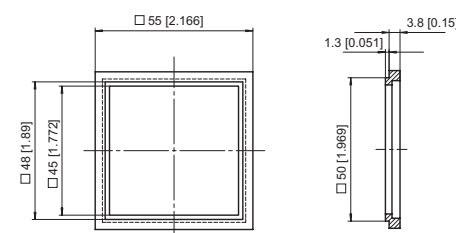


cut-out:

for cut-out 50 x 50 mm [1.97 x 1.97"]  
to cut-out 45 x 45 mm [1.77 x 1.77"]

suitable for:

901, Codix 716 / 717, black  
Codix 923 / 924, Codix 907 / 908,  
H 57, HC 77, HW 66



Order-No.

**T008853**