

APPROVAL SPECIFICATIONS

Title. IPX7 防水3.5耳机插座

Product Model. PJ-5410-CB1

Customer's Part NO.

Customer's Model:

Customer's Approval Requested.

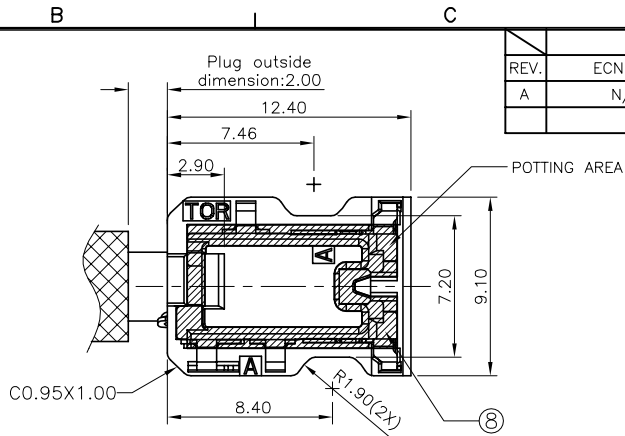
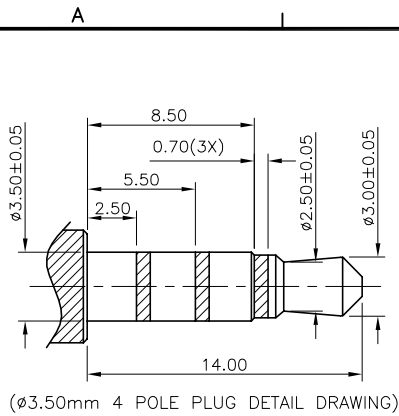
Please return this copy as a certification of your approval.

Checked by: _____ Date: _____

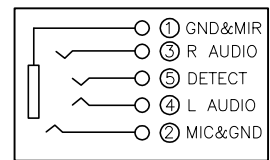
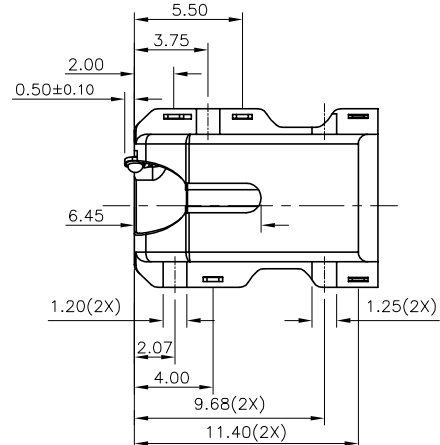
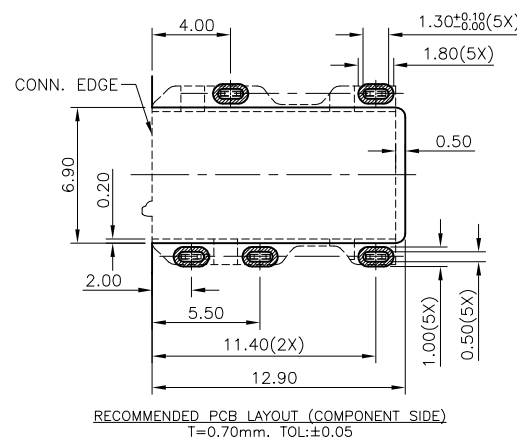
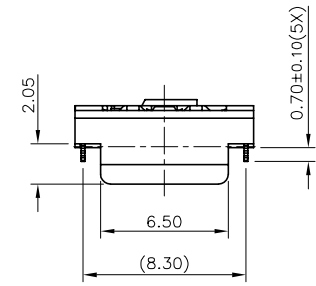
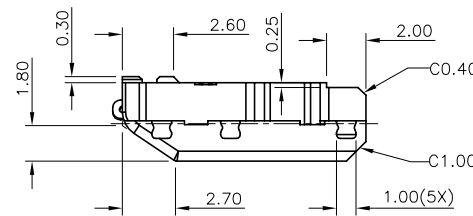
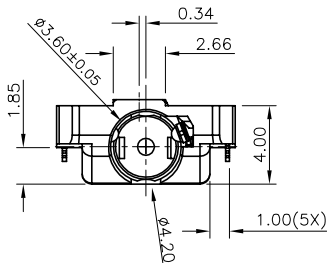
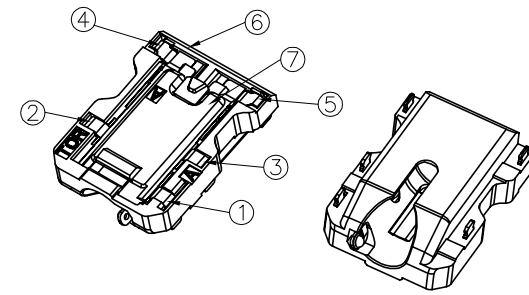
Approved by: _____ Date: _____

APPROVE	REVIEW	POLT
王凯	林永坚	陈旺

XUNPU ELECTRONICS CO.,LTD



REVISIONS					
REV.	ECN NO.	LOCATION	DESCRIPTION	DATE	DESIGN
A	N/A		INITIAL RELEASE		



- NOTES:
- CONTACT CURRENT RATING:1A;
 - CONTACT RESISTANCE:50mΩ MAX;
 - INSULATION RESISTANCE:100MΩ MIN;
 - DIELECTRIC WITHSTANDING:500V AC MIN;
 - DURABILITY:10,000CYCLES MIN.;
 - CONNECTOR MATING FORCES:19.6N(2.00KgFMax);
 - CONNECTOR UNMATING FORCES:
TEST BEFORE:4.9~19.6N (0.50~2.00KgF);
TEST AFTER:2.94~19.6N (0.30~2.00KgF);

01	CONTACT A	1 PCS	PHOSPHOR BRONZE , T=0.20	Au Plated
02	CONTACT B	1 PCS	PHOSPHOR BRONZE , T=0.20	Au Plated
03	CONTACT C	1 PCS	PHOSPHOR BRONZE , T=0.20	Au Plated
04	CONTACT D	1 PCS	STAINLESS STEEL, T=0.20	Au Plated
05	CONTACT E	1 PCS	STAINLESS STEEL, T=0.20	Au Plated
06	HOUSING	1 PCS	HIGH TEMPERATURE PLASTIC	BLACK COLOR, UL94 V-0
07	COVER	1 PCS	HIGH TEMPERATURE PLASTIC	BLACK COLOR, UL94 V-0
08	GLUEWATER	1 g	EPOXY EP EPOXY RESINS	BLACK COLOR
ITEM	PART NAME	Q'TY	MATERIAL	DESCRIPTION

This document is the property of GetWell development corporation.

東莞市訊普電子科技有限公司

Unless otherwise specified, Tolerance: X. ±0.30 X.x ±0.20 X.xx ±0.15 X.xxx ±0.10 Angles ±3°	DESIGN	DATE	TITLE: PHONE JACK CUSTOMER DRAWING	
	CHECKED	DATE	REV.: A	SCALE: 3:1
	APPROVED	DATE	SIZE: A4	SHEET: 1/1
	PART NO. PJ-5410-CB1		UNIT: mm	
	DRAWING NO.			