

APPROVAL SPECIFICATIONS

Title. IPX6 防水MICRO USB插座

Product Model. MU-0110

Customer's Part NO.

Customer's Model:

Customer's Approval Requested.

Please return this copy as a certification of your approval.

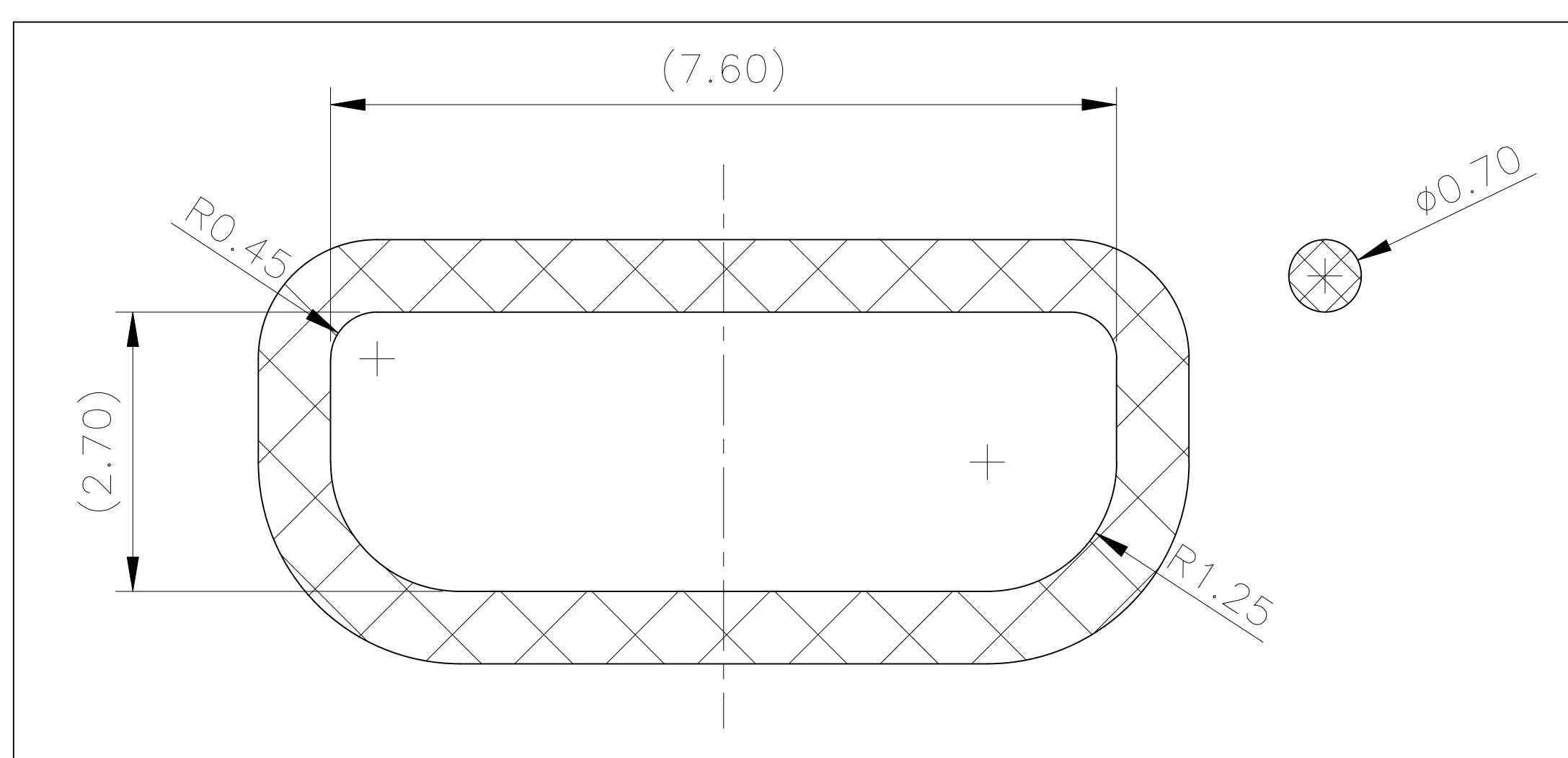
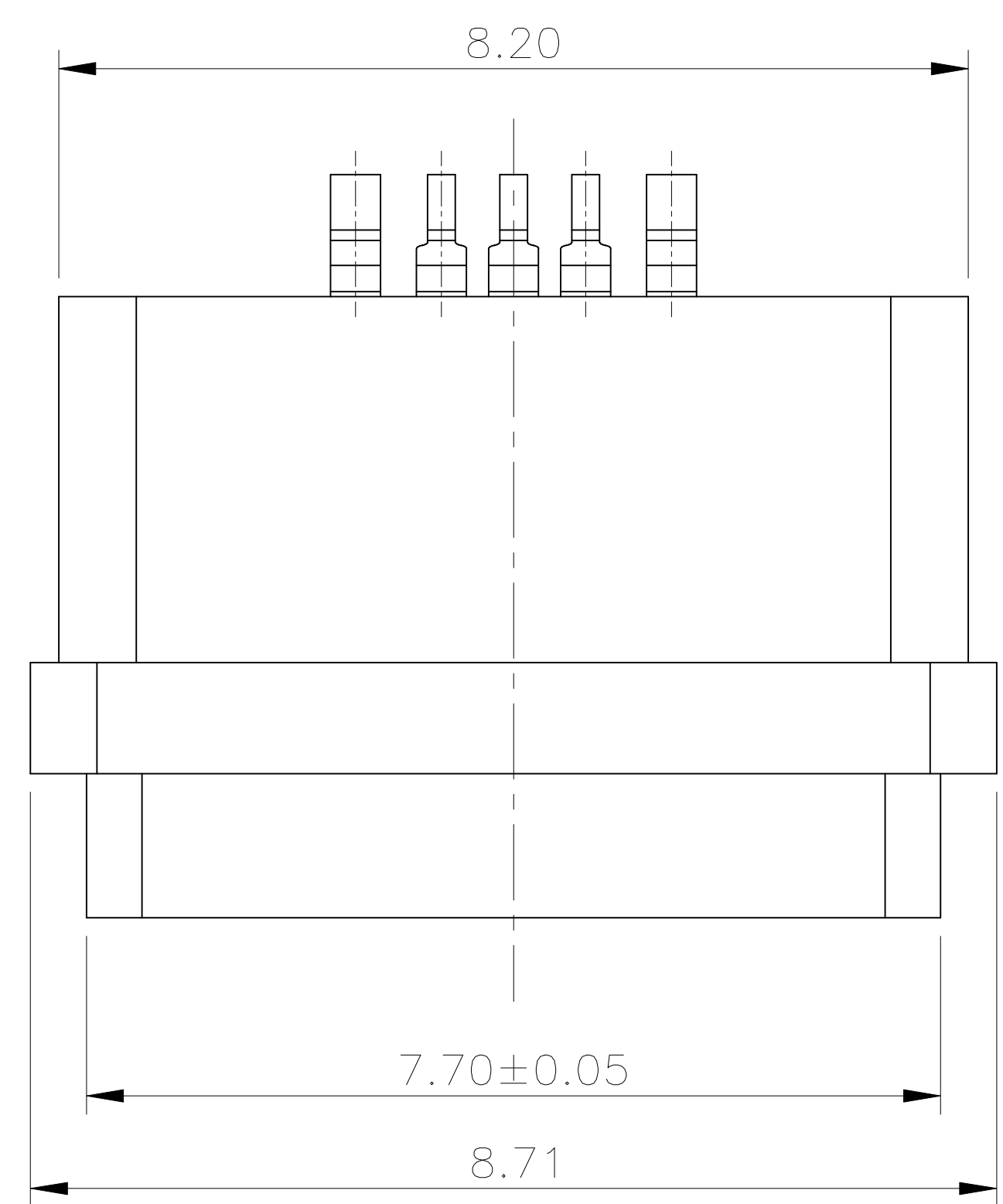
Checked by: _____ Date: _____

Approved by: _____ Date: _____

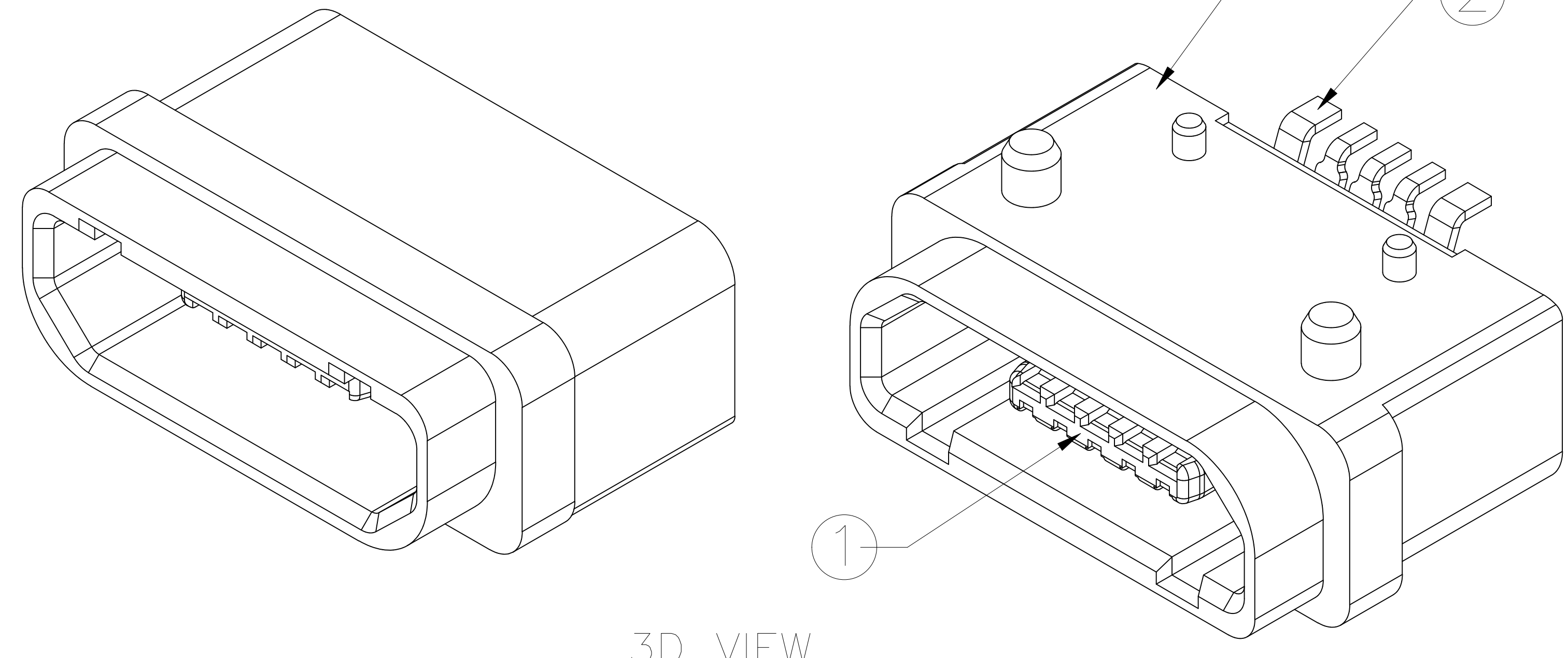
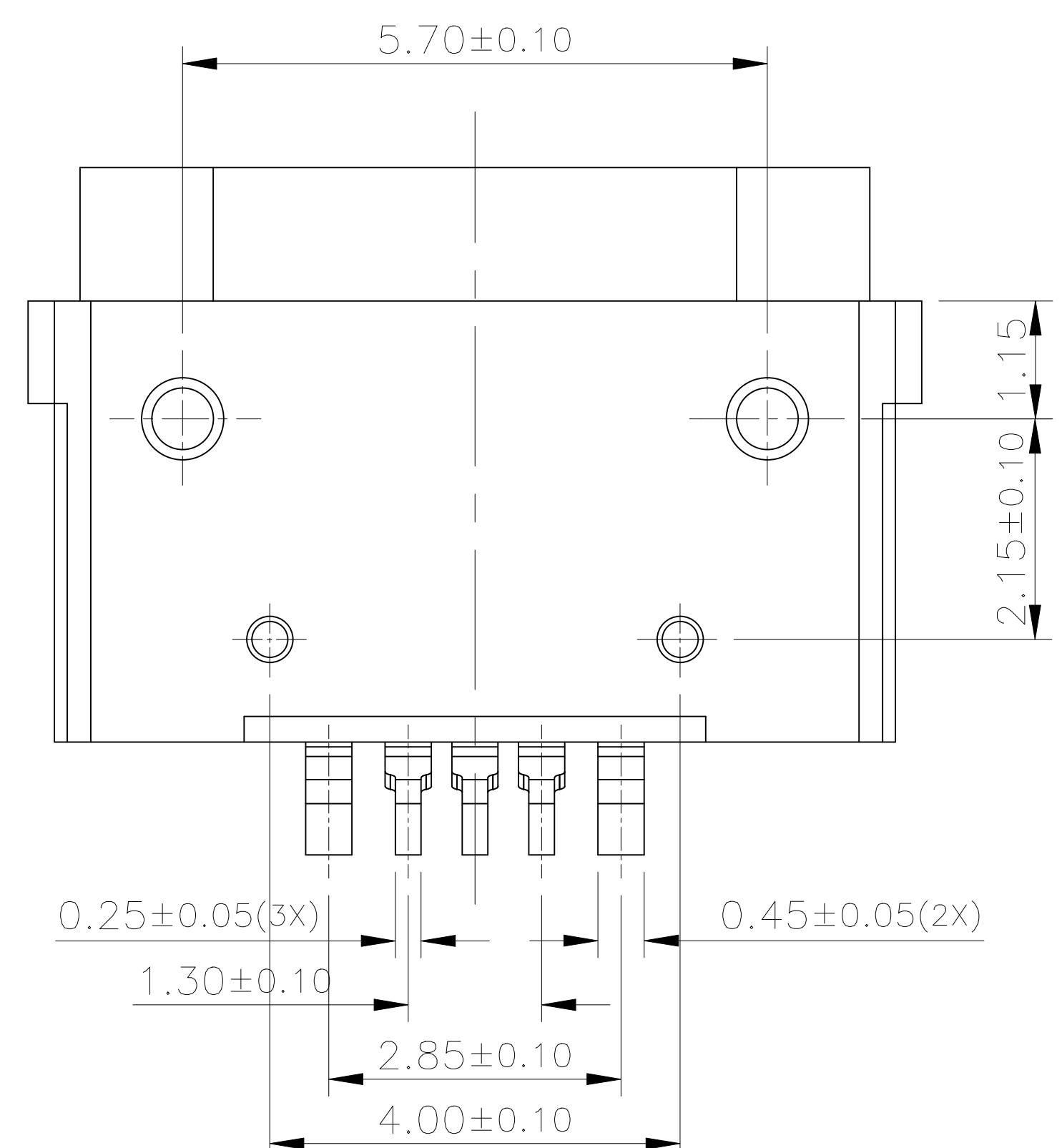
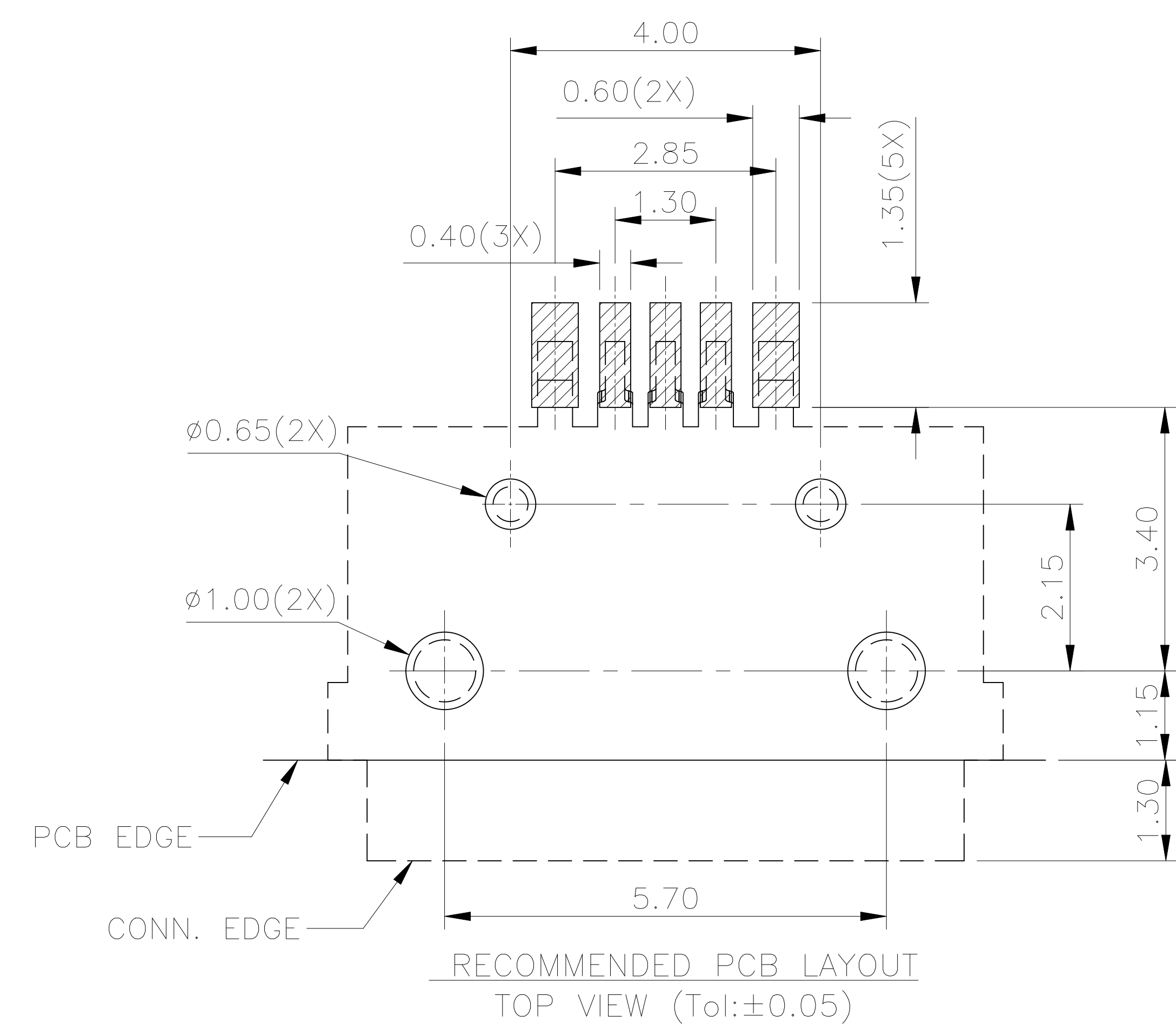
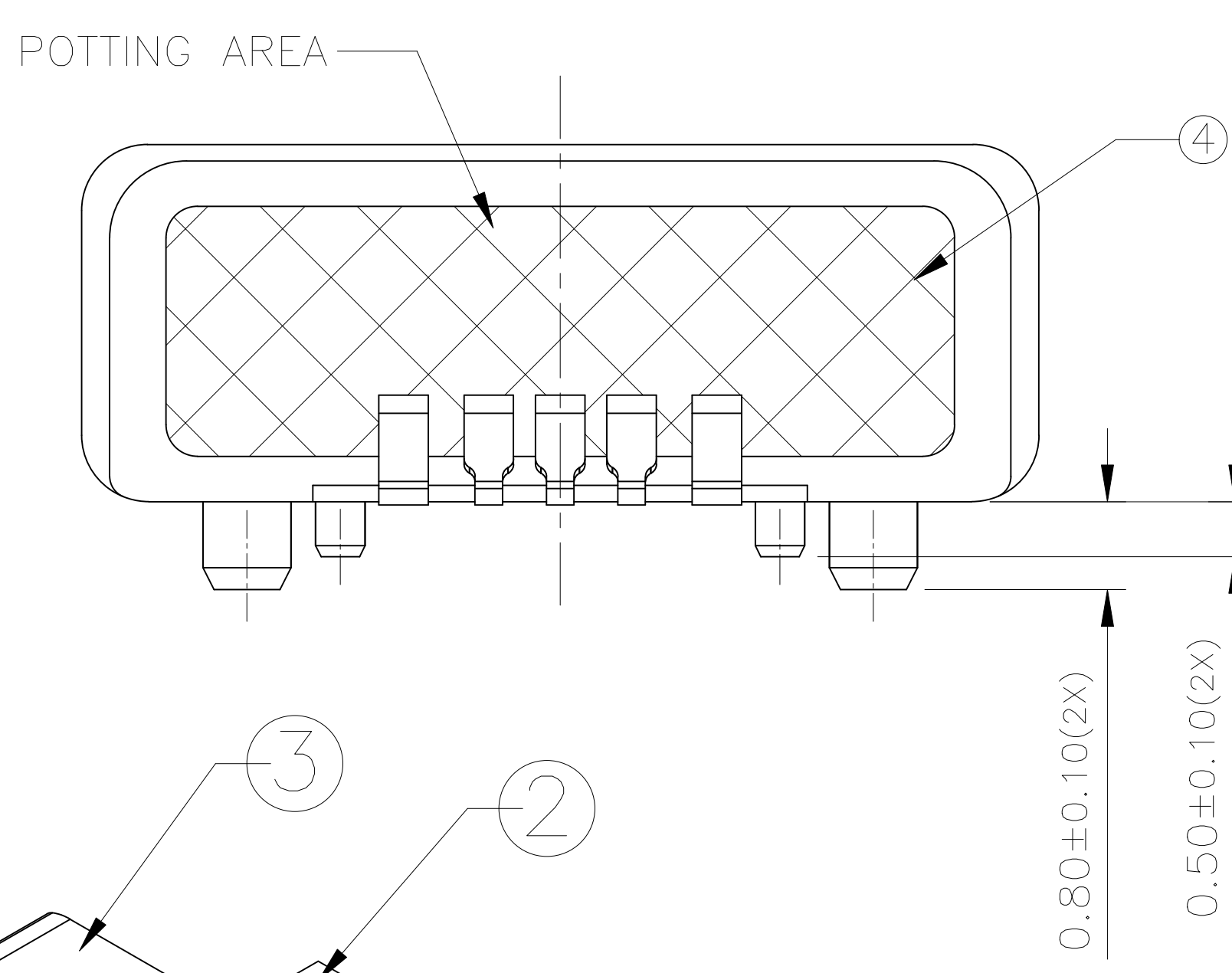
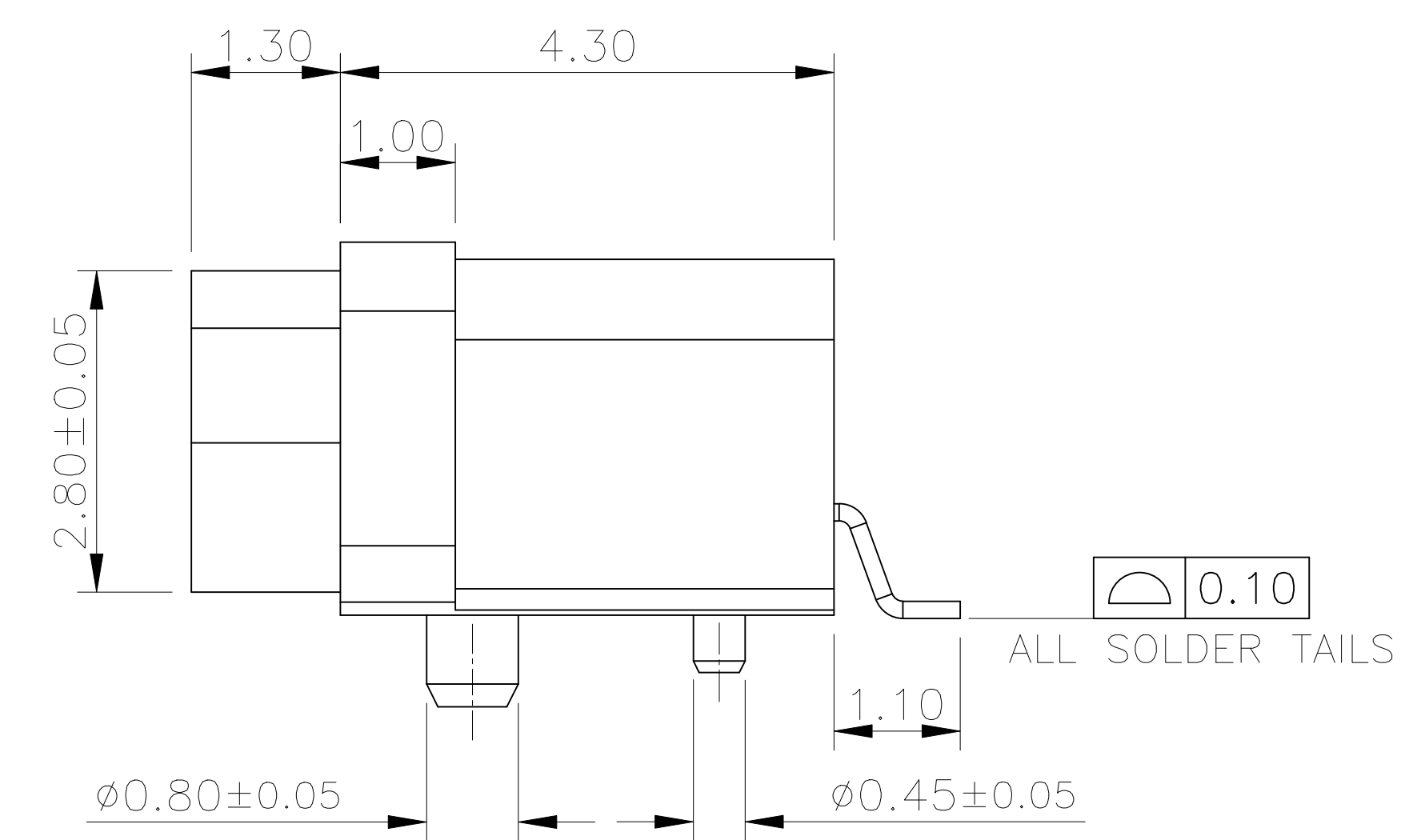
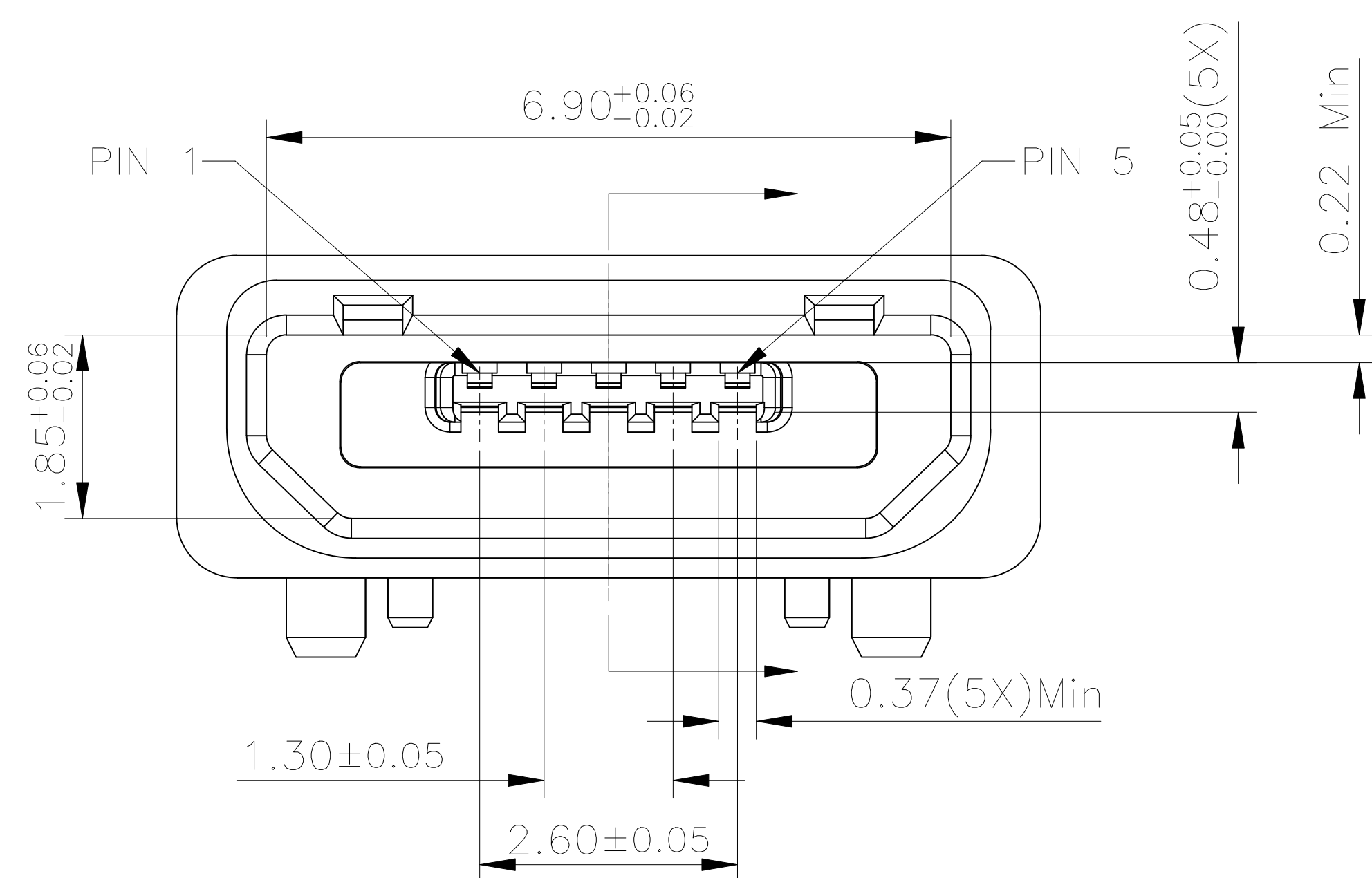
APPROVE	REVIEW	POLT
王凯	林永坚	陈旺

XUNPU ELECTRONICS CO.,LTD

REVISIONS					
REV.	ECN NO.	LOCATION	DESCRIPTION	DATE	DESIGN
AO	NA		INITIAL RELEASE		



注意事项：母座外壳套上硅胶套以后，硅胶套的直径由自然状态的 $\phi 0.70$ 挤压到 $\phi 0.30-0.40$ mm时；密封效果最佳，



3D VIEW

- NOTES:
- CONTACT CURRENT RATING:1.0A(SIGNAL PIN2,3,4);2.0A(POWER PIN1,5).
 - CONTACT RESISTANCE:30mΩ MAX.;
 - INSULATION RESISTANCE:100MΩ MIN.;
 - DIELECTRIC WITHSTANDING:100V AC MIN.;
 - DURABILITY:5,000CYCLES MIN.;
 - WATER PROOFNESS:THIS PRODUCT IS BASED ON IPX6;
 - CONNECTOR MATING FORCES:25N (2.55KgF)MAX.;
 - CONNECTOR UNMATING FORCES:2~25N (0.20~2.55KgF);

Pin Number	Signal Name
1	VBUS
2	D-
3	D+
4	ID
5	GND

This document is the property of GetWell development corporation.

東莞市訊普電子科技有限公司

ITEM	PART NAME	Q'TY	MATERIAL	DESCRIPTION
01	HOUSING	1 PCS	HIGH TEMPERATURE PLASTIC	BLACK COLOR, UL94V-0;
02	CONTACT A	1 PCS	COPPY ALLOY	Ni:40~160u";Au:CONTACT AREA:3u",SOLDER:1u",OTHER AREA:G/F
03	PLASTIC SHELL	1 PCS	HIGH TEMPERATURE PLASTIC	BLACK COLOR, UL94V-0;
04	GLUE	1 PCS	EPOXY RESIN	BLACK COLOR,

Unless otherwise specified, Tolerance:
 X. ±0.30
 X.x ±0.20
 X.xx ±0.15
 X.xxx ±0.10
 Angles ±3'

DESIGN	DATE	TITLE:
CHECKED	DATE	MICRO USB 2.0 B WATERPROOF TYPE
APPROVED	DATE	RECEPTACLE CUSTOMER DRAWING
PART NO. MU-0110	REV.: AO	SCALE: 6:1
DRAWING NO.	UNIT: mm	SHEET: 1/1