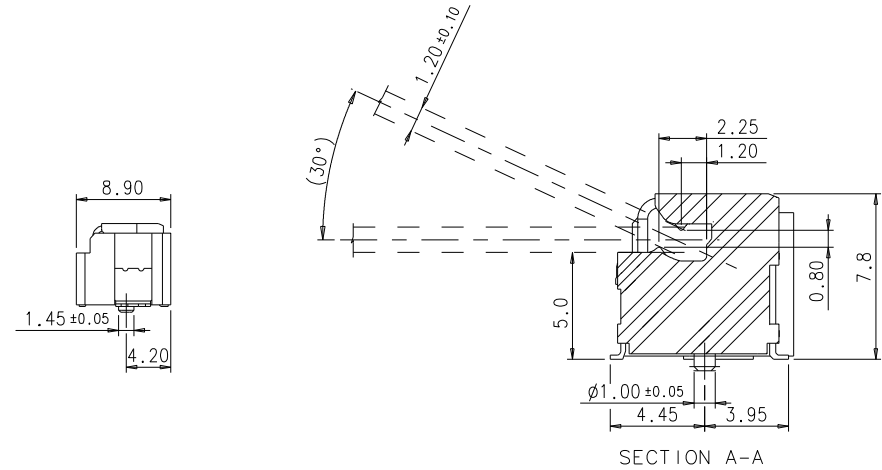
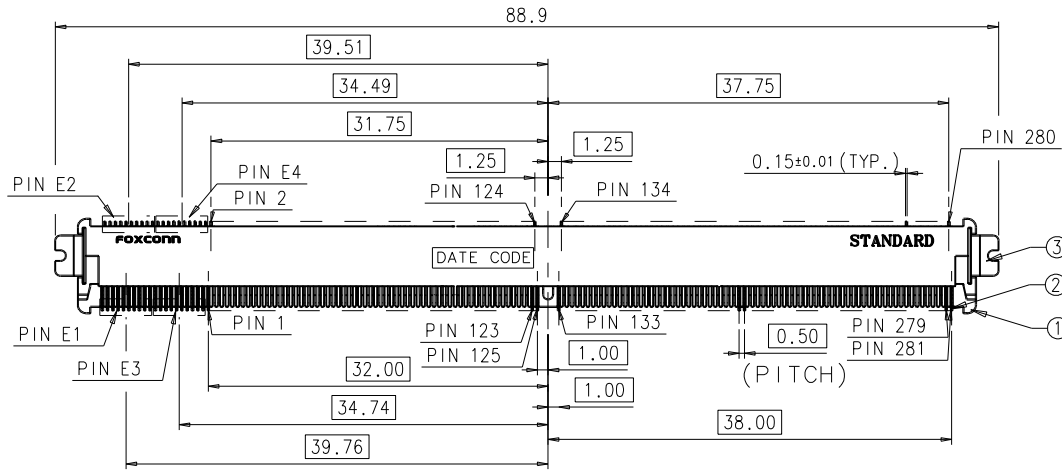


IDEAS GENERATED DRAWING, DON'T CHANGE BY HAND.

REV.	ECN. NO.	APPD.
A	BC-10-0070318	Herry Yang
B	BC-10-0096753	Herry Yang
C	BC-12-0017422	Y.H Mao
D	BC-15-0012128	C.S Li
E	BC-17-0020099	Cheery Chen
F	BC-17-0042101	Davy Bu

NOTES:

- ELECTRICAL CHARACTERISTICS :
 - VOLTAGE RATING 50V DC PER CONTACT.
 - INSULATION RESISTANCE : 250MEGAOHMS. MIN. AT 500V DC.
- MECHANICAL CHARACTERISTICS :
 - DURABILITY : 30 MATING CYCLES.
 - OPERATION TEMPERATURE : -40°C TO + 85°C
- THE NVIDIA'S MOBILE PCI EXPRESS MODULE ELECTROMECHANICAL SPECIFICATION CONTROLS MXM GRAPHICS MODULE PCB AND CONNECTOR MOTHERBOARD FOOTPRINT DIMENSIONS. IT IS SHOWN FOR REFERENCE ONLY, AND IS SUBJECT TO CHANGE.
- INTERPRET DRAWING PER ASME Y14.5M-1994.
- PLEASE CONTACT FOXCONN SALES REPRESENTATIVE TO VERIFY PRODUCT DETAILS & AVAILABILITY.



SECTION A-A

PART NO. DESCRIPTION: A S 0 B 8 2 * - S 7 8 * - * H

MEMORY MODULE SOCKET
 HORIZONTAL TYPE
 SINGLE ROW
 NO. OF POS.
 B8= 314 POS.
 SMT
 CONTACT AREA PLATING
 1=GOLD FLASH
 6=10u" GOLD PLATING
 7=15u" GOLD PLATING

H=HALOGEN FREE&LEAD FREE
 7=TAPE & REEL
 1=HARD TRAY
 B=BLACK COLOR
 N=IVORY COLOR
 78=7.8MM HEIGHT
 STANDARD

ITEM	DESCRIPTION	Q'TY	MATERIAL	TREATMENT
③	METAL EAR	2	COPPER ALLOY	50u" NICKEL UNDER PLATING 2u" Pd PLATING OVER SOLDER AREA
②	CONTACT	314	COPPER ALLOY	50u" NICKEL UNDER PLATING GOLD FLASH PLATING AT TAIL AREA 10u" OR 15u" GOLD PLATING OR 10u" GOLD FLASH AT CONTACT AREA
①	HOUSING	1	THERMOPLASTIC	UL94V-0, HALOGEN FREE

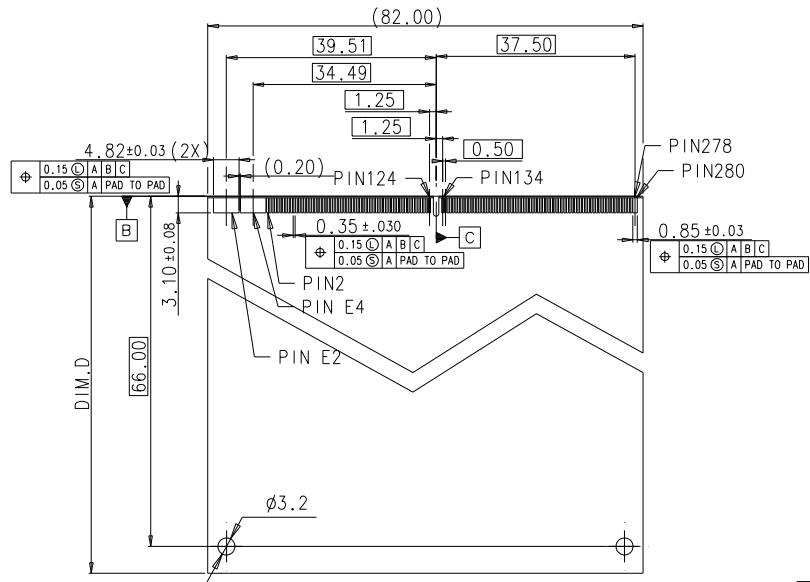
UNITS	mm	NAME (INTENDED USE)	FOXCONN INTERCONNECT TECHNOLOGY LIMITED.
X. ± 0.30	X° ± 2.0°	MXM 3.0 CONNECTOR	<input type="checkbox"/> CONFIDENTIAL <input type="checkbox"/> SECRET <input checked="" type="checkbox"/> GENERAL
.X ± 0.20	.X° ± 1.0°		
.XX ± 0.15	.XX°	PART NO. (INTENDED USE)	TITLE: CUSTOMER DRAWING
.XXX±	.XXX°±	AS0B82*-S78*-*H	DWG NO.:
THESE DRAWINGS AND SPECIFICATIONS ARE THE PROPERTY OF FOXCONN INTERCONNECT TECHNOLOGY LIMITED AND SHALL NOT BE REPRODUCED, COPIED OR USED IN ANY MANNER WITHOUT THE PRIOR WRITTEN CONSENT OF FOXCONN INTERCONNECT TECHNOLOGY LIMITED.		APPD: Davy Bu	317-0000-1969
		CHKD: Cheery Chen	SCALE SHEET REV.
		DR: Eric.y.s 12/16'17	N/A 1/4 F

IDEAS GENERATED DRAWING, DON'T CHANGE BY HAND.

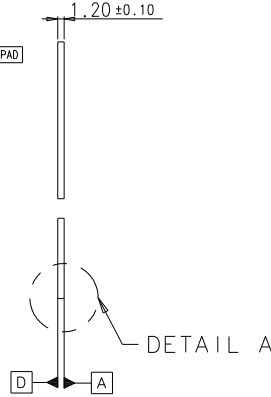
REV.	ECN. NO.	APPD.

A
B
C
D
E

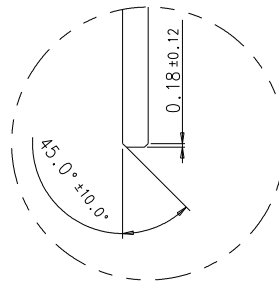
A
B
C
D
E



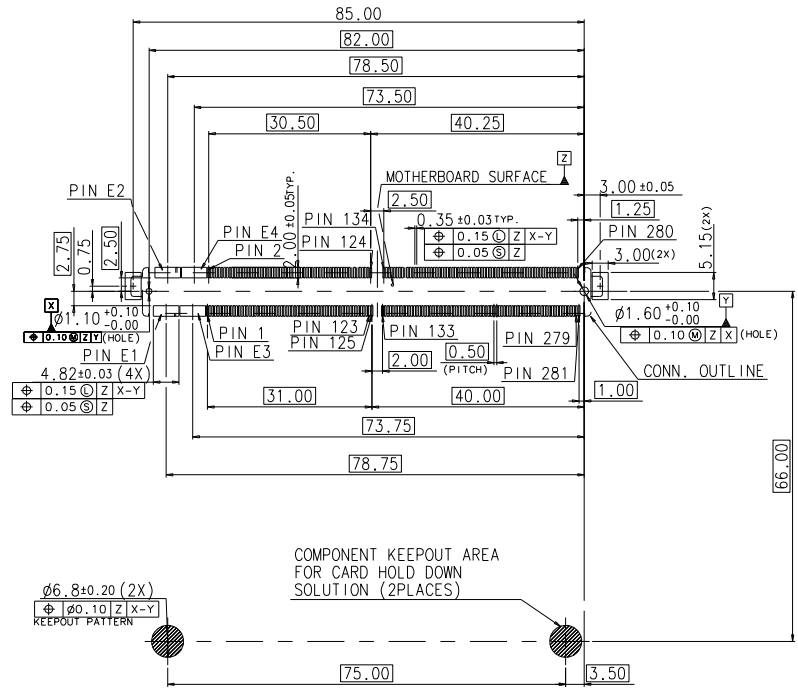
TOP SIDE



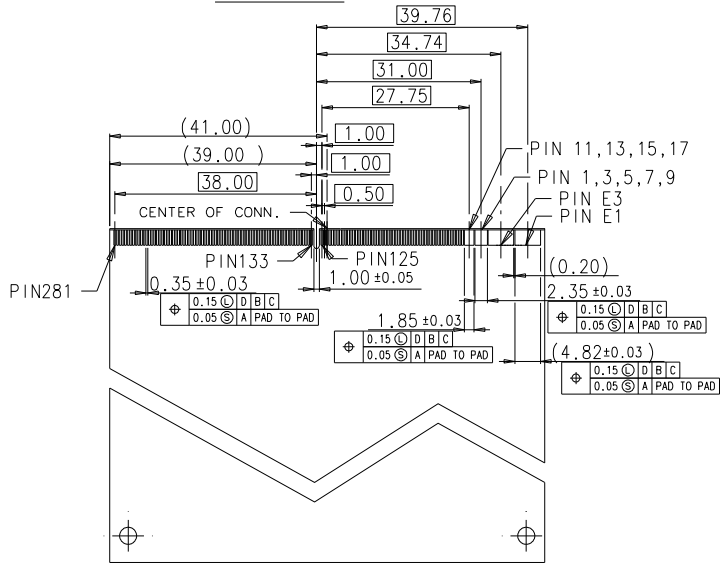
DETAIL A



DETAIL A



RECOMMENDED PCB LAYOUT



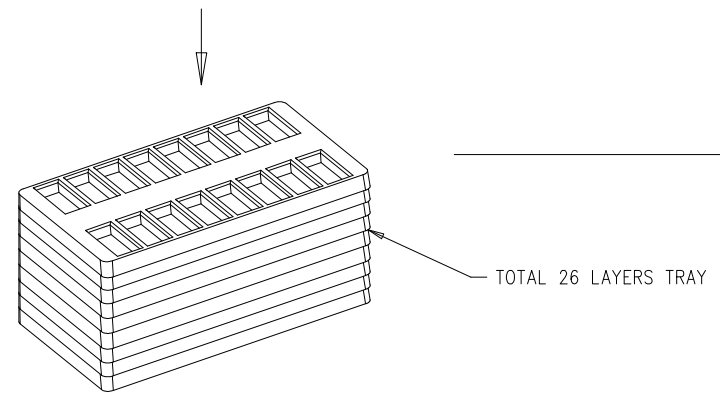
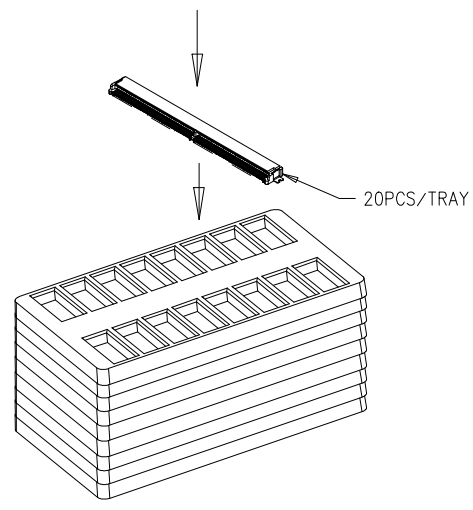
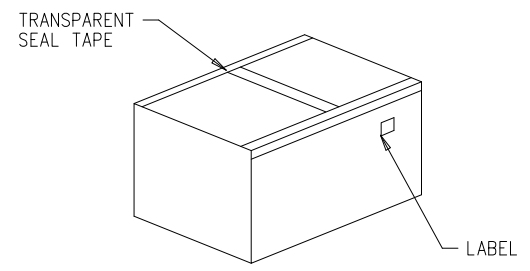
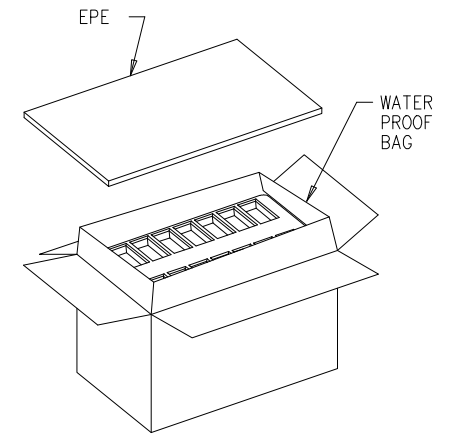
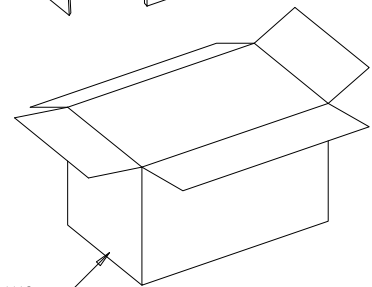
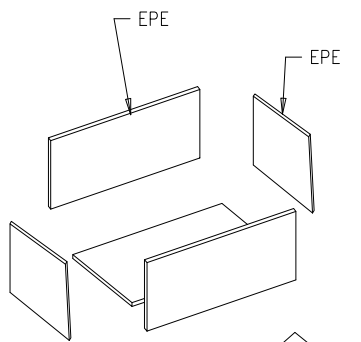
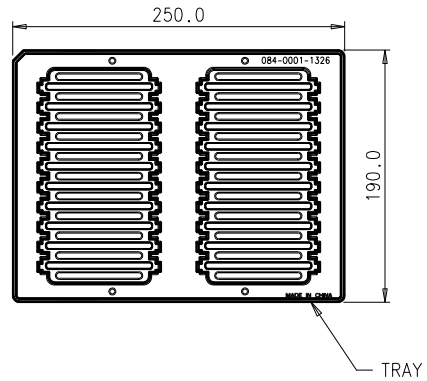
BOTTOM SIDE

MXM3.0 TYPE	DIM.D
TYPE A	70.0
TYPE B	105.0

X. ±	X° ±	UNITS	mm	NAME (INTENDED USE)	
.X ± 0.10	.X° ±	MAT'L		MXM 3.0 CONNECTOR	
.XX ± 0.05	.XX°			PART NO. (INTENDED USE)	CLASS: <input type="checkbox"/> CONFIDENTIAL <input type="checkbox"/> SECRET <input type="checkbox"/> GENERAL
.XXX ±	.XXX° ±	FINISH		AS0B82*-S78*-*H	TITLE: CUSTOMER DRAWING
THESE DRAWINGS AND SPECIFICATIONS ARE THE PROPERTY OF FOXCONN INTERCONNECT TECHNOLOGY LIMITED AND SHALL NOT BE REPRODUCED, COPIED OR USED IN ANY MANNER WITHOUT THE PRIOR WRITTEN CONSENT OF FOXCONN INTERCONNECT TECHNOLOGY LIMITED.				APPD: Davy Bu	DWG NO.: 317-0000-1969
				CHKD: Cheery Chen	
				DR: Eric.y.s 12/16'17	

IDEAS GENERATED DRAWING, DON'T CHANGE BY HAND.

REV.	ECN. NO.	APPD.



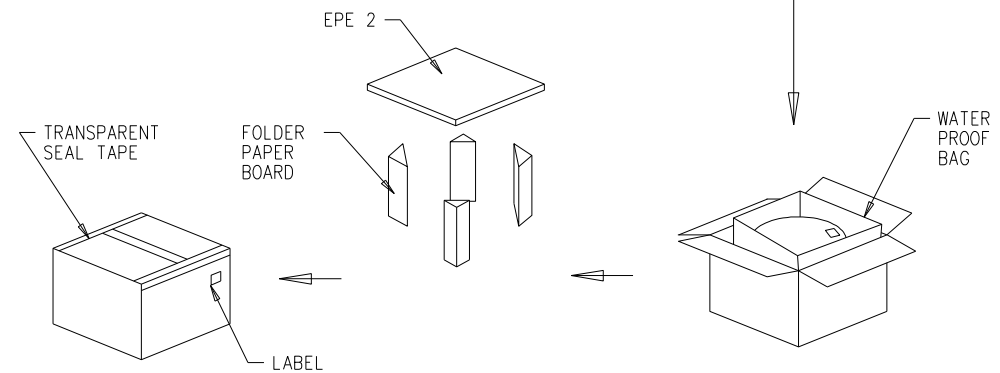
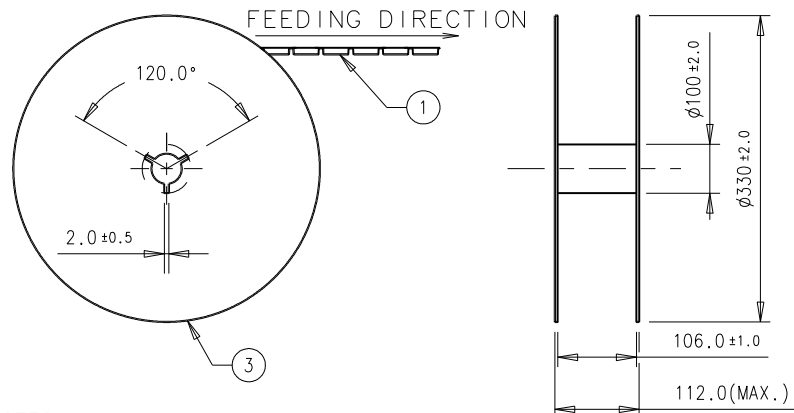
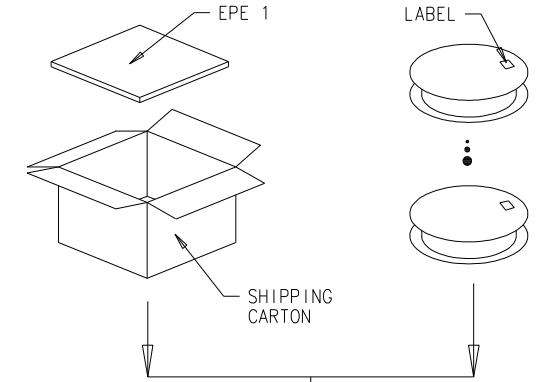
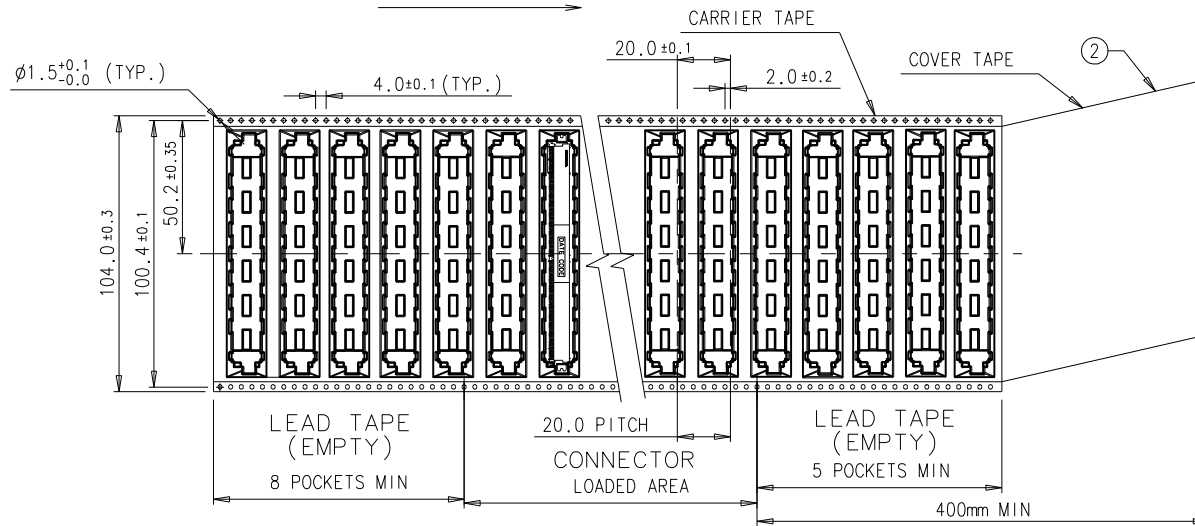
520 PCS	20 PCS	ASOB82*-S78*-1H
QTY/BOX	QTY/TRAY	CONNECTOR P/N

X. ±	X°. ±	UNITS	mm	NAME (INTENDED USE) MXM 3.0 CONNECTOR	FOXCONN INTERCONNECT TECHNOLOGY LIMITED.
.X ± 1.0	.X° ±	MAT'L			
.XX ± 0.50	.XX°	FINISH		PART NO. (INTENDED USE)	CLASS: <input type="checkbox"/> CONFIDENTIAL <input type="checkbox"/> SECRET <input checked="" type="checkbox"/> GENERAL
.XXX ±	.XXX° ±		Q'TY		ASOB82*-S78*-1H
THESE DRAWINGS AND SPECIFICATIONS ARE THE PROPERTY OF FOXCONN INTERCONNECT TECHNOLOGY LIMITED AND SHALL NOT BE REPRODUCED, COPIED OR USED IN ANY MANNER WITHOUT THE PRIOR WRITTEN CONSENT OF FOXCONN INTERCONNECT TECHNOLOGY LIMITED.				APPD: Davy Bu	DWG NO.:
				CHKD: Cheery Chen	317-0000-1969
				DR: Eric.y.s 12/16'17	
					SCALE SHEET REV.
				N/A	3/4 F

IDEAS GENERATED DRAWING, DO NOT CHANGE BY HAND

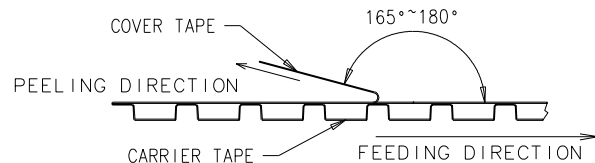
REV.	ECN.	NO.	APPD.
------	------	-----	-------

FEEDING DIRECTION



NOTES:

- 10 POCKETS HOLE PITCH CUMULATIVE TOLERANCE $\pm 0.20\text{mm}$.
- COVER TAPE PEELING STRENGTH : 0.01Kgf MIN..0.15 Kgf MAX. AT 300mm/min.



- PACKING CAPACITY : 350 PCS/REEL, 3 REELS/BOX, TOTAL 1050 PCS/BOX.

ITEM	DESCRIPTION	MATERIAL
③	REEL	POLYSTYRENE
②	COVER TAPE	POLYESTER
①	CARRIER TAPE	POLYSTYRENE

X. ± 1.0	X°	UNITS	mm	NAME (INTENDED USE)	
.X ± 0.50	.X°	MAT'L		MXM 3.0 CONNECTOR	
.XX ± 0.20	.XX°			PART NO. (INTENDED USE)	<input type="checkbox"/> CONFIDENTIAL <input type="checkbox"/> SECRET <input checked="" type="checkbox"/> GENERAL
.XXX \pm	.XXX° \pm	FINISH		ASOB82*-S78*-H	TITLE: CUSTOMER DRAWING
THESE DRAWINGS AND SPECIFICATIONS ARE THE PROPERTY OF FOXCONN INTERCONNECT TECHNOLOGY LIMITED AND SHALL NOT BE REPRODUCED, COPIED OR USED IN ANY MANNER WITHOUT THE PRIOR WRITTEN CONSENT OF FOXCONN INTERCONNECT TECHNOLOGY LIMITED.				APPD: Davy Bu	DWG NO.:
				CHKD: Cheery Chen	317-0000-1969
				DR: Eric.y.s 12/16'17	SCALE SHEET REV. N/A 4/4 F

CONNECTOR P/N	ASOB82*-S78*-7H
---------------	-----------------