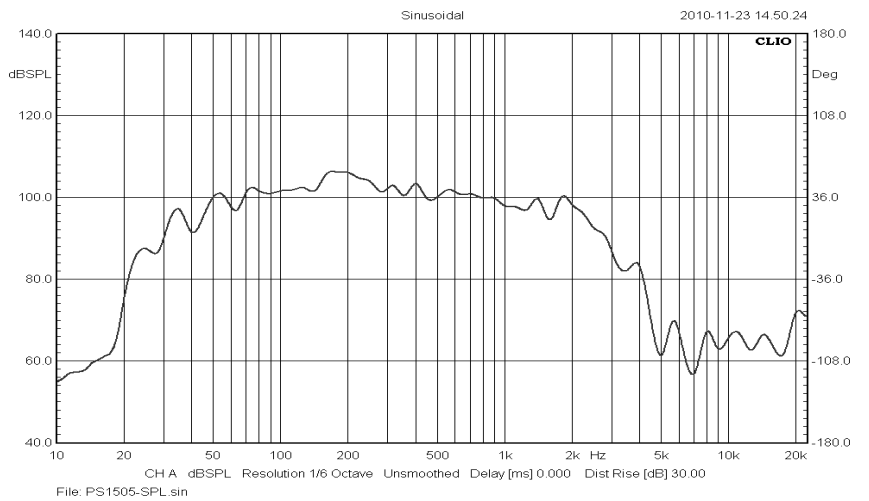
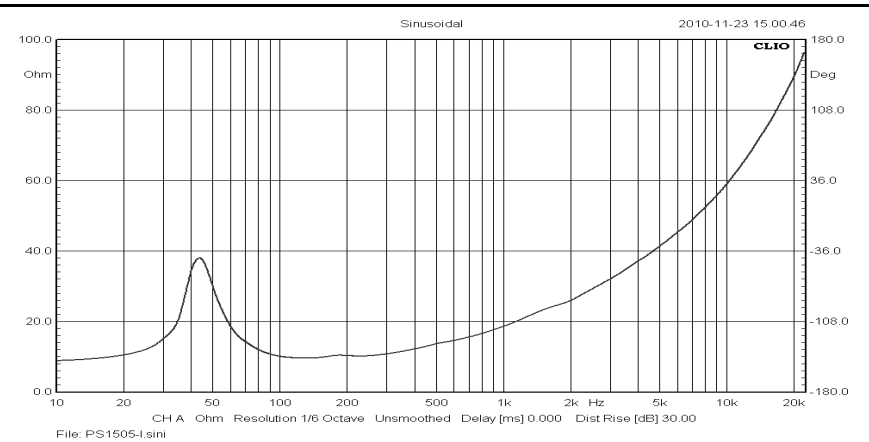
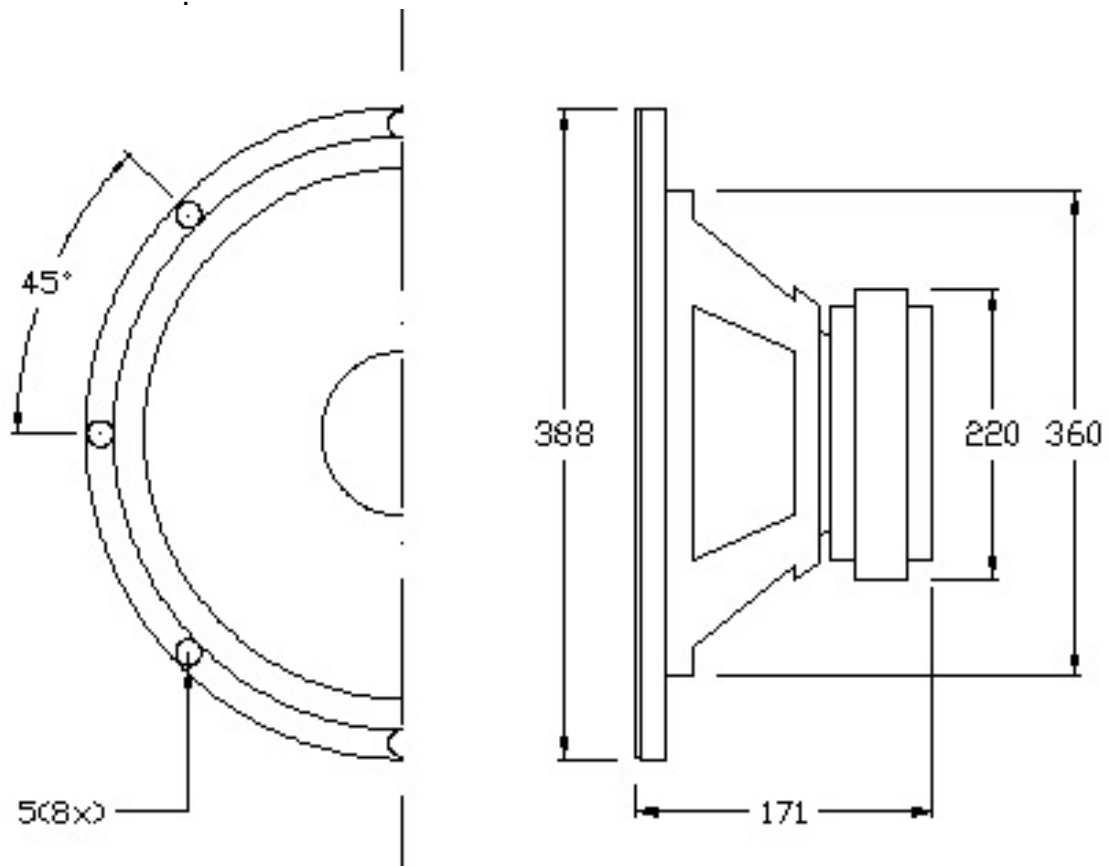


Model Number:	55-2983	
GENERAL SPECIFICATIONS		
Nominal Diameter:	15 inch	
Rated Lmpedance:	8 ohms	
Operating Bandwidth:	30Hz ~2.5KHz (-3dB)	
Power Handling Capacity:	500 Watts	
Sensitivity (1W/M):	98dB (±3dB)	
Voice Coil Diameter:	4 inch	
THIELE-SMALL PARAMRTER		
Resonance Frequency	Fs:	43.57 HZ
DC Resistance	Re:	6.5 ohm
Mechanical Q Factor	Qms:	2.8939
Electrical Q Factor	Qes:	0.554
Total Q Factor	Qts:	0.4648
Equivalent Cas air load	Vas:	127.52 liters
Surface Area of Cone	Sd:	0.0855 m ²
Efficiency Bandwidth Product	EBP	93.73
Voice Coil Over Hang	X-max	7 mm
PHYSICAL INFORMATION		
Basket:	Cast Aluminium	
Magnet Type:	100 OZ	
Cone Material:	None press paper	
Surround:	cloth	
Dust Cap:	paper	
Damper:	cloth	





ALL DIMENSIONS ARE IN MILLIMETERS