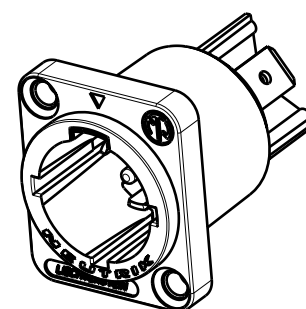
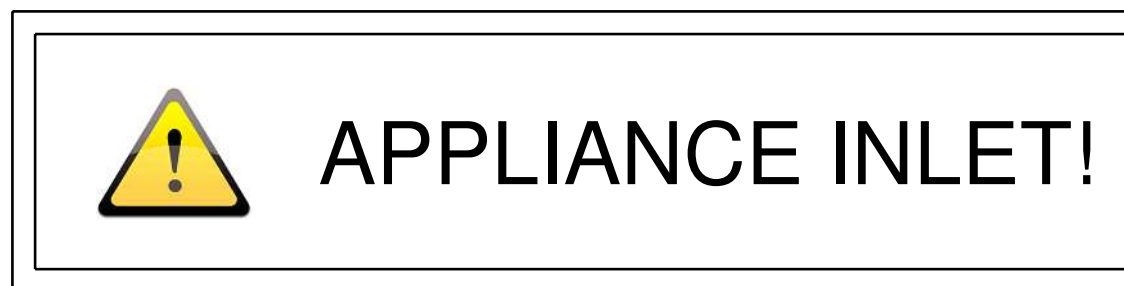
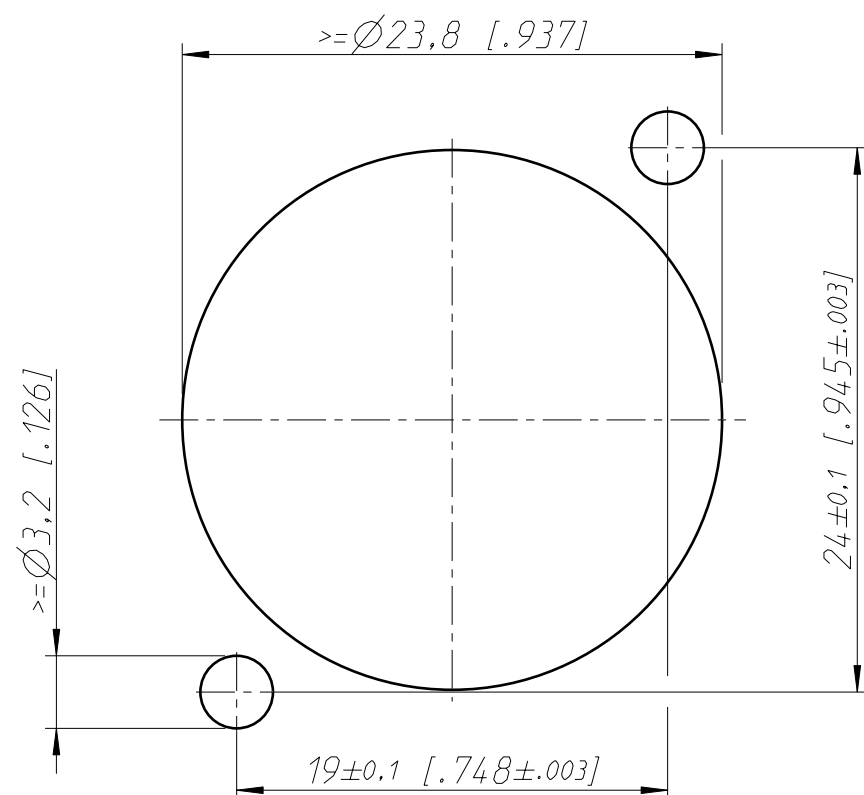


Frontplattenausschnitt Rückseite
panel cutout rear side



M1:1

General tolerances ISO 2768-m		Scale	Date	Name
Refer to protection notice ISO 16016.		3:1 (A3)	03.05.18	Ender
Name		powerCON TRUE1 TOP	Modified	-
		NAC3MPX-TOP	Change-No.	Sheet-No.
			-	1 / 1
			Index	-
			Replacement for:	
			Drawing-No.	
			ST-NAC3MPX-TOP	

NEUTRIK