

RoHS Compliant

RevNo	Revision note	Date	Signature	Checked
-------	---------------	------	-----------	---------

ELECTRICLE TEST:
 (1)100% OPEN SHORT TEST.
 (2)CONTACT RESISTANCE 5 ohm Max.
 (3)INSULATION RESISTANCE 10M ohm Min
 (4)HI-POT TEST:DC 300V/10ms

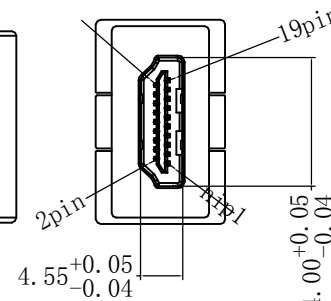
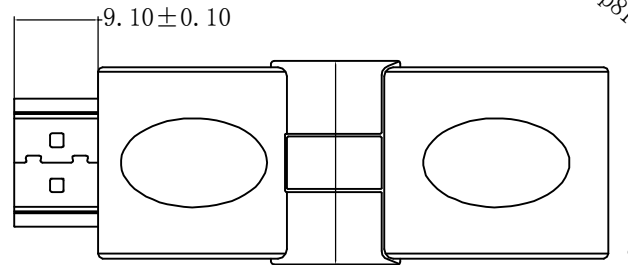
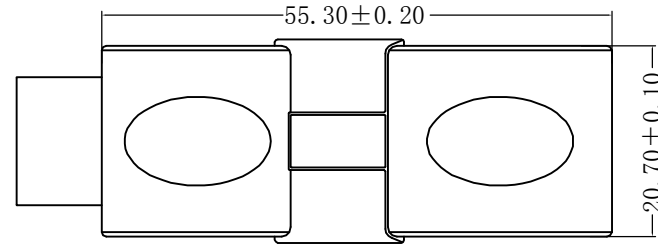
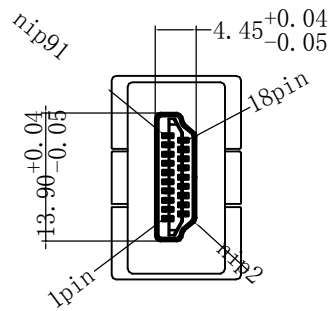
A
B
C
D
E

A
B
C
D
E

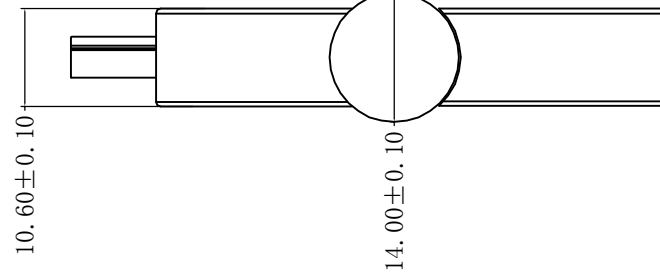
P1

P2

PIN OUT



P1	P2	P1	P2
1	1	11	11
2	2	12	12
3	3	13	13
4	4	14	14
5	5	15	15
6	6	16	16
7	7	17	17
8	8	18	18
9	9	19	19
10	10	SHELL	SHELL



P1:HDMI A male
 P2:HDMI A female

④	WIRES	28AWG 7/0.12,L=48MM; Drain: 28AWG/0.12,L=55MM	20 PC	Ltemref	Quantity	Title/Name,designation,material,dimension etc			Article No./Reference		
③	SHELL	ABS SHELL	1 SET	Designed by	Checked by	Approved by - date	File name	Date	Scale		
F ②	CONNECTOR	HDMI A FEMALE, GOLD PLATED SHELL	1 PC	ACHY	HELEN	Dec.03.2014		Dec.03.2014	FREE		
①	CONNECTOR	HDMI A MALE, GOLD PLATED SHELL	1 PC	ANGLE:			HDMI A male to HDMI A female adaptor,swing type				
NO	PART	MATERIAL	QT'Y	UNIT:MM				AV18738	Edition	Sheet	
								1	1/1		

1 2 3 4 5 6 7 8