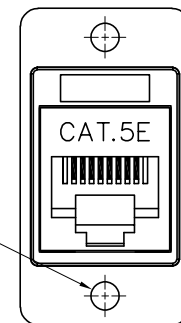
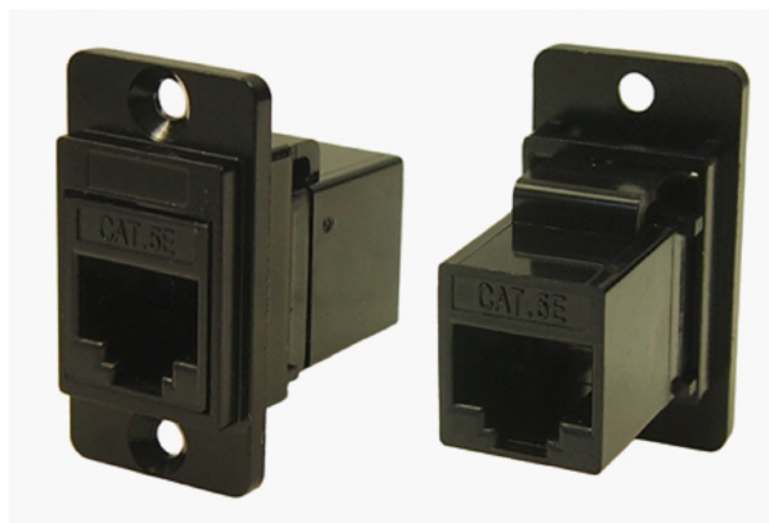
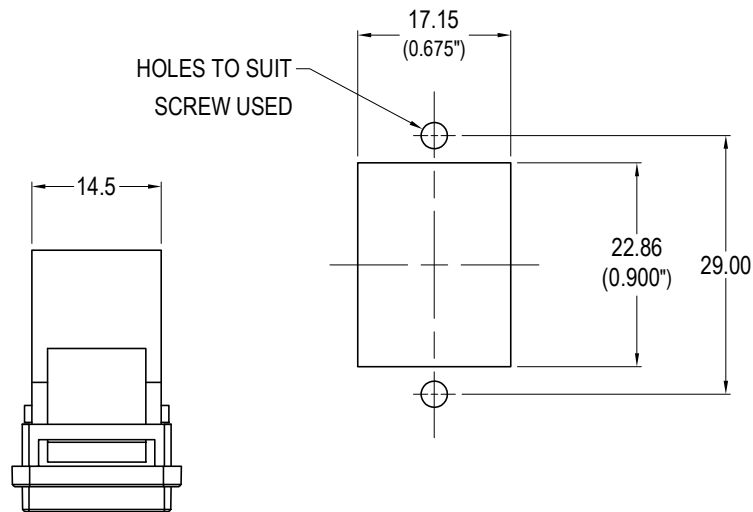
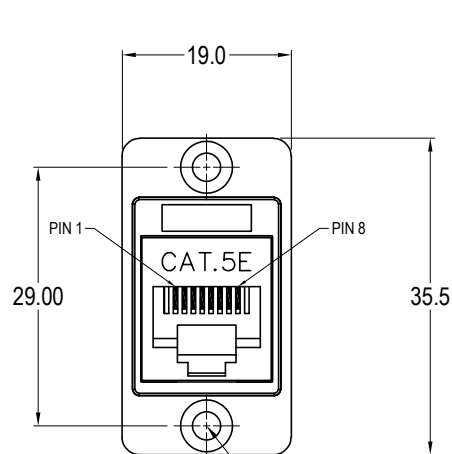


ISS.	AMEND	DATE
1	ISSUED	01/03/21

DUAL MOUNT
CAN BE FRONT OR REAR MOUNTED

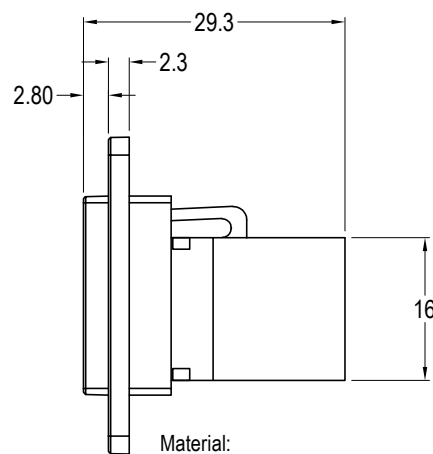


Ø3.20 PLAIN HOLE
CP30720MBX1



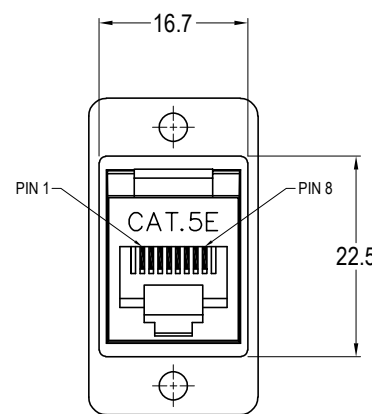
4x HOLE VARIANTS

- Ø3.2mm CSK 90° x Ø5.85
- M3 x 0.5 THREAD
- #4-40 UNC THREAD
- PLAIN Ø3.2 HOLES



Material:

1. RJ45 In-Line Coupler:
Black PC or ABS, UL94 V-0
2. RJ45 In-Line Coupler Contact:
Phosphor Bronze, 3-50 micro inches
gold plating over nickel plate.
3. PCB: FR4, UL94 V-0
4. FT Frame: Diecast, Black



Performance:

1. T568A & T568B wiring.
2. Meet ISO/IEC 11801 and EN50173
3. Meet ANSI/TIA/EIA 568B.2
4. Operating Temperatures: Min -10°C Max +60°C

VARIANTS

PART NO.	HOLE DETAILS
CP30720MB	HOLE Ø3.2 x CSK 90° x Ø5.85
CP30720MB3	M3 HOLES
CP30720MB440	#4-40 UNC HOLES
CP30720MBX1	PLAIN HOLE Ø3.2

RoHS
COMPLIANT

TOLERANCE

- NO DEC. PLACE ±
- 1 DEC. PLACE ±
- 2 DEC. PLACE ±
- HOLE Ø ±
- ANGLES ±
- UNLESS OTHERWISE STATED

Cliff Electronic Components Ltd.

76 Holmehorpe Avenue, Holmehorpe Industrial Estate,
Redhill, Surrey, RH1 2PF, England, UK
Tel: 01737-771375 Fax: 01737-766012 Website: www.cliffuk.co.uk

DIMENSIONS IN MILLIMETERS UNLESS OTHERWISE STATED. WORK TO DIMENSIONS. REMOVE ALL BURRS. IF IN DOUBT ASK.

3rd ANGLE PROJECTION:

DO NOT SCALE

MATERIAL: See Notes

FINISH: See Notes

DRAWN: T.J.O.

APPROVED: D.P.J.

TITLE: DUAL MOUNT BLACK METAL SLIM FT UTP CAT5e RJ45

DRWG. No. CP30720MB

FORM: A4DRWGH