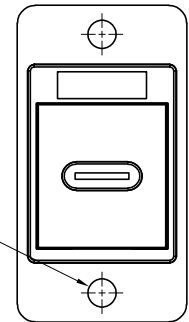
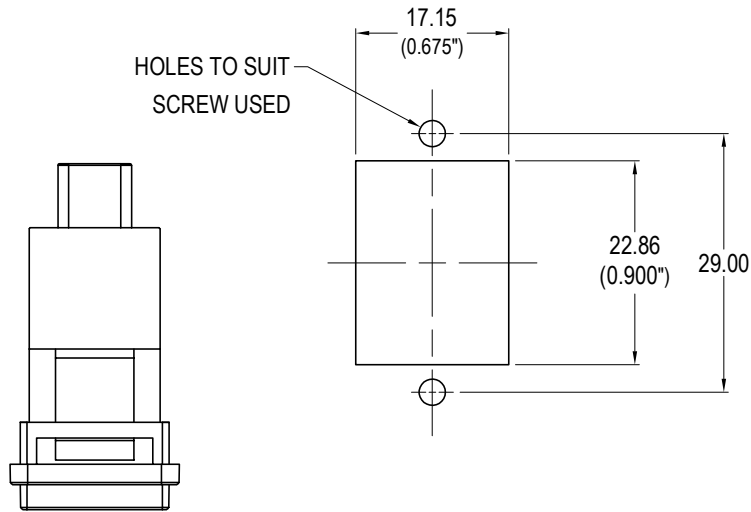
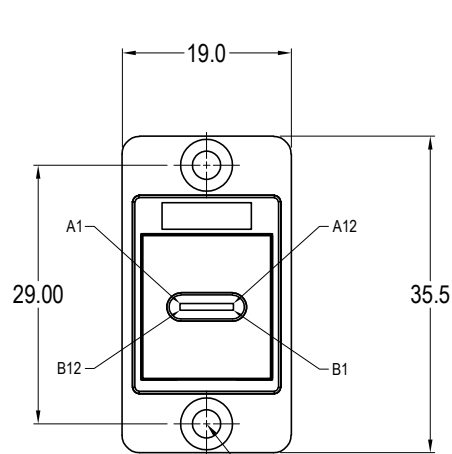


ISS.	AMEND	DATE
1	ISSUED	25/01/21

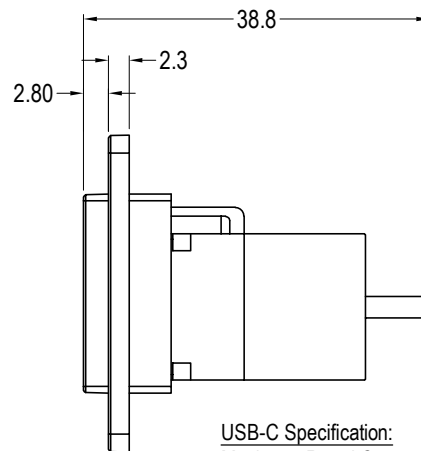
DUAL MOUNT  
CAN BE FRONT OR REAR MOUNTED



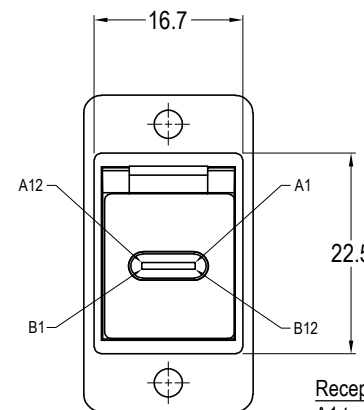
Ø3.20 PLAIN HOLE  
CP30711MBX1



4x HOLE VARIANTS  
Ø3.2mm CSK 90° x Ø5.85  
M3 x 0.5 THREAD  
#4-40 UNC THREAD  
PLAIN Ø3.2 HOLES



**USB-C Specification:**  
Maximum Rated Current - 3A  
Maximum Working Voltage - 30V  
Withstanding Voltage - 100V for 1 minute.  
Contact Resistance - 40 Milli-ohms Max.  
Insulation Resistance - 100 Mega-ohms Min.  
Insulator Flammability Rating - UL-94V0  
Insertion Life - 10,000 Cycles.



**Recepticle to Plug connection:**  
A1 to A1, A2 to A2, A3 to A3 ..... etc..  
B1 to B1, B2 to B2, B3 to B3 ..... etc..

**Materials:**  
FT Frame: Diecast, Black  
Insert: ABS - UL94 HB

**VARIANTS**

PART NO.	HOLE DETAILS
CP30711MB	HOLE Ø3.2 x CSK 90° x Ø5.85
CP30711MB3	M3 HOLES
CP30711MB440	#4-40 UNC HOLES
CP30711MBX1	PLAIN HOLE Ø3.2

**RoHS**  
COMPLIANT

**TOLERANCE**  
NO DEC. PLACE ±  
1 DEC. PLACE ±  
2 DEC. PLACE ±  
HOLE Ø ±  
ANGLES ±  
UNLESS OTHERWISE STATED

**Cliff Electronic Components Ltd.**

76 Holmethorpe Avenue, Holmethorpe Industrial Estate,  
Redhill, Surrey, RH1 2PF, England, UK  
Tel: 01737-771375 Fax: 01737-766012 Website: www.cliffuk.co.uk

DIMENSIONS IN MILLIMETERS UNLESS OTHERWISE STATED. WORK TO DIMENSIONS. REMOVE ALL BURRS. IF IN DOUBT ASK.

3rd ANGLE PROJECTION:

DO NOT SCALE

MATERIAL: See Notes

FINISH: See Notes

DRAWN: T.J.O.

APPROVED: D.P.J.

TITLE: DUAL MOUNT BLACK METAL SLIM FT USBC F-M

DRWG. No. CP30711MB

FORM: A4DRWGH