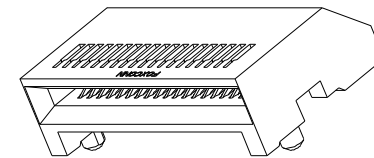
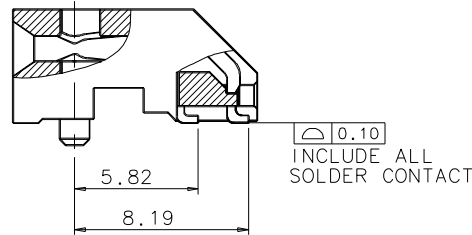
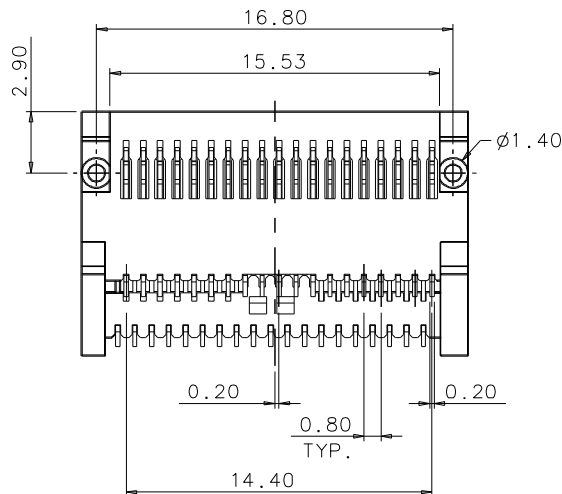
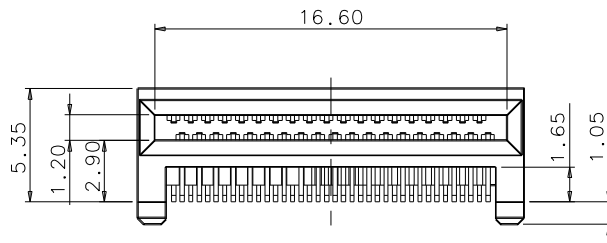
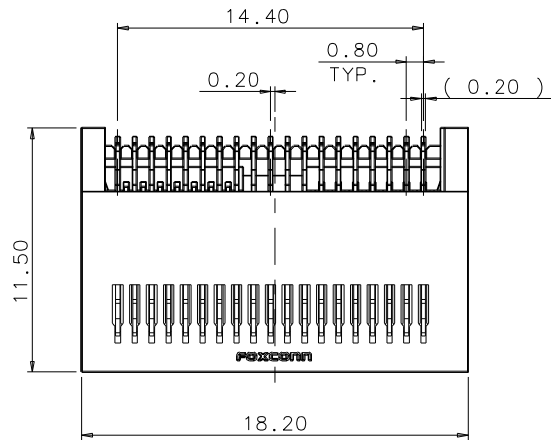


IDEAS GENERATED DRAWING, DON'T CHANGE BY HAND.

REV.	ECN.	NO.	APPD.
A	BC-09-7077053		L.C.Wu
B	BC-10-0079221		L.C.Wu



NOTES, UNLESS OTHERWISE SPECIFIED:

- MATERIAL:
HOUSING: THERMOPLASTIC GLASS FILLED.
SPACER: THERMOPLASTIC GLASS FILLED.
CONTACT: COPPER ALLOY.
- PLATING:
CONTACT AREA: GOLD PLATING OVER 100u" MIN. NICKLE.
SOLDER AREA: 100u" MIN. TIN OVER 100u" MIN. NICKLE.
- PRODUCT DESIGN CONFORM TO QSFP INDUSTRY SPEC.

PART LIST

3S10382*-01-7*

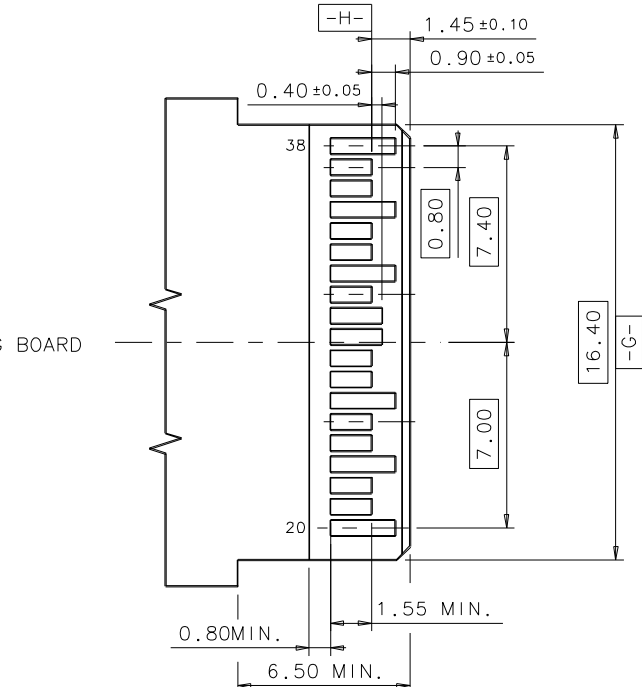
CONTACT AREA PLATING
3: 30u" MIN. GOLD
7: 15u" MIN. GOLD
F: SATIN TIN
M: MATIN TIN

x.	$x^{\circ} \pm 5^{\circ}$	UNITS	mm	NAME (INTENDED USE)	FOXCONN HON HAI PRECISION IND. CO., LTD. TAIPEI, TAIWAN, R.O.C.				
.x ± 0.25	$.x^{\circ} \pm 3^{\circ}$	MAT'L		QSFP CONNECTOR					
.XX ± 0.15	$.XX^{\circ} \pm$	SEE NOTES	1	PART NO. (INTENDED USE)	TITLE:				
.XXX	$.XXX^{\circ} \pm$	FINISH		3S103823-01-7F	CUSTOMER DRAWING				
THESE DRAWINGS AND SPECIFICATIONS ARE THE PROPERTY OF HON HAI PRECISION IND. CO., LTD. AND SHALL NOT BE REPRODUCED, COPIED OR USED IN ANY MANNER WITHOUT THE PRIOR WRITTEN CONSENT OF HON HAI PRECISION IND. CO., LTD.				APPD:	L.C.WU 7/23'10	DWG NO.:	323-0000-1567		
				Q'TY	CHKD: PIER HSU 7/23'10		SCALE	SHEET	REV.
				DR: OWEN ZHANG 7/23'10	DR: OWEN ZHANG 7/23'10		NA	1/2	B

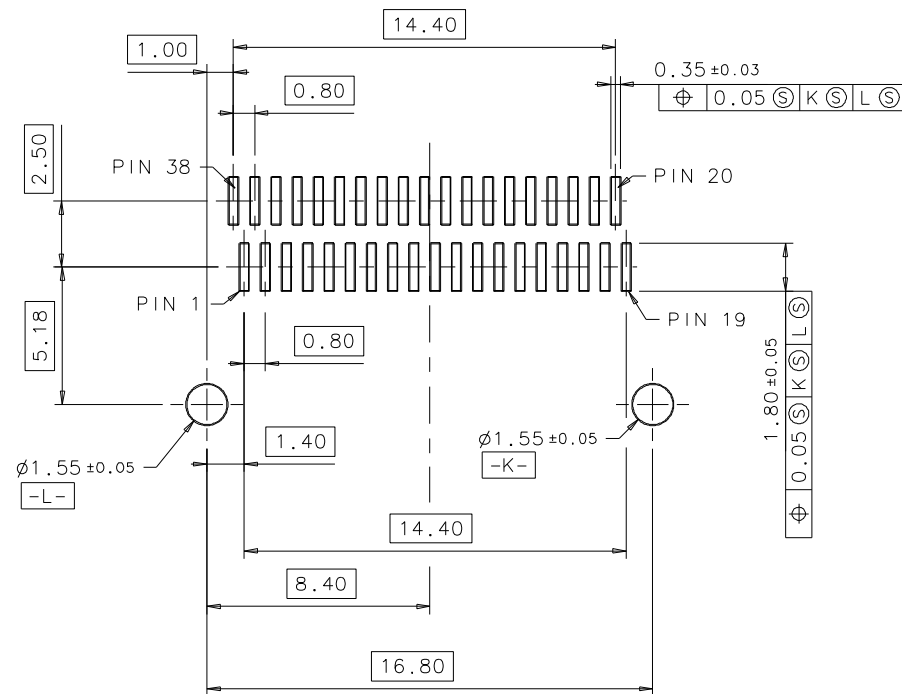
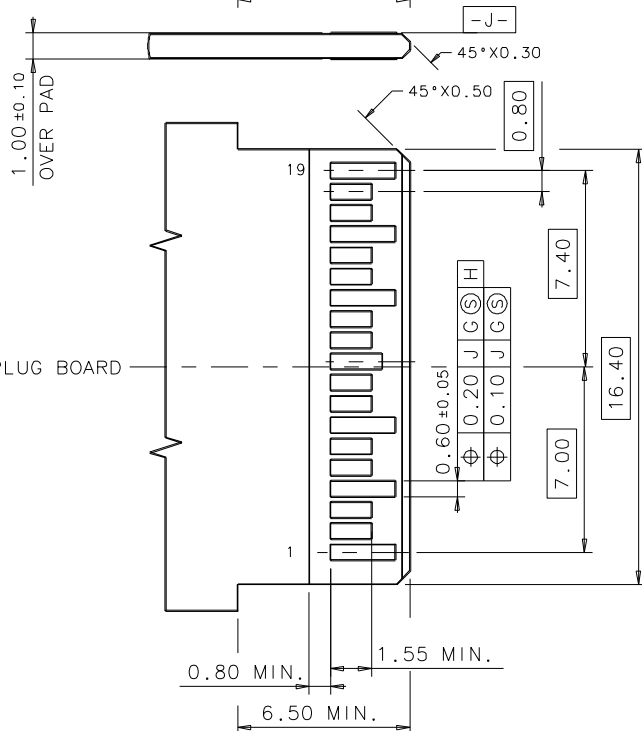
IDEAS GENERATED DRAWING, DON'T CHANGE BY HAND.

REV.	ECN.	NO.	APPD.

TOP VIEW OF PLUG BOARD



BOTTOM VIEW OF PLUG BOARD



RECOMMENDED PCB LAYOUT
(COMPONENT SIDE)

X.	X° ± 5°	UNITS mm	NAME (INTENDED USE)	FOXCONN HON HAI PRECISION IND. CO., LTD. TAIPEI, TAIWAN, R.O.C.
.X ± 0.1	.X° ± 3°	MAT'L	QSFP CONNECTOR	
.XX ± 0.05	.XX° ±	SEE NOTES 1	PART NO. (INTENDED USE)	TITLE:
.XXX	.XXX° ±	FINISH	3S103823-01-7F	CUSTOMER DRAWING
THESE DRAWINGS AND SPECIFICATIONS ARE THE PROPERTY OF HON HAI PRECISION IND. CO., LTD. AND SHALL NOT BE REPRODUCED, COPIED OR USED IN ANY MANNER WITHOUT THE PRIOR WRITTEN CONSENT OF HON HAI PRECISION IND. CO., LTD.			APPD: L.C.WU 7/23'10	DWG NO.:
			Q'TY	323-0000-1567
DR: OWEN ZHANG 7/23'10			CHKD: PIER HSU 7/23'10	SCALE
			DR: OWEN ZHANG 7/23'10	SHEET
				REV.
				NA
				2/2
				B

