



Datasheet

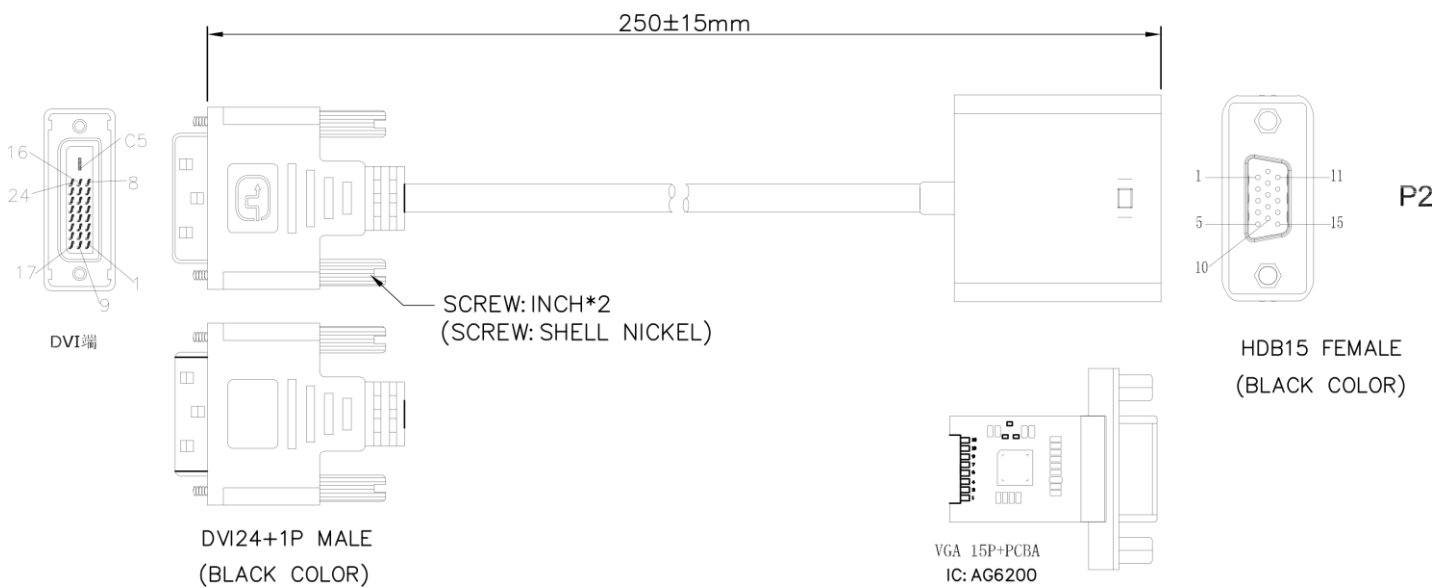
RS PRO 25cm DVI-D to VGA Adapter

Stock number: 236-9105

EN

The RS Pro DVI-D to VGA adapter uses a chipset to convert the digital signal in to an analog signal for use with a VGA monitor. The cable is black PVC, black hoods and a gold connector for a better signal while providing anti-corrosion properties.

Manufactured with UL material UL File number E174939 UL Style number 1007



RoHS / REACH / CE / UKCA

rspro.com