
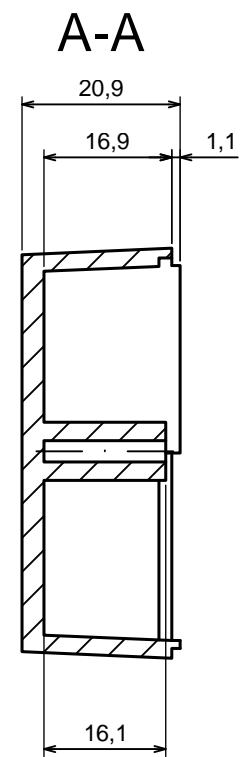
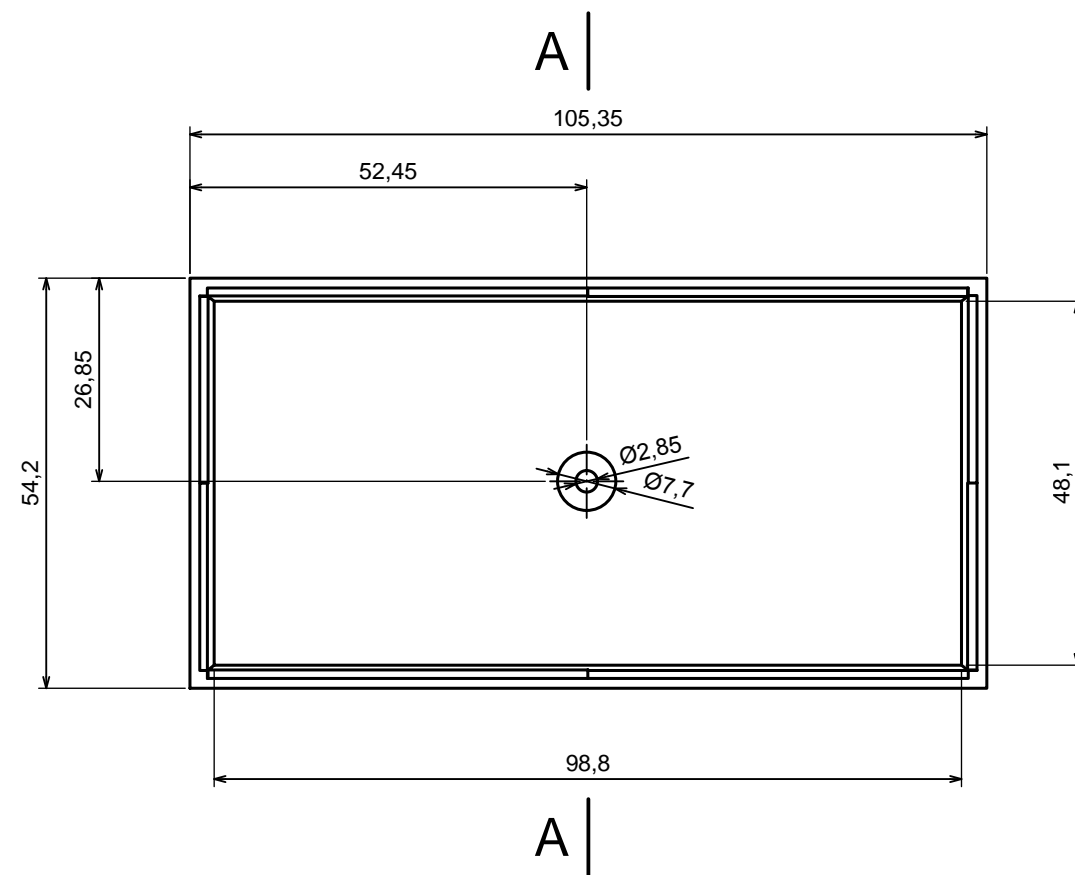


All rights reserved, Copyright Kradox 2016		
Product model	Enclosure Z7A - assembly	
Format: A3	Material: PS, ABS	
Scale 1:1	Tolerance: +/- 0.5	



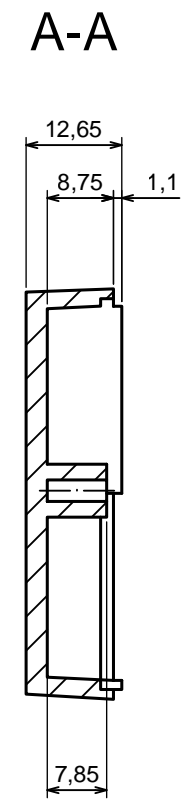
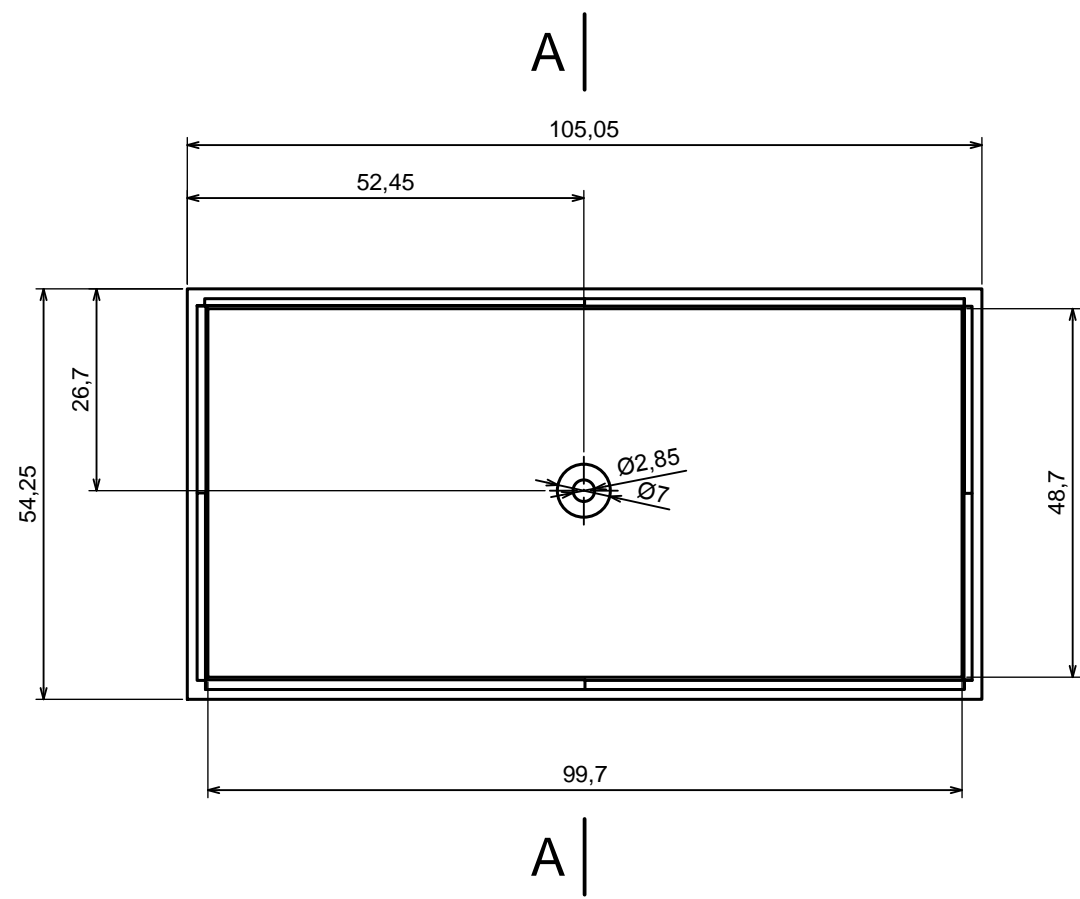
All rights reserved, Copyright Kradox 2016


Product model: Enclosure Z7A - base

Format: A3 Material: PS, ABS

Scale 1:1 Tolerance: +/- 0.5





All rights reserved, Copyright Kradox 2016		
Product model	Enclosure Z7A - cover	
Format: A3	Material: PS, ABS	
Scale 1:1	Tolerance: +/- 0.5	