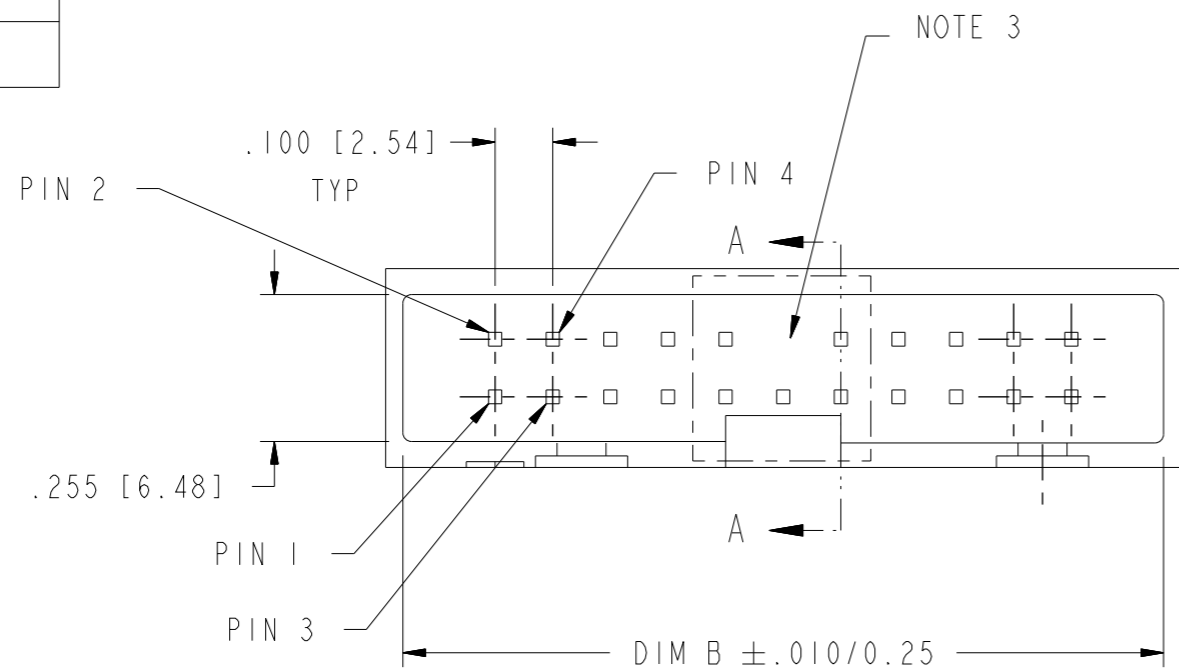


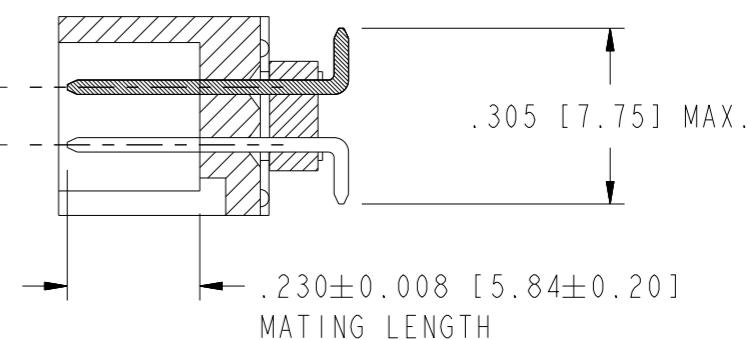
PRODUCT NO

SEE TABLE



.345 [8.76] REF
 $\oplus \varnothing .006 / 0.15 \text{ (M) X}$

NOTE 7

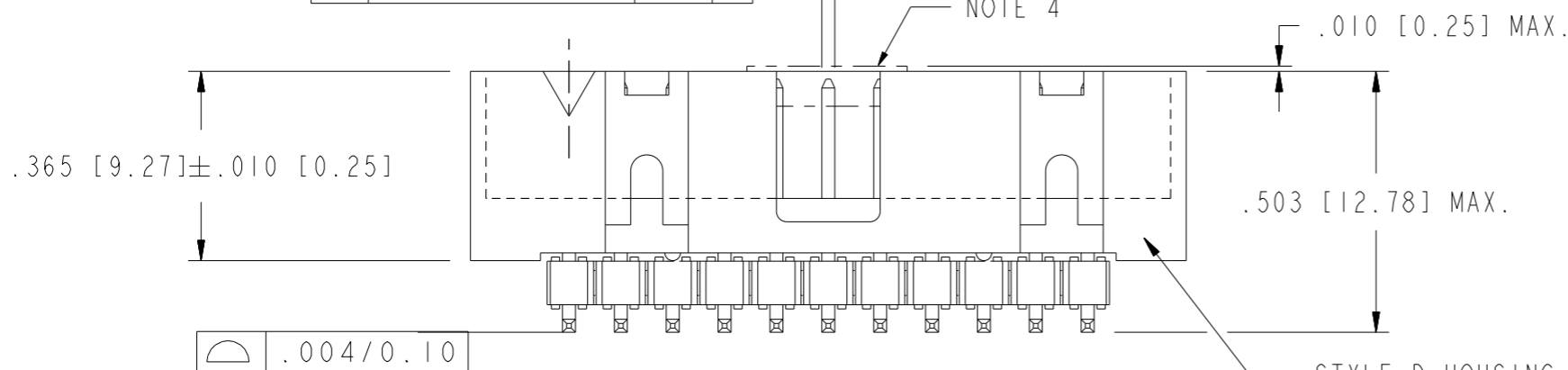


SECTION A-A

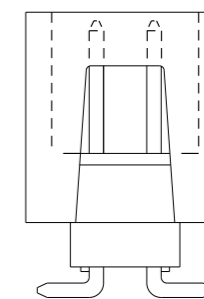
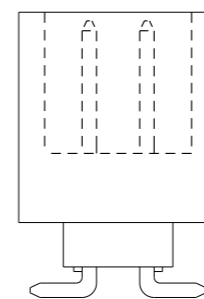
NOTE 5

.025 ± 0.001 [0.64 ± 0.03] TYP
 $\oplus \varnothing .020 / 0.5 \text{ (M) U (M) V}$

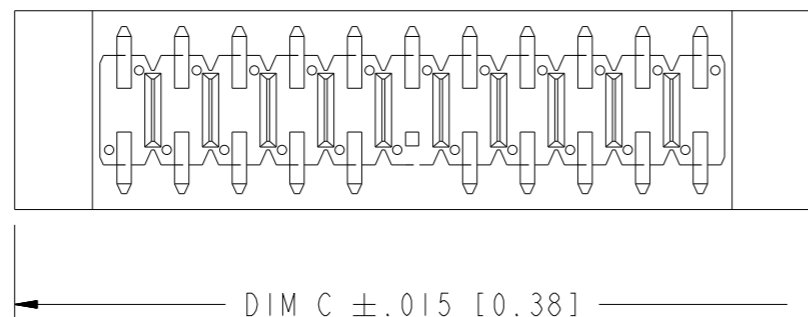
NOTE 4



STYLE D HOUSING
SEE TABLE



w/WINDOW OPTION
SEE TABLE



DRAWN WITHOUT WINDOW OPTION

spec ref		dr	Yong Huang	2010/10/25	projection	INCH / MM	size	A3	scale	1.000		
tolerance std		eng	Zheng-Kun Hu	2013/08/27			ecn no	ELX-N-13688-1				
ISO406		chr	-	-	product family	rel level	Released					
ISO1101							TOLERANCES UNLESS OTHERWISE SPECIFIED					
surface	✓	linear	0.X	±0.3	www.fci.com	cat. no.	QUICK II HDR D/R	SLIMLINE SMT ASSEMBLY	dwg no	72454	rev	AK
			0.XX	±0.13								
			0.XXX	±0.05								
ISO 1302	angular	0°	±2°	Product - Customer Drw		sheet 1 of 4						

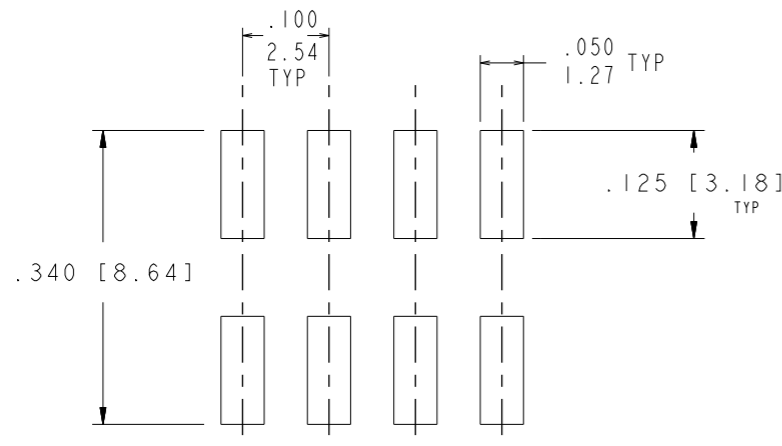
PRODUCT NO SEE TABLE	PLATING CODE	CONTACT AREA PLATING	SOLDER TAIL PLATING
	AA	30u"/.76u GXT OVER 50u"/1.27u Ni	100u"/2.54u Sn OVER 50u"/1.27u Ni
	4	100u"/2.54u Sn OVER 50u"/1.27u Ni	100u"/2.54u Sn OVER 50u"/1.27u Ni

LEAD FREE PLATING	AA	30u"/.76u GXT OVER 50u"/1.27u Ni	100u"/2.54u Sn OVER 50u"/1.27u Ni
	4	100u"/2.54u Sn OVER 50u"/1.27u Ni	100u"/2.54u Sn OVER 50u"/1.27u Ni

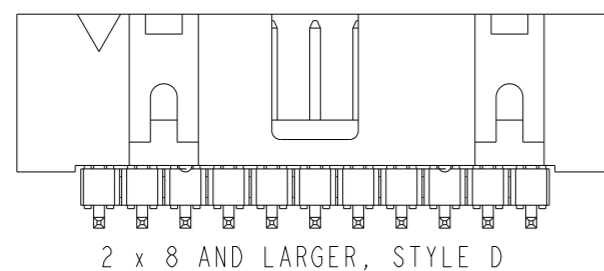
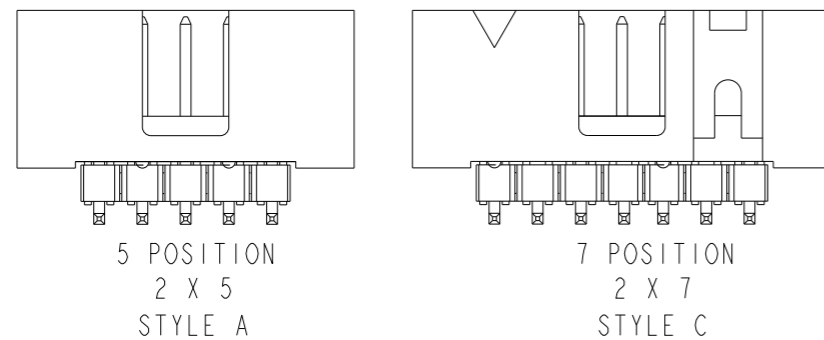
NOTE 11

NOTES:

1. BODY MATERIAL: PA46, GLASS FIBER REINFORCED, FLAME RETARDENT PER UL-94V-0.
COLOR: BLACK
OR
MINERAL FILLED LCP, FLAME RETARDENT PER UL-94V-0
COLOR: BLACK
2. PIN MATERIAL: PHOS-BRONZE.
3. PINS DELETED FROM SPECIFIED LOCATIONS FOR POLARIZATION. SEE TABLE FOR LOCATIONS.
4. PACKAGING OPTIONS: CHECK SPECIFIC PART NUMBERS FOR AVAILABILITY.
PART NUMBERS WITHOUT A SUFFIX ARE PACKAGED
PART NUMBERS FOLLOWED BY A "V" SUFFIX ARE PACKAGED
TAPE-ON-REEL INSTALLED PER BUS-14-200 SECTION 2. VACUUM CAP TO BE CENTRALLY LOCATED REGARDLESS OF NUMBER OF POSITIONS.
PART NUMBERS FOLLOWED BY A "B" SUFFIX ARE PACKAGED IN TRAYS WITH A PICK UP CAP INSTALLED PER BUS-14-445 & SEE GS-14-920 FOR LEAD FREE PACKAGED SPEC.
5. MEASURED WITH PART IN RESTRAINED CONDITION.
6. TWO SIDES OF PIN TIPS NOT PLATED. TYPICAL BOTH ENDS (SIMPLEX PLATING ONLY).
7. 2 LBS/0.9KG MIN PIN RETENTION IN EITHER DIRECTION.
8. ADD "LF" SUFFIX AT THE END OF PART NUMBER FOR LEAD FREE OPTION.
9. THIS PRODUCT MEETS EUROPEAN UNION DIRECTIVES AND OTHER COUNTRY REGULATION AS DESCRIBED IN GS-22-008.
10. THE HOUSING WILL WITHSTAND EXPOSURE TO 260°C PEAK TEMPERATURE FOR 10-20 SECONDS IN A CONVECTION, INFRA-RED OR VAPOR PHASE REFLOW OVEN. SEE APPLICATION NOTES/PROCEDURES IF THEY ARE AVAILABLE.
11. "THIS PRODUCT HAS 100% TIN PLATING IN THE INTERFACE AND HAS NOT BEEN TESTED FOR WHISKER GROWTH IN ALL INTERCONNECT ENVIRONMENTS."
12. PRODUCT SPEC: BUS-12-082



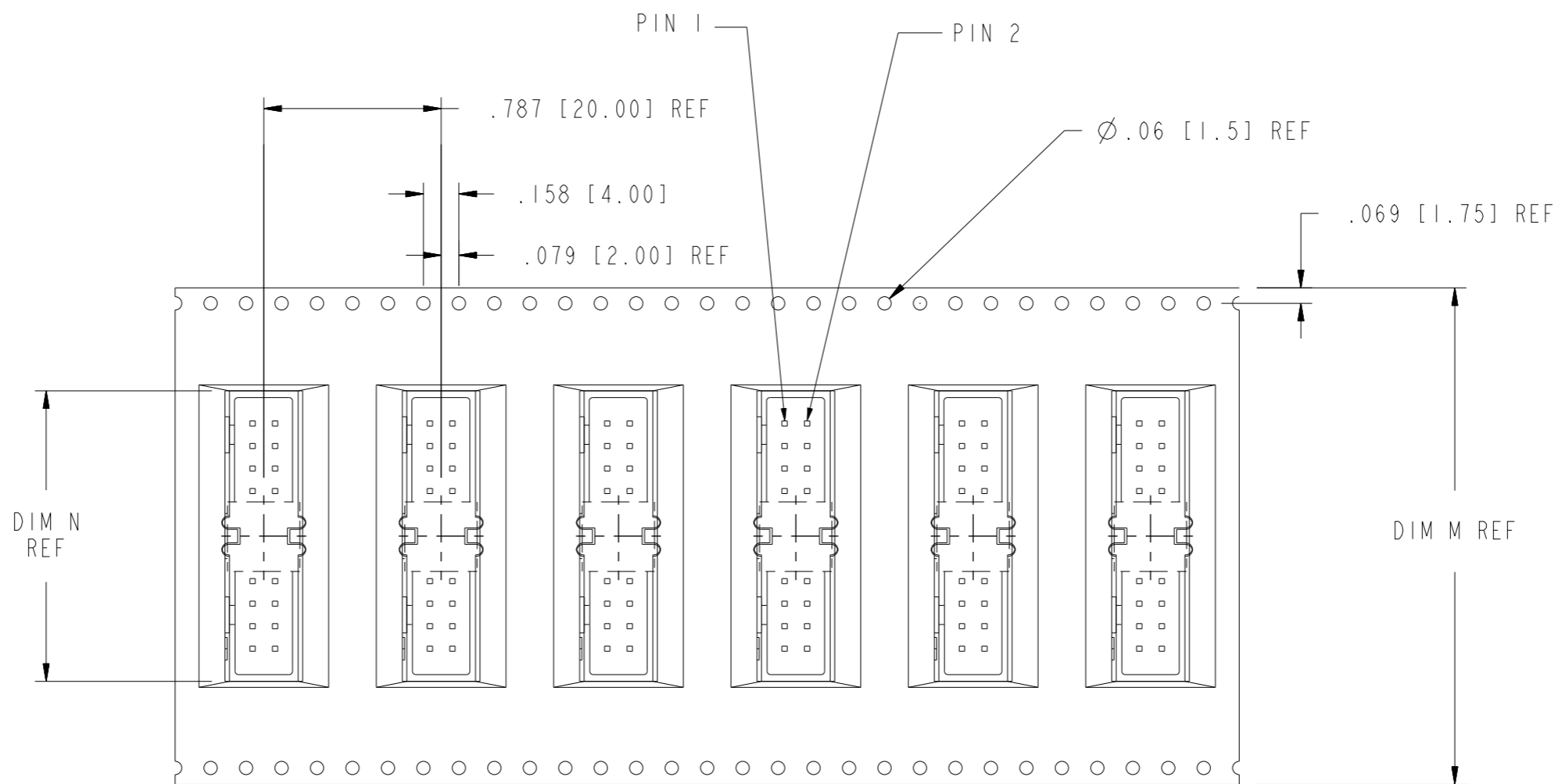
RECOMMENDED PAD LAYOUT
SCALE 4/1



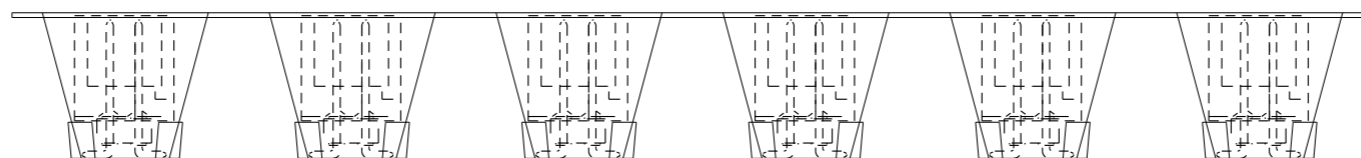
spec ref	dr	Yong Huang	2010/10/25	projection	INCH/MM	size	A3	scale	1.000				
tolerance std	eng	Zheng-Kun Hu	2013/08/27			ecn no	ELX-N-13688-1	rel level	Released				
ISO406 ISO1101	chr	-	-										
surface	linear			product family	QUICK 11 HDR D/R SLIMLINE SMT ASSEMBLY	dwg no	72454	rev	AK				
										ISO 1302	angular	0°	±2°
										www.fci.com	cat. no.	Product - Customer Drw	sheet 2 of 4

PRODUCT NO

SEE TABLE



UN-REELING DIRECTION OF FEED



spec ref		dr	Yong Huang	2010/10/25	projection	INCH / MM	size	A3	scale	1.000
tolerance std		eng	Zheng-Kun Hu	2013/08/27			ecn no		ELX-N-13688-1	
ISO406 ISO1101		chr	-	-			rel level		Released	
TOLERANCES UNLESS OTHERWISE SPECIFIED		appr	Rick Bian	2013/08/27	product family		dwg no		72454	
surface		linear	0.X	±0.3		QUICK II HDR D/R		rev	AK	
			0.XX	±0.13		SLIMLINE SMT ASSEMBLY				
			0.XXX	±0.05		cat. no.			Product - Customer Drw	
ISO 1302		angular	0°	±2°	www.fci.com		PDS: Rev :AK		STATUS:Released	

1	2							3			4	
PRODUCT NUMBER	NO. OF POSITIONS	DIM B	DIM C	STYLE	POLARIZED POSITION	WINDOW OPTION	PLATING CODE	PACKAGING	TAPE WIDTH DIM M	POCKET DEPTH	DIM N	LEAD FREE OPTION
72454-008	2 X 4	.610/15.50	.690/15.33	A	-	N	AA	TRAY	--	--	--	NOTE 8,9
72454-010	2 X 5	.710/18.03	.790/20.07	A	-	N	AA	TRAY	--	--	--	
72454-010V	2 X 5	.710/18.03	.790/20.07	A	-	N	AA	TAPE ON REEL	1.260/32.00	.515/13.08	.790/20.07	
72454-014	2 X 7	.910/23.11	.99/25.2	C	-	N	AA	TRAY	--	--	--	
72454-014V	2 X 7	.910/23.11	.99/25.2	C	-	N	AA	TAPE ON REEL	1.732/44.00	.515/13.08	1.090/27.69	
72454-016	2 X 8	1.010/25.65	1.090/27.69	D	-	N	AA	TRAY	--	--	--	
72454-016V	2 X 8	1.010/25.65	1.090/27.69	D	-	N	AA	TAPE ON REEL	1.732/44.00	.515/13.08	1.090/27.69	
72454-020	2 X 10	1.210/30.73	1.290/32.77	D	-	N	AA	TRAY	--	--	--	
72454-020V	2 X 10	1.210/30.73	1.290/32.77	D	-	N	AA	TAPE-ON-REEL	2.205/56.00	.505/12.83	1.290/32.77	
72454-021	2 X 11	1.310/33.27	1.390/35.31	D	12	N	AA	TRAY	--	--	--	
72454-022	2 X 11	1.310/33.27	1.390/35.31	D	-	N	AA	TRAY	--	--	--	
72454-024	2 X 12	1.410/35.81	1.490/37.9	D	-	N	AA	--	--	--	--	
72454-024V	2 X 12	1.410/35.81	1.490/37.9	D	-	N	AA	TAPE-ON-REEL	2.205/56.00	.515/13.08	1.490/37.85	
72454-026	2 X 13	1.510/38.35	1.590/40.39	D	-	N	AA	TRAY	--	--	--	
72454-026V	2 X 13	1.510/38.35	1.590/40.39	D	-	N	AA	TAPE-ON-REEL	2.205/56.00	0.787/20.00	1.614/41.00	
72454-030	2 X 15	1.710/43.43	1.790/45.47	D	-	N	AA	TRAY	--	--	--	
72454-030V	2 X 15	1.710/43.43	1.790/45.47	D	-	N	AA	TAPE-ON-REEL	2.834/72.00	0.787/20.00	1.771/45.00	
72454-034	2 X 17	1.910/48.51	1.990/50.60	D	-	N	AA	TRAY	--	--	--	
72454-040	2 X 20	2.210/56.13	2.290/58.17	D	-	N	4	TRAY	--	--	--	
72454-040V	2 X 20	2.210/56.13	2.290/58.17	D	-	N	4	TAPE-ON-REEL	3.465/88.00	0.787/20.00	2.290/58.25	
72454-041	2 X 20	2.210/56.13	2.290/58.17	D	-	N	AA	TRAY	--	--	--	
72454-041V	2 X 20	2.210/56.13	2.290/58.17	D	-	N	AA	TAPE-ON-REEL	3.465/88.00	0.787/20.00	2.290/58.25	
72454-044	2 X 22	2.410/61.21	2.490/63.25	D	-	N	AA	TRAY	--	--	--	
72454-050	2 X 25	2.710/68.83	2.790/70.87	D	-	N	AA	TRAY	--	--	--	
72454-051	2 X 10	1.210/30.73	1.290/32.77	D	-	Y	AA	TRAY	--	--	--	
72454-051V	2 X 10	1.210/30.73	1.290/32.77	D	-	Y	AA	TAPE-ON-REEL	2.205/56.00	.505/12.83	1.290/32.77	
72454-052	2 X 20	2.210/56.13	2.290/58.17	D	20	N	AA	TRAY	--	--	--	
72454-053V	2 X 5	0.710/18.03	0.790/20.07	A	9	N	AA	TAPE ON REEL	1.260/32.00	.515/13.08	.790/20.07	

Copyright FCI Copyright FCI

spec ref	dr	Yong Huang	2010/10/25	projection	INCH/MM	size	A3	scale	1.000											
tolerance std	eng	Zheng-Kun Hu	2013/08/27			ecn no	ELX-N-13688-1													
ISO406 ISO1101	chr	-	-			rel level	Released													
surface	appr	Rick Bian	2013/08/27	product family	QUICK II HDR D/R	dwg no	72454		rev	AK										
ISO 1302	TOLERANCES UNLESS OTHERWISE SPECIFIED		<table border="1"> <tr> <td>linear</td> <td>0.X</td> <td>±0.3</td> </tr> <tr> <td></td> <td>0.XX</td> <td>±0.13</td> </tr> <tr> <td></td> <td>0.XXX</td> <td>±0.05</td> </tr> <tr> <td>angular</td> <td>0°</td> <td>±2°</td> </tr> </table>	linear	0.X	±0.3		0.XX	±0.13		0.XXX	±0.05	angular	0°	±2°		SLIMLINE SMT ASSEMBLY www.fci.com	cat. no.	Product - Customer Drw	sheet 4 of 4
linear	0.X	±0.3																		
	0.XX	±0.13																		
	0.XXX	±0.05																		
angular	0°	±2°																		