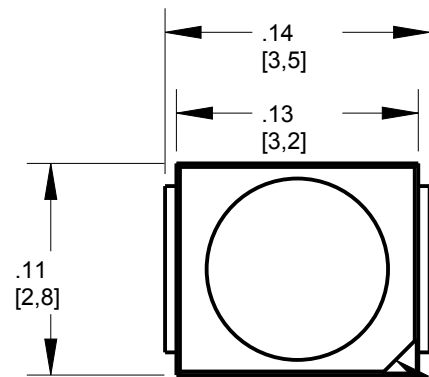
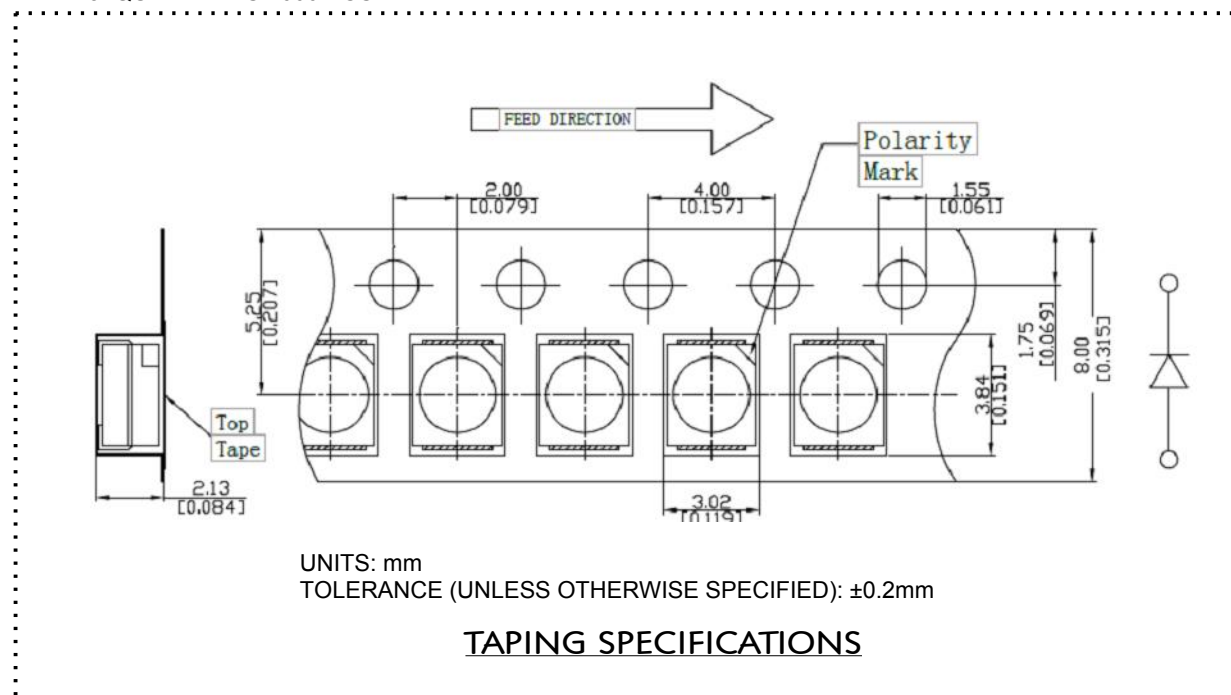
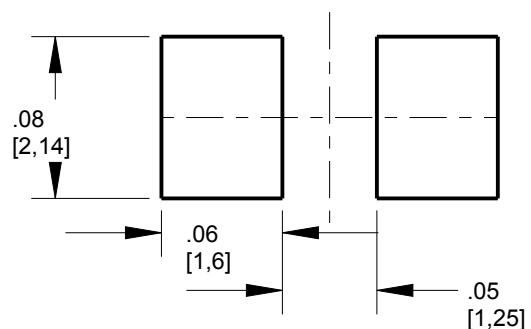
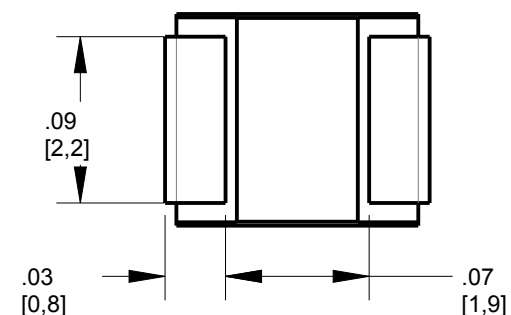
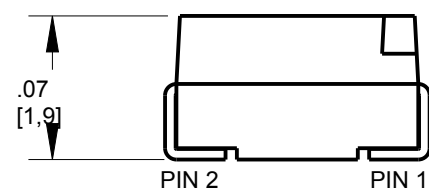


PART NUMBER	LED COLOR (nm)
5988B10102F	RED (623)
5988B10107F	
5988B30102F	ORANGE (605)
5988B30107F	
5988B40102F	YELLOW (590)
5988B40107F	
5988B60102F	YELLOW GREEN (570)
5988B60107F	
5988B80102F	GREEN (525)
5988B80107F	
5988B90102F	BLUE (470)
5988B90107F	

- NOTES:
- PIN NUMBERS ARE FOR REFERENCE ONLY, DESIGNATION NON-EXISTENT ON PART.
 - LABELING FOR REEL AND OUTSIDE OF ALUMINUM BAG, DIALIGHT P/N, QUANTITY PER REEL, DATE CODE, INTENSITY BIN CODE, LOT NUMBER AND COUNTRY OF ORIGIN
 - THIS PRODUCT IS RoHS COMPLIANT. EACH BAG IS TO BE MARKED WITH RoHS COMPLIANT LABEL OR EQUIVALENT MARKINGS. LED MUST BE Pb FREE.
 - MOISTURE SENSITIVITY LEVEL 3
 - QUANTITY IS 2000 PCS/ REEL



POLARITY MARK



UNITS: mm
TOLERANCE (UNLESS OTHERWISE SPECIFIED): ±0.2mm

TAPING SPECIFICATIONS

ABSOLUTE MAXIMUM RATINGS AT 25 °C							
LED COLOR	POWER DISSIPATION (mW)	FORWARD CURRENT (mA)	PEAK FORWARD CURRENT (mA)	REVERSE VOLTAGE (V)	OPERATING TEMPERATURE (°C)	STORAGE TEMPERATURE (°C)	DERATING CURVE FROM 45 °C (mA/°C)
RED	72	30	100	5	-40 TO +85	-40 TO +100	.625
ORANGE	72						.625
YELLOW	72						.625
YELLOW GREEN	72						.625
GREEN	100						.625
BLUE	100						.625

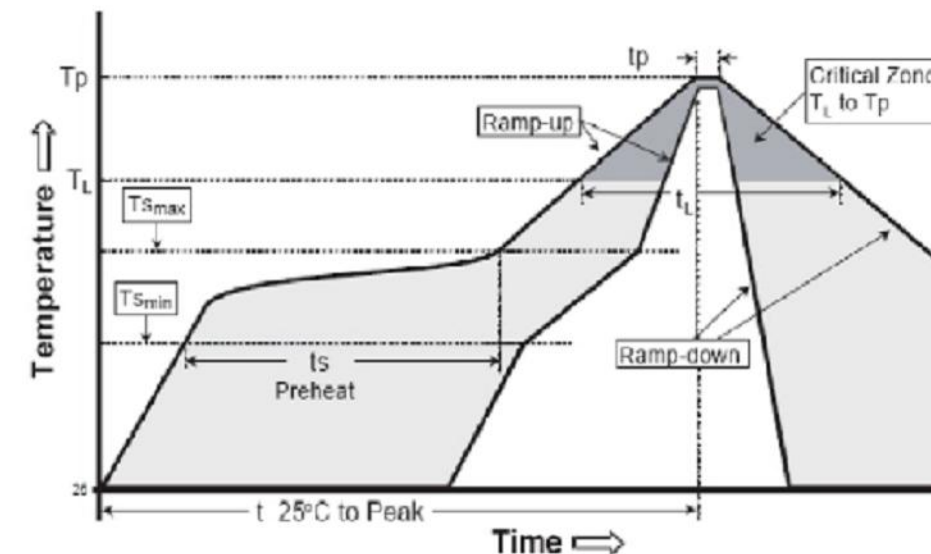
OPERATING CHARACTERISTICS AT 25 °C											
LED COLOR	IF (mA)	LUMINOUS INTENSITY (mcd)			DOMINANT WAVELENGTH (nm)			REVERSE CURRENT MAX	FORWARD VOLTAGE		VIEWING ANGLE (DEG)
		MIN.	TYP.	MAX.	MIN.	TYP.	MAX.		TYP.	MAX.	
RED	20	200	380	560	615	623	630	10µA @ VR=5V	1.8	2.4	120
ORANGE		260	345	430	600	605	610		1.8	2.4	
YELLOW		200	315	430	585	590	595		1.8	2.4	
YELLOW GREEN		40	80	120	565	570	575		1.8	2.4	
GREEN		1200	1750	2300	520	525	530		2.8	3.5	
BLUE		230	395	560	465	470	475		2.8	3.5	



LED SCHEMATIC

REV	REVISIONS	DRN	APP	DATE
A	NEW RELEASE	LD	NO	1-9-19
B	ADDED VIEWING ANGLE, REVISED FORWARD VOLTAGE	LD	NO	7-31-19
C	DERATING VALUE WAS .56	LD	NO	9-20-19

RECOMMENDED RoHS SOLDER PROFILE



MARK	DEFINITION	CONDITION
TS _{max}	Maximum of pre-heating temperature	200 °C
TS _{min}	Minimum of pre-heating temperature	150 °C
T _s	Time form T _{smin} to T _{smax}	60-120 sec
T _L	Reference temperature	217 °C
t _L	Retention time for TL	within 60s
T _P	Peak Temperature	260 °C
t _P	Time for peak temperature	within 10s
DTr/Dt	Temperature rising rate	under 3 °C/sec
DTd/Dt	Temperature decreasing rate	under -3 °C/sec



ATTENTION:
OBSERVE PRECAUTIONS FOR
HANDLING ELECTROSTATIC
SENSITIVE DEVICES

THIS DRAWING AND THE CONTENTS HEREIN ARE CONFIDENTIAL AND THE SOLE PROPERTY OF DIALIGHT CORP. REPRODUCTION OF THIS DRAWING OR CONSTRUCTION OF ANY PARTS WITHIN THIS DRAWING ARE FORBIDDEN WITHOUT THE WRITTEN CONSENT OF DIALIGHT CORP.

SCALE: 10.00	DRAWING NUMBER	REV
ALL DIM's: INCH (mm)	C-18404	C
TOLERANCES: UNLESS OTHERWISE SPECIFIED	TITLE	
FRACTIONS: ±1/64 DECIMALS (.XX): ±.01 DECIMALS (.XXX): ±.008	3528 PACKAGE	
ANGLES: ±1°	MATERIAL	
FINISH		
FSCM 83330		
	SHEET 1 OF 1	FAMILY TABLE:

1501 ROUTE 34 SOUTH
FARMINGDALE, NJ 07727
(732) 919-3119
www.dialight.com