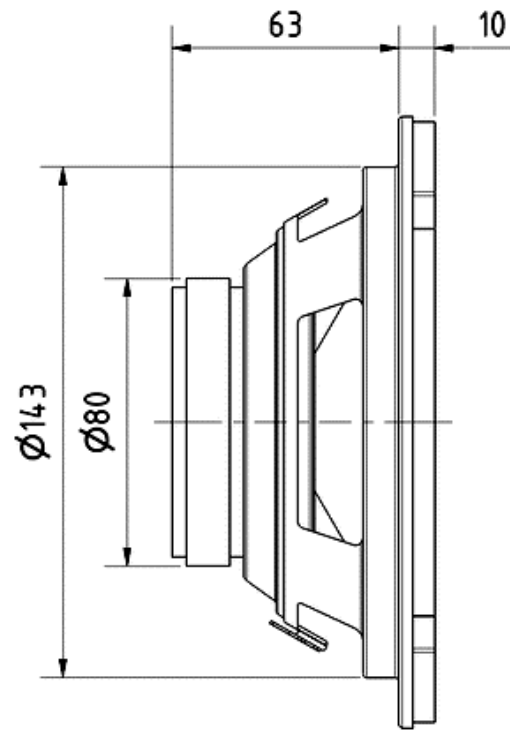
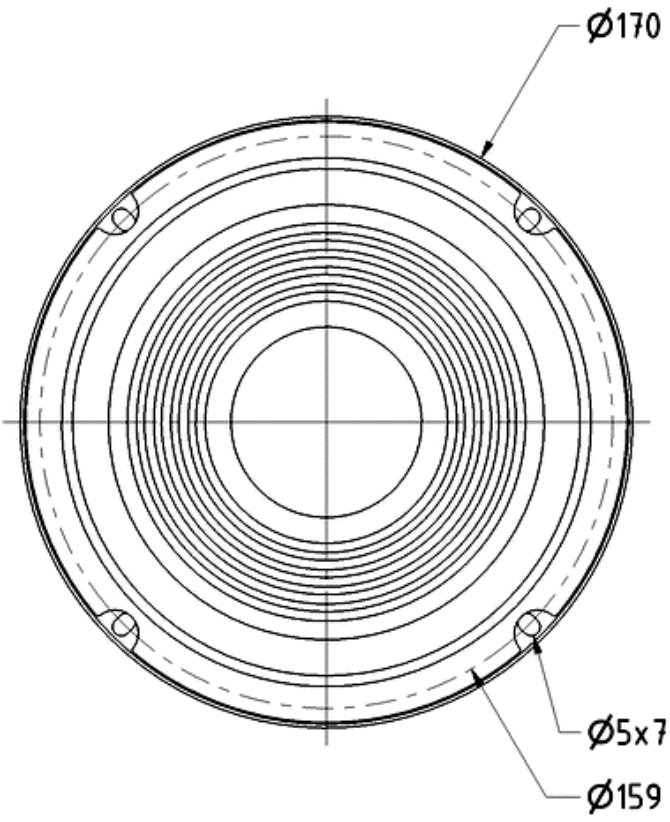


Technical Data

Rated power	40 W
Maximum power	70 W
Nominal impedance Z	8 Ohm
Frequency response	fu-6000 Hz
(fu: Lower cut-off frequency depending on cabinet)	.
Mean sound pressure level	87 dB (1 W/1 m)
Opening angle (-6 dB)	54°/4000 Hz
Excursion limit	+/-7.5 mm
Resonance frequency fs	57 Hz
Magnetic induction	1.0 T
Magnetic flux	240 μWb
Height of front pole-plate	3 mm
Voice coil diameter	25 mm
Height of winding	7 mm
Cutout diameter	146 mm
Net weight	0.77 kg
D.C. resistance Rdc	7.2 Ohm
Mechanical Q factor Qms	2.92
Electrical Q factor Qes	0.90
Total Q factor Qts	0.69
Equivalent volume Vas	24 l
Effective piston area Sd	137 cm ²
Dynamically moved mass Mms	8.7 g
Force factor Bxl	5.0 T m
Inductance of the voice coil L	0.9 mH
Connections	4.8 x 0.8 mm (+) 2.8 x 0.8 mm (-)



W 170
06.03.2008