



Series 801 Mighty Mouse Double-Start ACME Threads Plug 801-007 and 801-008 Ordering Information



Series 801 Plug Connector

Glenair's Series 801 Mighty Mouse connector features a double-start modified stub ACME mating thread for improved protection against cross-mating and thread damage. Connector shells are machined aluminum or stainless steel, and are designed to accommodate (depending on insert arrangement) Glenair size 16 or 20HD fiber optic termini (termini sold separately.) Metal clips inside the connector body lock the termini into place. Termini are removable. Fluorosilicone seals and rear grommet protect the connector from water ingress. Choose hex or knurled coupling nut. Terminate cable shield directly to connector body with Band-Master™ strap, or choose rear accessory thread to attach optional backshell. 18 insert arrangements available for shell sizes 5 through 21.

W

How To Order						
Sample Part Number	801-007	-16	M	7-10	A	A
Series (See Table I)	801-007 = With Banding Platform 801-008 = With Rear Accessory Thread					
Shell Style	-16 = Plug with Anti-Decoupling Spring -26 = Self-Locking Plug with Ratchet Mechanism (the "Clicker")					
Shell Material and Finish	C = Aluminum / Black Anodize (Non-Conductive) RoHS Compliant M = Aluminum / Electroless Nickel RoHS Compliant NF = Aluminum / Cadmium with Olive Drab Chromate ZN = Aluminum / Zinc-Nickel with Olive Drab Chromate ZNU = Aluminum / Zinc-Nickel with Black Chromate MT = Aluminum / Nickel-PTFE RoHS Compliant Z1 = Stainless Steel / Passivated RoHS Compliant					
Shell Size - Insert Arrangement	See Insert Arrangements page W-3, W-6					
Contact Type	Connector supplied without termini. Please indicate pin or socket.					
	A = Pin Connector, Less Termini		B = Socket Connector, Less Termini			
Shell Key Positions (See Table II)	A = Normal B = Pos. B C = Pos. C D = Pos. D E = Pos. F F = Pos. F					

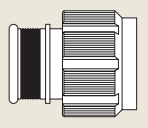
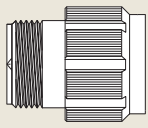
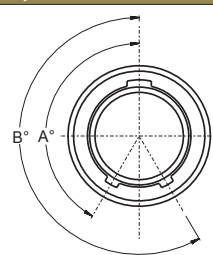
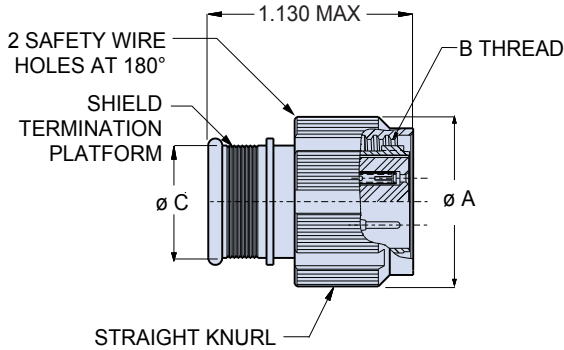
Table I: Series	
 801-007 Banding Platform	 801-008 Rear Accessory Thread

Table II: Key Positions		
	A°	B°
A	150°	210°
B	75°	210°
C	95°	230°
D	140°	275°
E	75°	275°
F	95°	210°

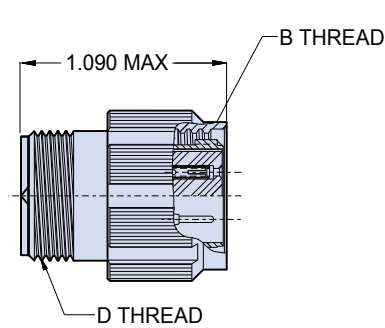


Dimensions in Inches (millimeters) are subject to change without notice.

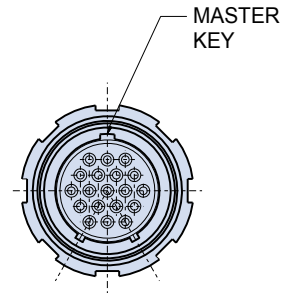
Series 801 Mighty Mouse Double-Start ACME Threads Plug 801-007 and 801-008 Dimensions



Integral Band Platform
801-007



Accessory Thread
801-008



Dimensions								
Shell Size	Ø A Style 16		Ø A Style 26		B Thread	Ø C		D Thread
	In.	mm.	In.	mm.		In.	mm.	
5	0.54	13.72	0.65	16.51	.3125-.05P-.1L-DS-2B	.245	6.22	.2500-32 UNEF-2A
6	0.60	15.24	0.69	17.53	.3750-.05P-.1L-DS-2B	.290	7.37	.3125-32 UNEF-2A
7	0.69	17.53	0.79	20.07	.4375-.05P-.1L-DS-2B	.390	9.91	.4375-28 UNEF-2A
8	0.75	19.05	0.83	21.08	.5000-.05P-.1L-DS-2B	.445	11.30	.5000-28 UNEF-2A
9	0.81	20.57	0.92	23.37	.5625-.05P-.1L-DS-2B	.500	12.70	.5625-24 UNEF-2A
10	0.88	22.35	0.98	24.89	.6250-.05P-.1L-DS-2B	.560	14.22	.6250-24 UNEF-2A
11	0.92	23.37	1.02	25.91	.6875-.05P-.1L-DS-2B	.605	15.37	.6875-24 UNEF-2A
13	1.05	26.67	1.10	27.94	.8125-.1P-.2L-DS-2B	.650	16.51	.6875-24 UNEF-2A
16	1.24	31.50	1.34	34.04	1.0000-.1P-.2L-DS-2B	.805	20.45	.9375-24 UNEF-2A
17	1.30	33.02	1.45	36.83	1.0625-.1P-.2L-DS-2B	.850	21.59	.9375-24 UNEF-2A
19	1.40	35.56	1.50	38.10	1.1875-.1P-.2L-DS-2B	1.003	25.48	1.0625-24 UNEF-2A
21	1.55	39.37	1.65	41.91	1.3125-.1P-.2L-DS-2B	1.110	28.19	1.1875-24 UNEF-2A

Dimensions in Inches (millimeters) are subject to change without notice.