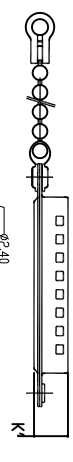


This document is the property of Amphenol Corporation and is addressed to the customer. It is not to be reproduced, modified, or used in any way without the prior consent of Amphenol Corporation. Amphenol Corporation shall not be held liable for any damage or loss of data or information to the extent permitted in this document.

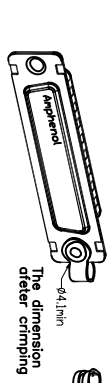
# Customer drawing



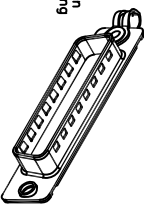
Flat MALE dust cover with Chain, for use with FEMALE connector

Part number

- 09 contacts or shell size E = L17D4K630 09
- 15 contacts or shell size A = L17D4K630 15
- 25 contacts or shell size B = L17D4K630 25
- 37 contacts or shell size C = L17D4K630 37
- 50 contacts or shell size D = L17D4K630 50



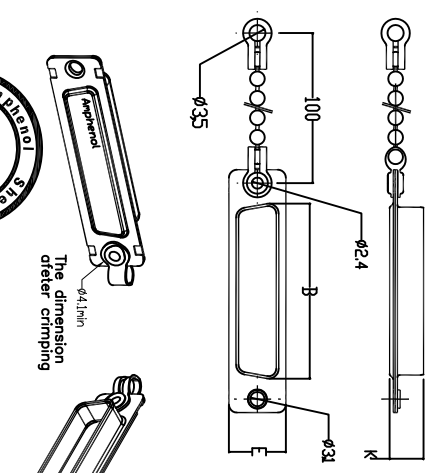
The dimension dieter crimping



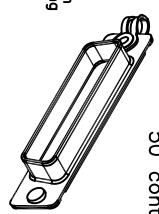
Flat FEMALE dust cover with Chain, for use with MALE connector

Part number

- 09 contacts or shell size E = L17D4K631 09
- 15 contacts or shell size A = L17D4K631 15
- 25 contacts or shell size B = L17D4K631 25
- 37 contacts or shell size C = L17D4K631 37
- 50 contacts or shell size D = L17D4K631 50



The dimension dieter crimping

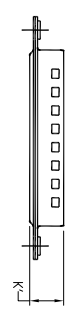


Shell = steel with tin plating

NOTES :  
SHELL : STEEL, 3~5um tin over 2~3um nickel  
RIVET : BRASS, 3~5um tin over 2~3um nickel  
ACCESSORY : BRASS, over 1.25um Min nickel  
CHAIN : BRASS, over 2.5um Min nickel

Size	B'	B	K'	K	E
E	16.8	16.4	7.6	7.9	12.4
A	25.1	24.8	7.6	7.9	12.4
B	38.8	38.5	7.6	7.9	12.4
C	55.3	54.9	7.6	7.9	12.4
D	52.7	52.5	7.6	7.9	15.2

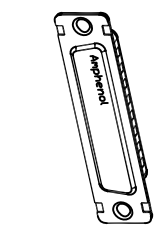
REVISIONS				
SNV	EDN	DESCRIPTION	DATE	APPROVED
1	HK--	First Release Drawing	03/27/09	IP
2	HK--	Add The Material Plating	04/17/19	IP



Flat MALE dust cover without Chain, for use with FEMALE connector

Part number

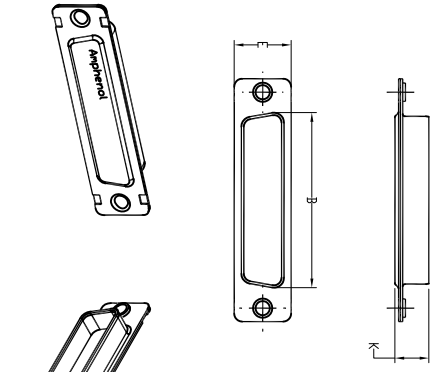
- 09 contacts or shell size E = L17D4K630 10
- 15 contacts or shell size A = L17D4K630 16
- 25 contacts or shell size B = L17D4K630 26
- 37 contacts or shell size C = L17D4K630 38
- 50 contacts or shell size D = L17D4K630 51



Flat FEMALE dust cover without Chain, for use with MALE connector

Part number

- 09 contacts or shell size E = L17D4K631 10
- 15 contacts or shell size A = L17D4K631 16
- 25 contacts or shell size B = L17D4K631 26
- 37 contacts or shell size C = L17D4K631 38
- 50 contacts or shell size D = L17D4K631 51



UNLESS OTHERWISE SPECIFIED TOLERANCES		APPROVAL		DATE	
D.S. AMPHENOL		Victor Li		04/17/19	
X .125		DRAWN		CHECKED	
XX .030		PENG TANG		04/17/19	
XXX .020		CHECKED			
FRACTIONS +/-		DRAWING FILE :			
ANGLES +/-		ANGLE OF PROJECTION			
REMOVE SHARP EDGES		FIRST MATERIALS AND FINISHES			
DIMENSIONS		SIZE			
TENSILES		DRAWING NO.			
MATERIAL		L17D4K63XXX			
		SCALE			
		NONE			
		SHEET 1 OF 1			
		REV. 2			
		TITLE			
		Accessory, Dust Cover			