

THIS DRAWING IS UNPUBLISHED. RELEASED FOR PUBLICATION 20
 © COPYRIGHT 20 BY - ALL RIGHTS RESERVED.

REVISIONS					
P	LTR	DESCRIPTION	DATE	DWN	APVD
A		INITIAL RELEASE	05JUL2016	N.P	X.X
A1		ECR-19-006232	18APR2019	B.P	C.W

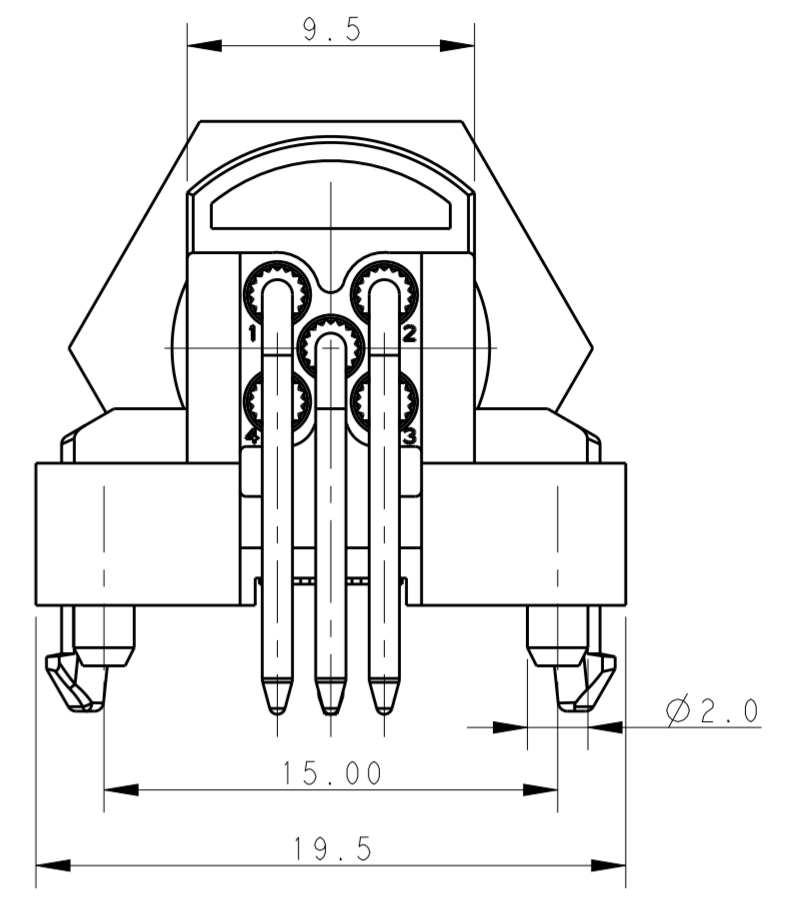
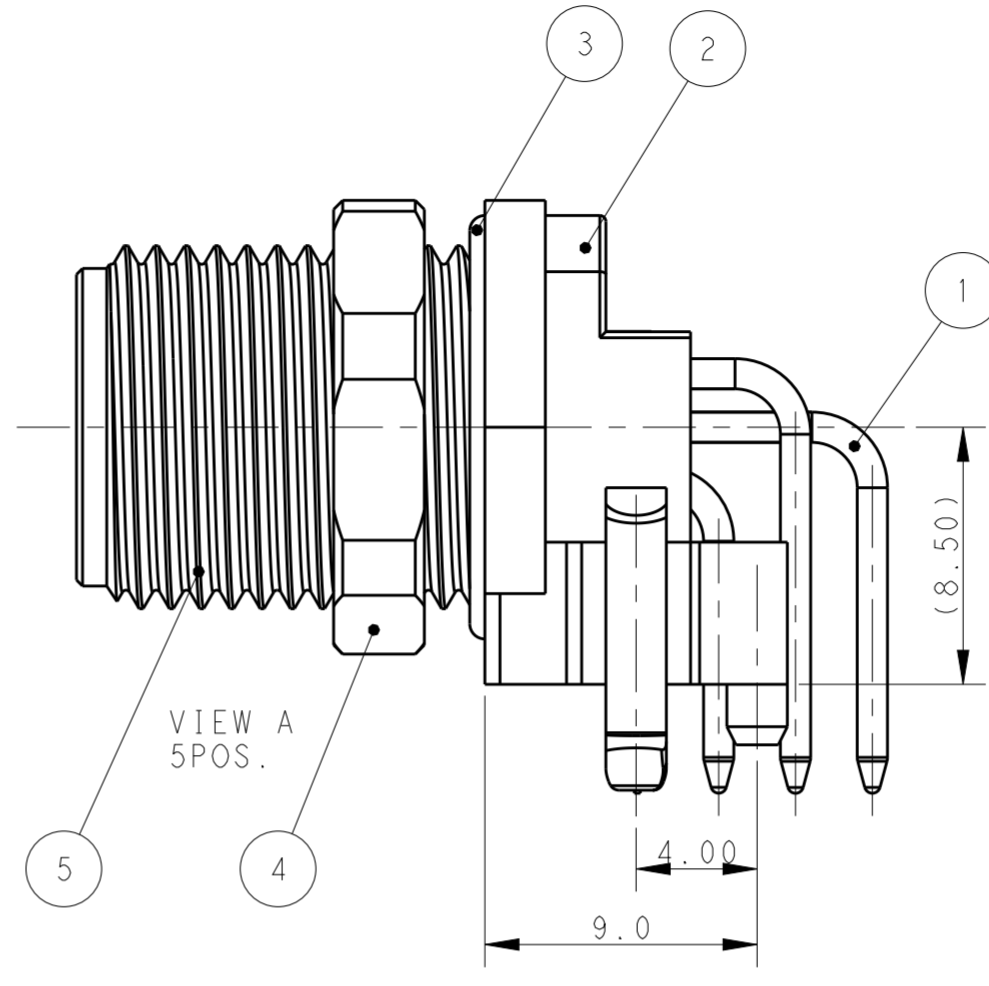
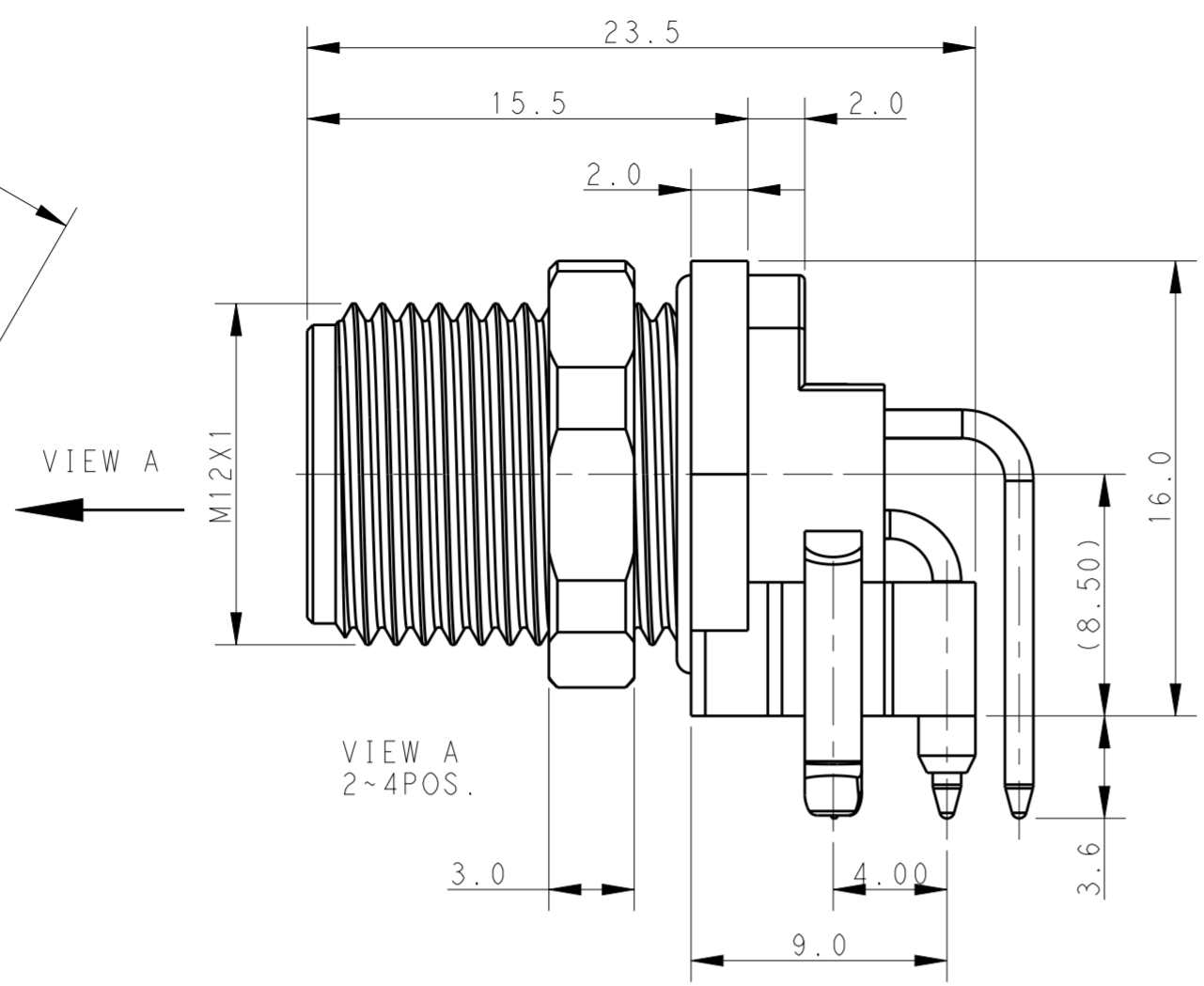
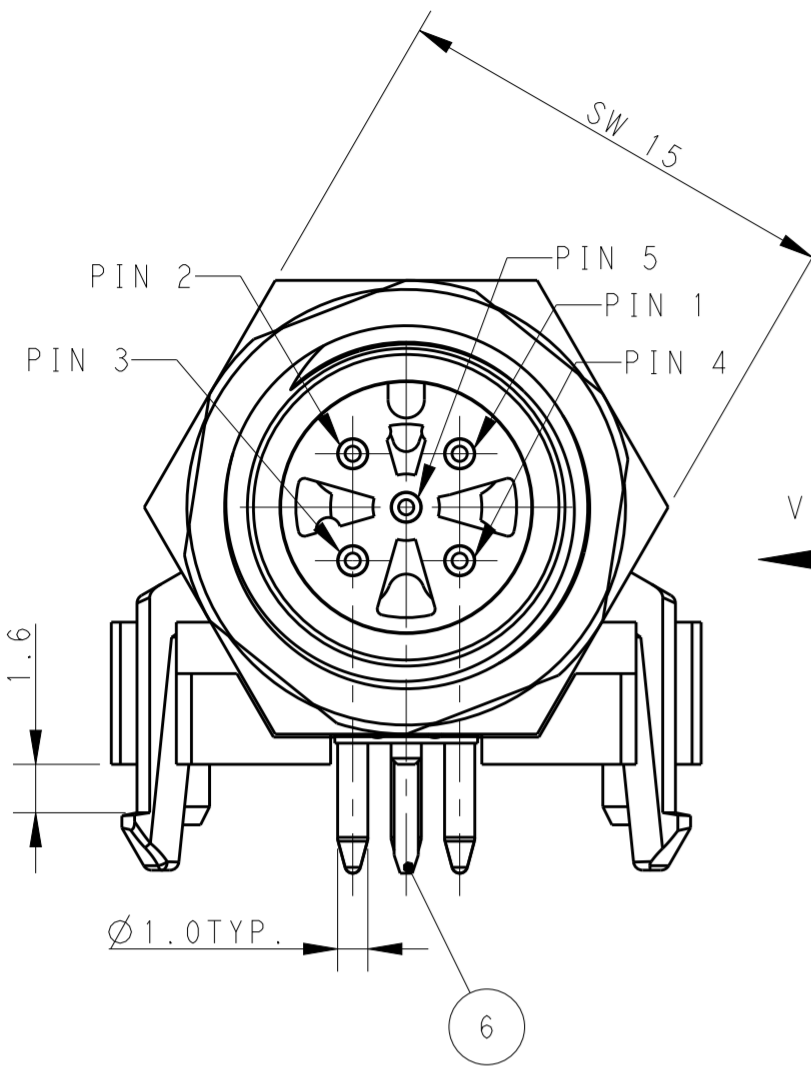
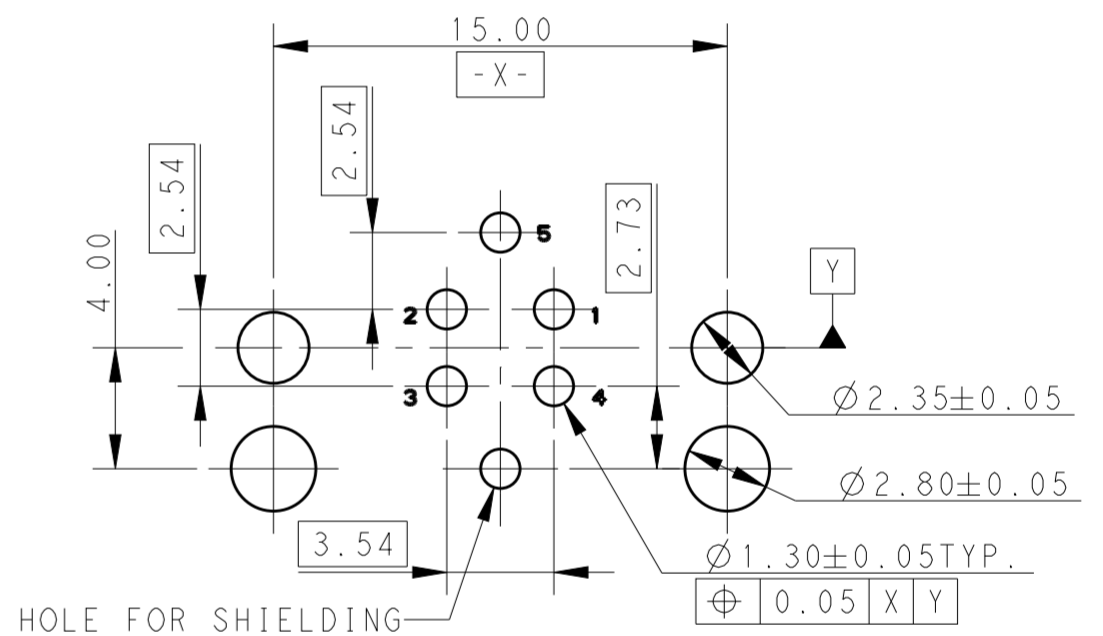
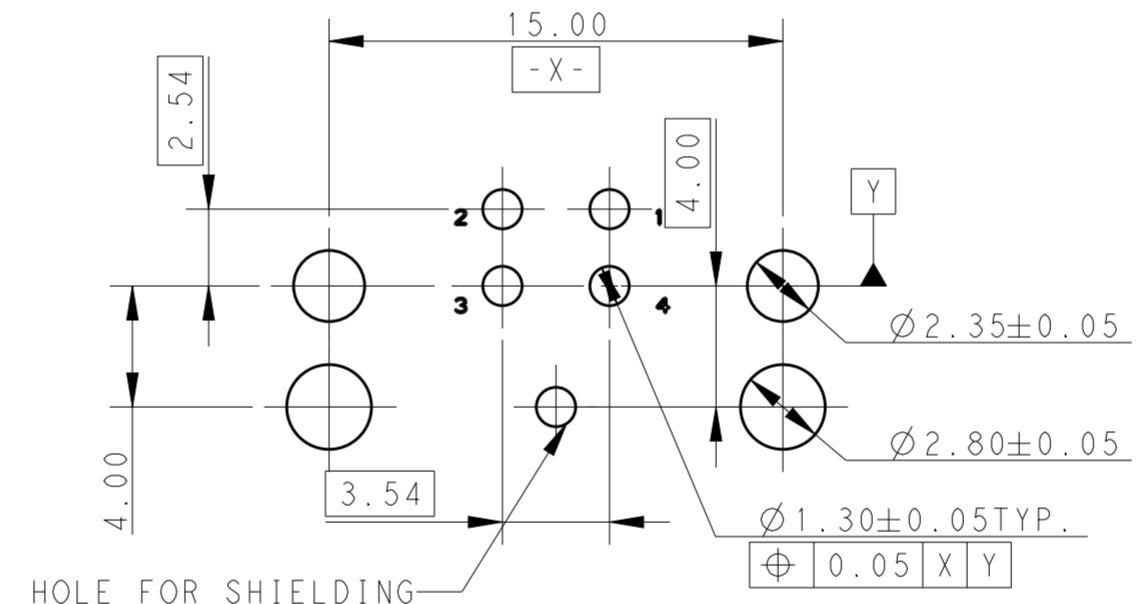
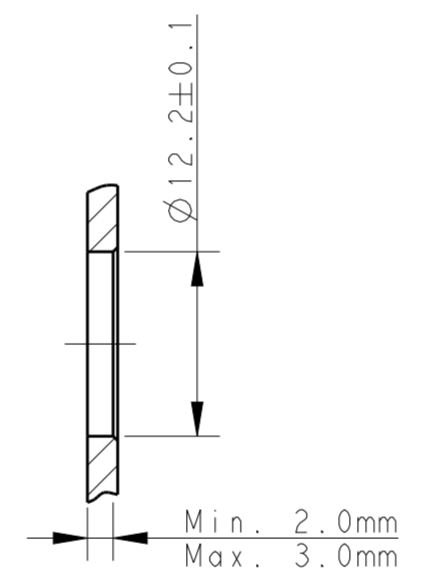


TABLE 1

TECHNICAL DATA	T4144035021-000	T4144035031-000	T4144035041-000	T4144035051-000
RATED VOLTAGE	250V	250V	250V	60V
RATED CURRENT	4A	4A	4A	4A
POLLUTION DEGREE	3	3	3	3
OVERVOLTAGE CATEGORY	II	II	II	II
MATERIAL GROUP	II	II	II	II
DEGREE OF PROTECTION	IP67	IP67	IP67	IP67
OPERATION TEMPERATURE	-40~85°C	-40~85°C	-40~85°C	-40~85°C



RECOMMENDED PANEL SIZE

NOTES:

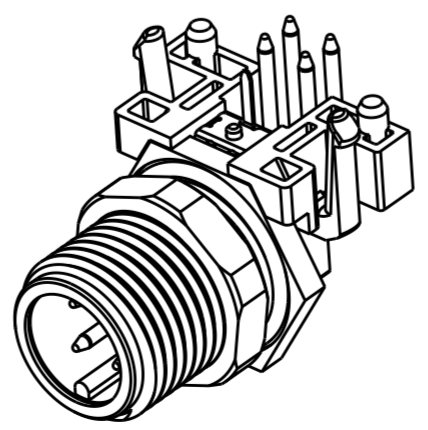
1. TECHNICAL DATA: SEE TABLE 1
2. PIN ARRANGEMENT: SEE TABLE 2
3. RECOMMENDED PANEL CUTOUT AND PCB LAYOUT SEE DETAIL .
4. ALL DIMENSIONS ARE FOR NOMINAL REFERENCE ONLY UNLESS OTHERWISE STATED

注意事项

1. 技术参数：见表1
2. PIN 针排见表2；
3. 推荐面板及PCB开孔尺寸如图所示；
4. 所有尺寸仅供参考，除另外说明。

TABLE 2

PIN ARRANGEMENT A-CODE			
T4144035021-000	T4144035031-000	T4144035041-000	T4144035051-000



THIS DRAWING IS A CONTROLLED DOCUMENT.		DWN Nick Pan 25MAY2016
DIMENSIONS: mm		CHK Kobby Zhao 25MAY2016
TOLERANCES UNLESS OTHERWISE SPECIFIED:		APVD Xiang Xu 25MAY2016
0 PLC	±	PRODUCT SPEC
1 PLC	±0.25	108-106140
2 PLC	±0.15	APPLICATION SPEC
3 PLC	±	114-137144-1
4 PLC	±	WEIGHT
ANGLES	±	
FINISH	-	
MATERIAL TBD		
material_2	finish_spec_2	CUSTOMER DRAWING

COMMENTS	MATERIAL	DESCRIPTION	ITEM
-	COPPER ALLOY	SHIELDING	6
-	COPPER ALLOY	NUT	5
-	COPPER ALLOY	COUPLING NUT	4
	RUBBER	O-RING	3
BALCK COLOR	PA66	HOUSING	2
GOLD FLASH	COPPER ALLOY	CONTACT	1

TYPE	POS.	PART NUMBER
RPC-M12-MRS-5CON-M12-LPU	5	T4144035051-000
RPC-M12-MRS-4CON-M12-LPU	4	T4144035041-000
RPC-M12-MRS-3CON-M12-LPU	3	T4144035031-000
RPC-M12-MRS-2CON-M12-LPU	2	T4144035021-000

		TE Connectivity	
		NAME M12 RIGHT ANGLE PCB ASSEMBLY MALE CONNECTOR, SHIELDED, A-CODE	
SIZE A2	CAGE CODE -	DRAWING NO. C-T41440350X1000	RESTRICTED TO -
SCALE 2:1	SHEET 1 OF 1	REV A1	