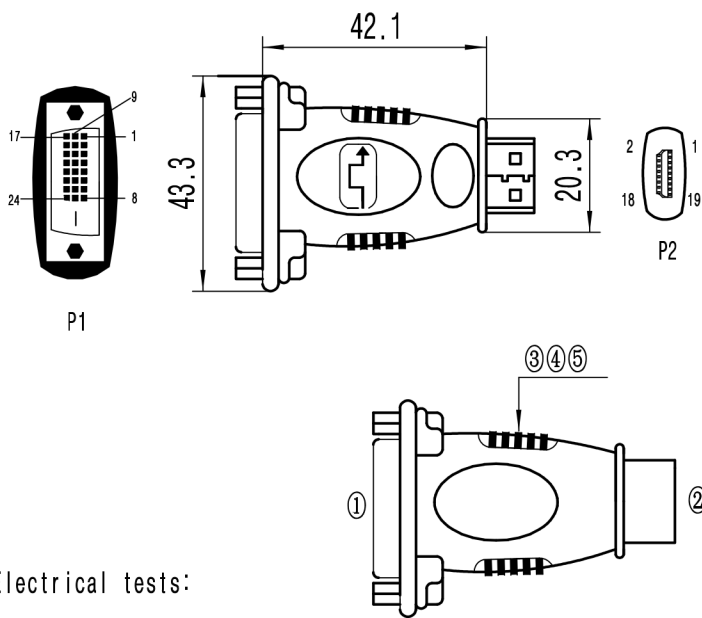
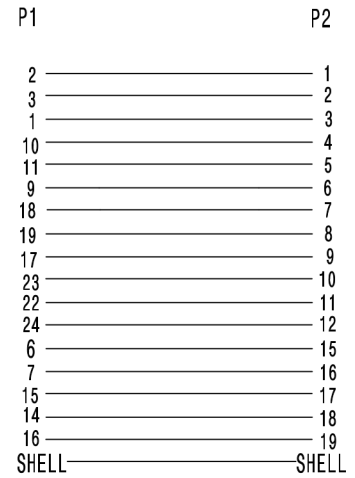


NOTE: ALL MATERIAL ARE RoHS COMPLIANT

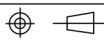


WIRING



Electrical tests:

1. 100% open and short test.
2. Conductor resistance: 5 OHM.
3. Insulation resistance: 5M OHM AT 300V DC.

⑤	45P PVC COLOR:BLACK	LENGTH TOLERANCE: X. ± 0.5 .X ± 0.2 .XX ± 0.1	ANGLE TOLERANCE: X° ± 3° .X° ± 1° UNIT: MM	PRODUCT DESCRIPTION: HDMI A/M-DVI(24+1)/F	ENG:
④	PE white diaphanous			PRODUCT NO:	CHECKED:
③	Electronic wire			PAGE: 1/1 	APPRVED:
②	HDMI male gold plating				
①	DVI(24+1) female gold plating				