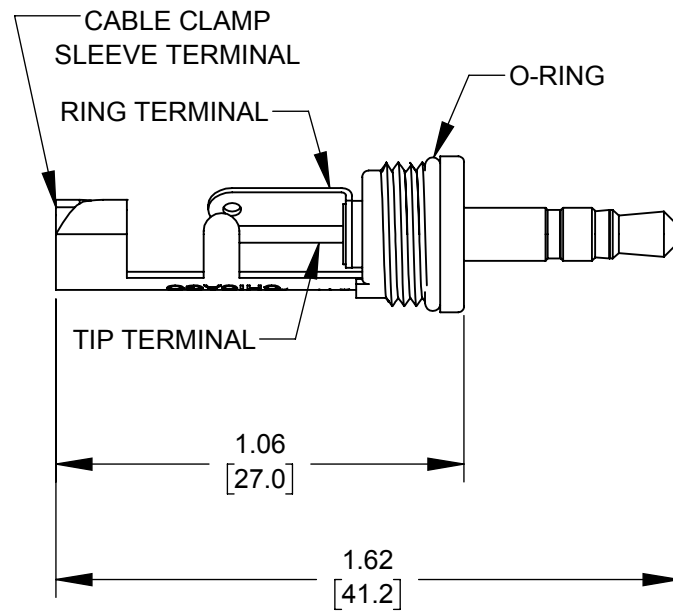
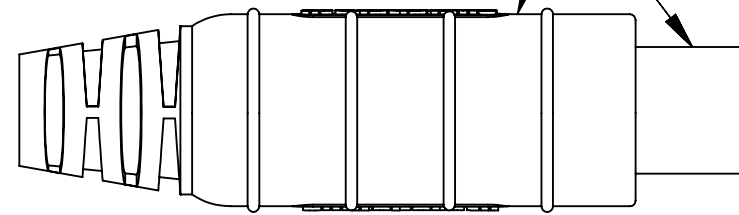
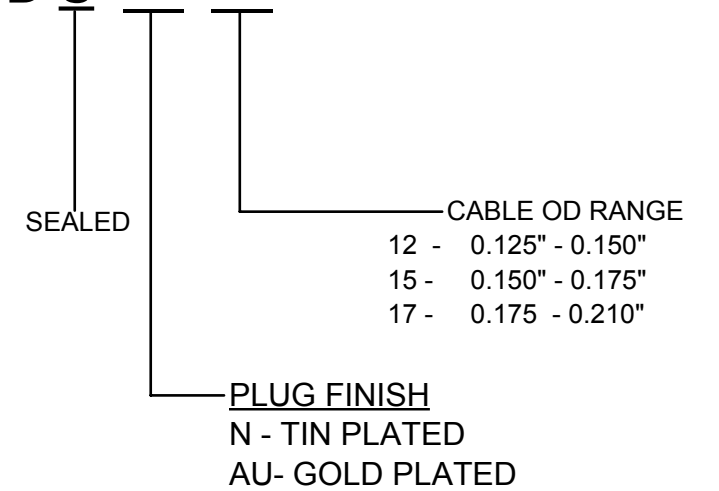


OVERMOLDED HANDLE AND TUBULAR INSULATOR  
SHIPPED UNASSEMBLED



**35HDS**



**NOTES:**

**1. SPECIFICATIONS:**

- CONTACT RESISTANCE: 20 MILIOHMS MAX.
- DIELECTRIC WITHSTANDING VOLTAGE - 250 VAC MIN
- INSULATION RESISTANCE @ 500 VDC - 2,000 MEGAOHMS MIN
- MAX WORKING VOLTAGE - 250 VAC, 140VDC
- CURRENT CARRY @ WORKING VOLTAGE - 4 AMPS
- INSERT / WITHDRAWAL FORCE - TYPICAL 2.5/2 LBS
- TEMPERATURE RANGE: -20°C TO 85°C (OPERATING)
- PASSES IP67 & IP68 AFTER:
- THERMAL SHOCK - MIL-STD-202, METHOD 107G
- VIBRATION - MIL-STD-202, METHOD 201
- LIFE - 5,000 CYCLES

**2. MATERIALS:**

- PLUG BODY, TIP ROD & RING - COPPER ALLOY, TIN OR GOLD PLATED
- PLUG INSULATION - THERMOPLASTIC, BLACK
- RING TERMINAL - COPPER ALLOY, TIN PLATED
- CABLE CLAMP - STEEL, TIN PLATED
- COUPLING RING - COPPER ALLOY, NICKEL PLATED
- HANDLE - COPPER ALLOY, NICKEL PLATED
- OVERMOLDED THERMOPLASTIC
- TUBULAR INSULATOR - MYLAR

**3. THESE PRODUCTS ARE RoHS COMPLIANT.**

**CUSTOMER DRAWING**

					THIS DRAWING DESCRIBES A DESIGN CONSIDERED PROPRIETARY IN NATURE, DEVELOPED AND MANUFACTURED BY SWITCHCRAFT INC. AND IS RELEASED ON A CONFIDENTIAL BASIS FOR IDENTIFICATION PURPOSES ONLY.				
					SIZE *	WIDTH *	MULT *	LBS/M *	TEMPER *
					FINISH *			MATERIAL *	
					SPEC No. *			SPEC No. *	
					FIRST USED ON *		SCALE 2:1		
					DATE DRAWN	BY	CHKD	APVD	
					05/24/18	AM	*	*	
					NAME 3.5MM SEALED, RoHS STEREO PLUG			PART No. 35HDS SERIES	
					DO NOT SCALE DRAWING			REV 0A	
REV	ECO NUMBER	DATE	BY	APVD					
REVISIONS									