

MIC Multipole Panel Plug

6 Way

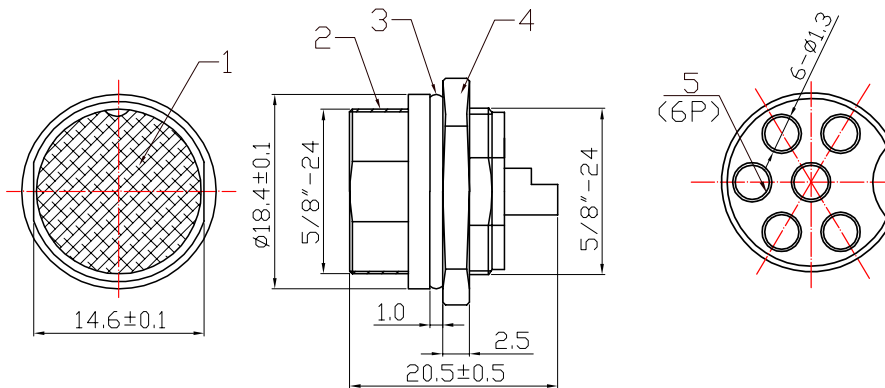
pro-SIGNAL



Specifications

Connector Type	: Circular Industrial
Connector Body Material	: Zinc
Gender	: Plug
Contact Gender	: Pin
Connector Mounting	: Panel
No. of Contacts	: 6
Contact Termination	: Solder
Contact Material	: Copper
Material	: Plated Metal
Panel Cutout Diameter	: 16mm
Rating	: 125V 4A
Min. Insulation Resistance	: 2000MΩ at DC 500V
Dielectric Strength	: 200V AC/1 minute
Max. Contact Resistance	: 10MΩ

Diagram



Dimensions : Millimetres

Item	Designation	Material
1	Dielectric	Bakelite
2	Body	Zn
3	Ferrule	Fe
4	Nut	Zn
5	Pin	Brass

Part Number Table

Description	Part Number
MIC Multipole Panel Plug, 6 Way	PSG01595

Important Notice : This data sheet and its contents (the "Information") belong to the members of the Premier Farnell group of companies (the "Group") or are licensed to it. No licence is granted for the use of it other than for information purposes in connection with the products to which it relates. No licence of any intellectual property rights is granted. The Information is subject to change without notice and replaces all data sheets previously supplied. The Information supplied is believed to be accurate but the Group assumes no responsibility for its accuracy or completeness, any error in or omission from it or for any use made of it. Users of this data sheet should check for themselves the Information and the suitability of the products for their purpose and not make any assumptions based on information included or omitted. Liability for loss or damage resulting from any reliance on the Information or use of it (including liability resulting from negligence or where the Group was aware of the possibility of such loss or damage arising) is excluded. This will not operate to limit or restrict the Group's liability for death or personal injury resulting from its negligence. pro-SIGNAL is the registered trademark of the Group. © Premier Farnell Limited 2016.

www.element14.com
 www.farnell.com
 www.newark.com
 www.cpc.co.uk

pro-SIGNAL