

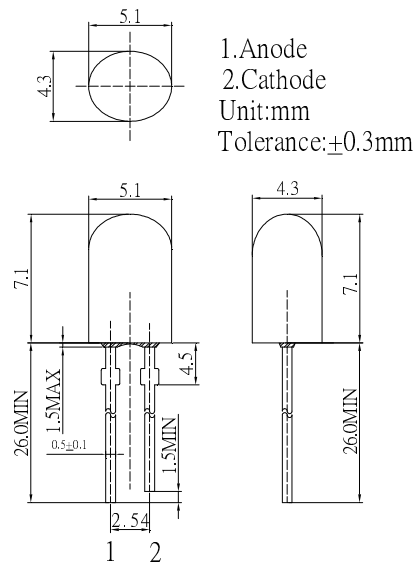
■ **Features**

- Ultra Bright LEDs
- 5.1x4.3mm Standard Directivity
- UV Resistant Epoxy
- Water Clear Type

■ **Applications**

- Traffic Signal
- Backlighting
- Signal and channel letter
- Other Lighting

■ **Outline Dimension**

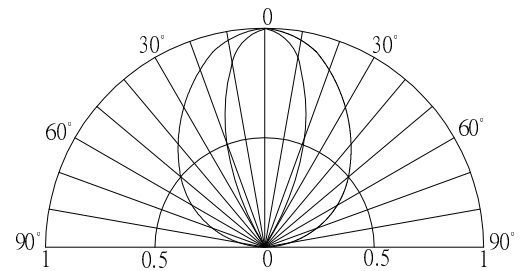


■ **Absolute Maximum Rating**

(Ta=25°C)

| Item | Symbol | Value | Unit |
|----------------------------|------------------|------------|------|
| DC Forward Current | I _F | 50 | mA |
| Pulse Forward Current# | I _{FP} | 130 | mA |
| Reverse Voltage | V _R | 5 | V |
| Power Dissipation | P _D | 170 | mW |
| Operating Temperature | T _{opr} | -30 ~ +85 | °C |
| Storage Temperature | T _{stg} | -40~ +100 | °C |
| Lead Soldering Temperature | T _{sol} | 260°C/5sec | - |

■ **Directivity**



#Pulse width Max.10ms Duty ratio max 1/10

■ **Electrical -Optical Characteristics**

(Ta=25°C)

| Item | Symbol | Condition | Min. | Typ. | Max. | Unit |
|----------------------|-------------------|----------------------|------|--------|------|------|
| DC Forward Voltage*1 | V _F | I _F =20mA | - | 3.0 | 3.4 | V |
| DC Reverse Current | I _R | V _R =5V | - | - | 10 | μA |
| Domi. Wavelength*2 | λ _D | I _F =20mA | 465 | 470 | 475 | nm |
| Luminous Intensity*3 | I _v | I _F =20mA | 8400 | 10000 | - | mcd |
| 50% Power Angle | 2θ _{1/2} | I _F =20mA | - | 100/40 | - | deg |

*1 Tolerance of measurements of forward voltage is ±0.1V

*2 Tolerance of measurements of dominant wavelength is ±1nm

*3 Tolerance of measurements of luminous intensity is ±15%