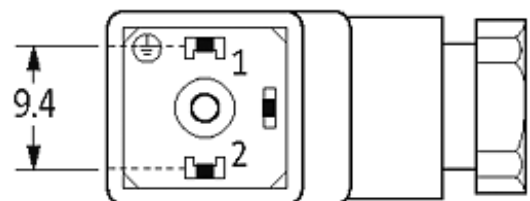
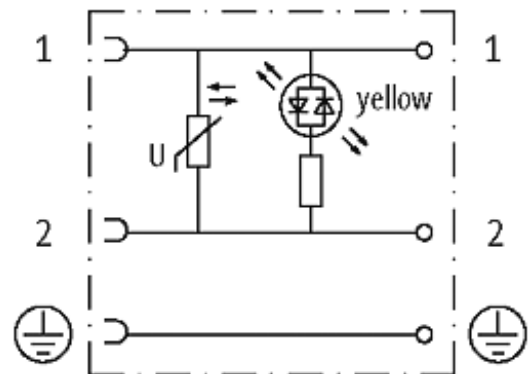
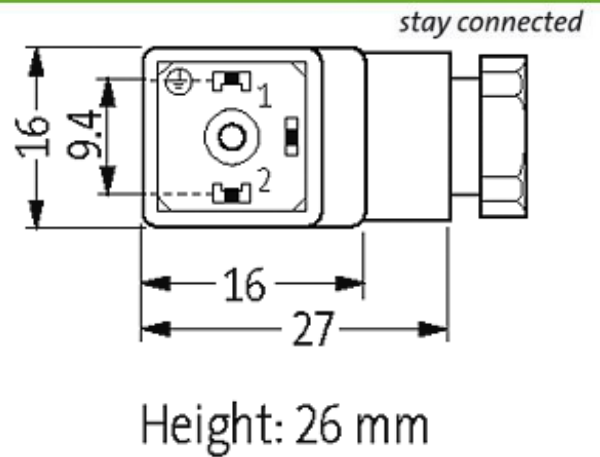


**SVS ECO LED VALVE PLUG FORM CI 9.4 MM LED VDR 110V**

2+PE field-wireable M12

Form CI (9.4 mm)  
110 V AC/DC with LED and VDR  
metric[Link to Product](#)**Illustration**



Product may differ from Image

### Approvals



### Form

Form 30215

### Technical Data

Operating voltage	110 V AC/DC (95...121 V AC/DC)
Operating current per contact	max. 1.5 A
Connection cross section	0.34...0.5 mm <sup>2</sup>
Sealing range (cable Ø)	4...6 mm
Locking of ports	M3 (recommended torque 0.4 Nm)
Compression gland	M12 × 1.75 mm
Contact figure	Cable outlet can be turned in 90° steps
Protection	IP65 inserted and tightened

### General data

Temperature range -40...+60 °C

### Commercial data

country of origin	HU
customs tariff number	85369010
minimum order quantity	1