

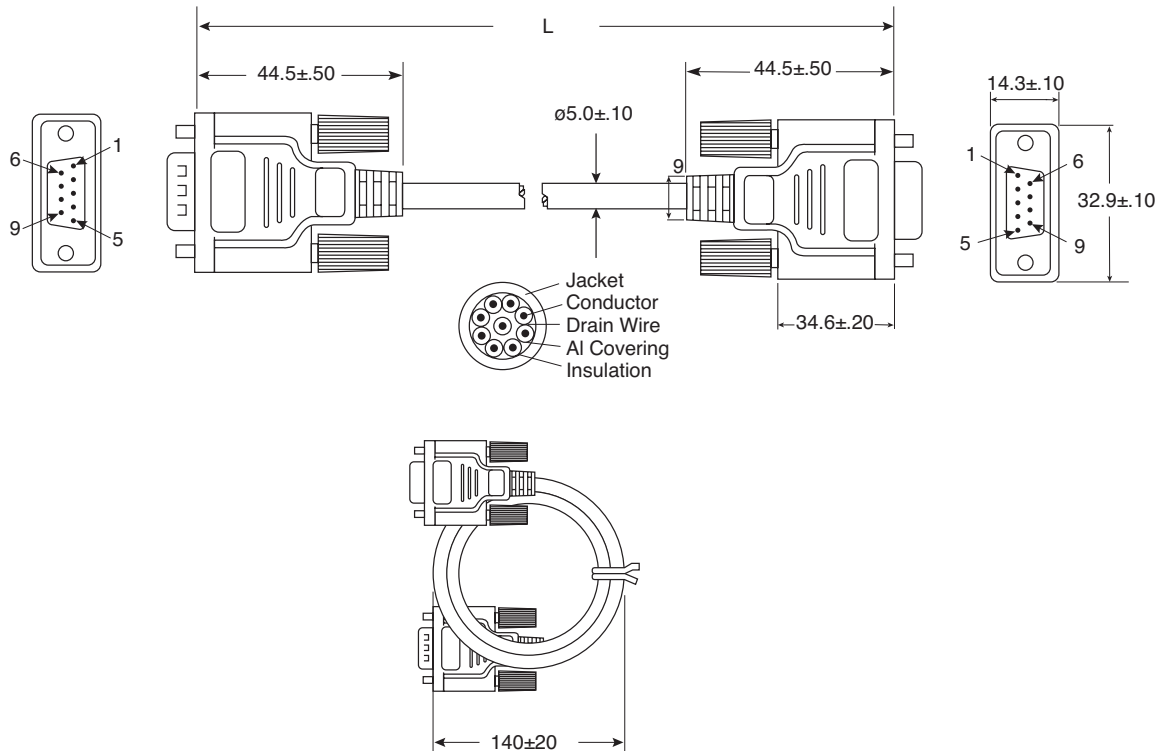
Extension Cable

172-0910, 172-0906



Extension Cable

DIMENSIONS: mm



SPECIFICATIONS

Molding PVC Color:	Beige
Screw:	4-40
Cable:	28 AWG
Maximum Current:	500mA
Insulator:	PBT with 30% Glass Fiber
Housing:	Nickel Plated Steel
Pin:	Brass Contact 1u" Gold Plated

Mouser Stock No.	Description	L
		mm
172-0910	DB9P M / 9p F 10 Feet	3050±50
172-0906	DB9P M / 9p F 6 Feet	1830±50

Date Last Revised: 10/1419

Available from Mouser Electronics
 1-800-346-6873
www.mouser.com

KC-300363

172-0910, 172-0906

Mouser Electronics

Authorized Distributor

Click to View Pricing, Inventory, Delivery & Lifecycle Information:

[Kobiconn:](#)

[172-0910](#) [172-0906](#)