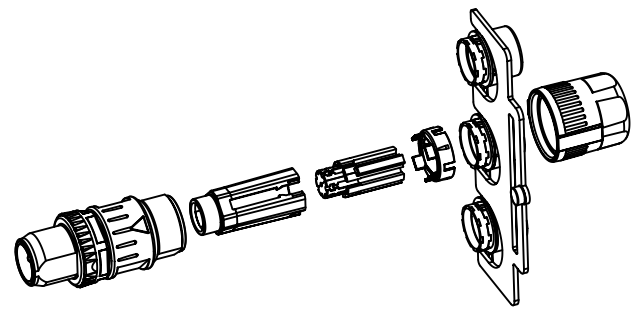


order contacts separately



5,7-8,8mm		AWG 26-22		21 01 100 9020	
cable Ø		wire gauge		part number	
All Dimensions in mm Original Size DIN A4		Scale 1:1	Free size tol.		Ref. Sub.
All rights reserved Department EC PD - RO	Created by POPESCUD	Inspected by TAMAS	Standardisation HOFFMANN	Date 2017-10-02	State Final Release
	Title M12 crimp Slim Design 8-pole A-coded male				Doc-Key / ECM-Nr. 100559357/UGD/000/D 500000124.707
HARTING Electronics GmbH D-32339 Espelkamp		Type TB	Number 21038211805		Rev. D Page 1/1