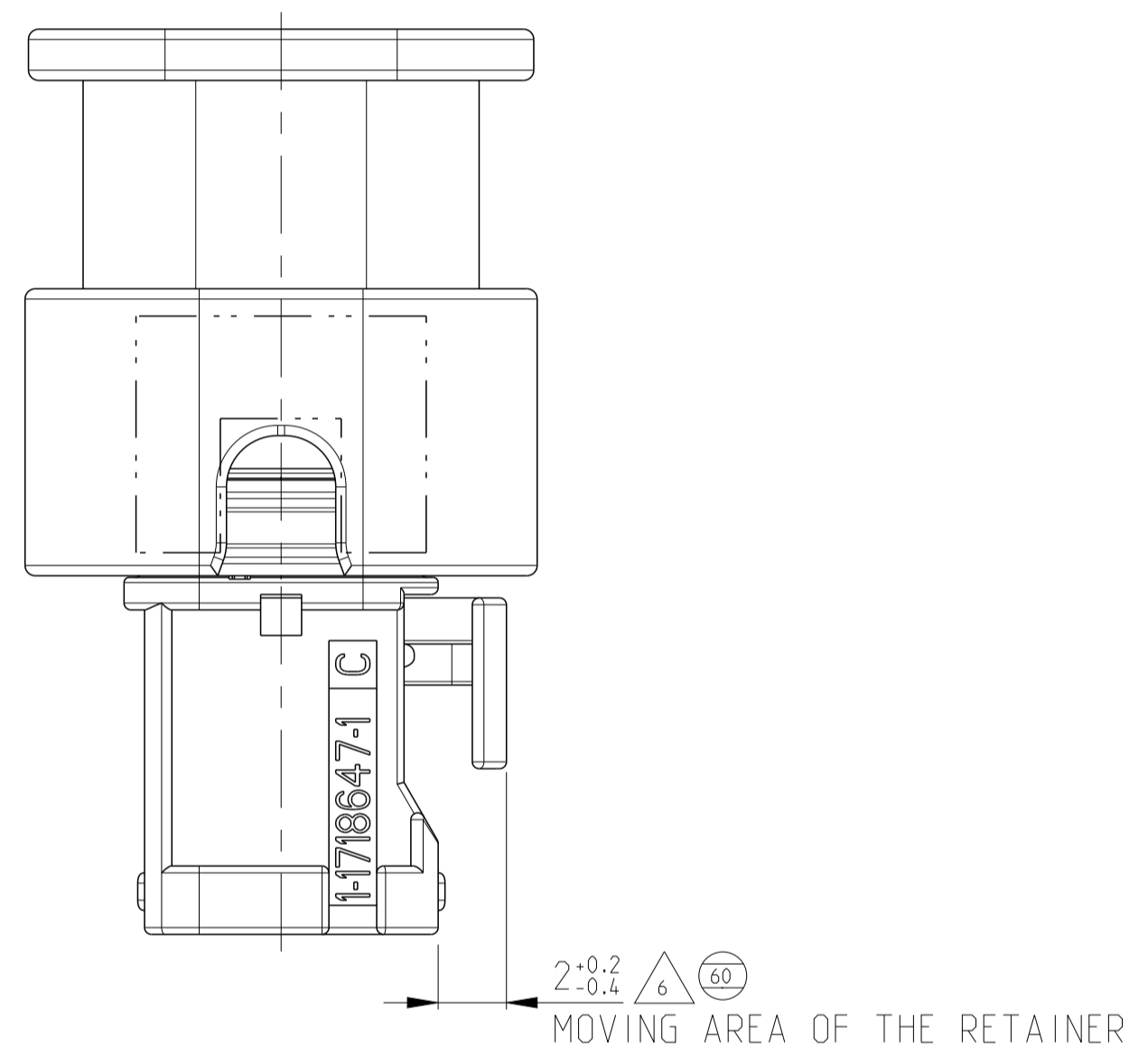
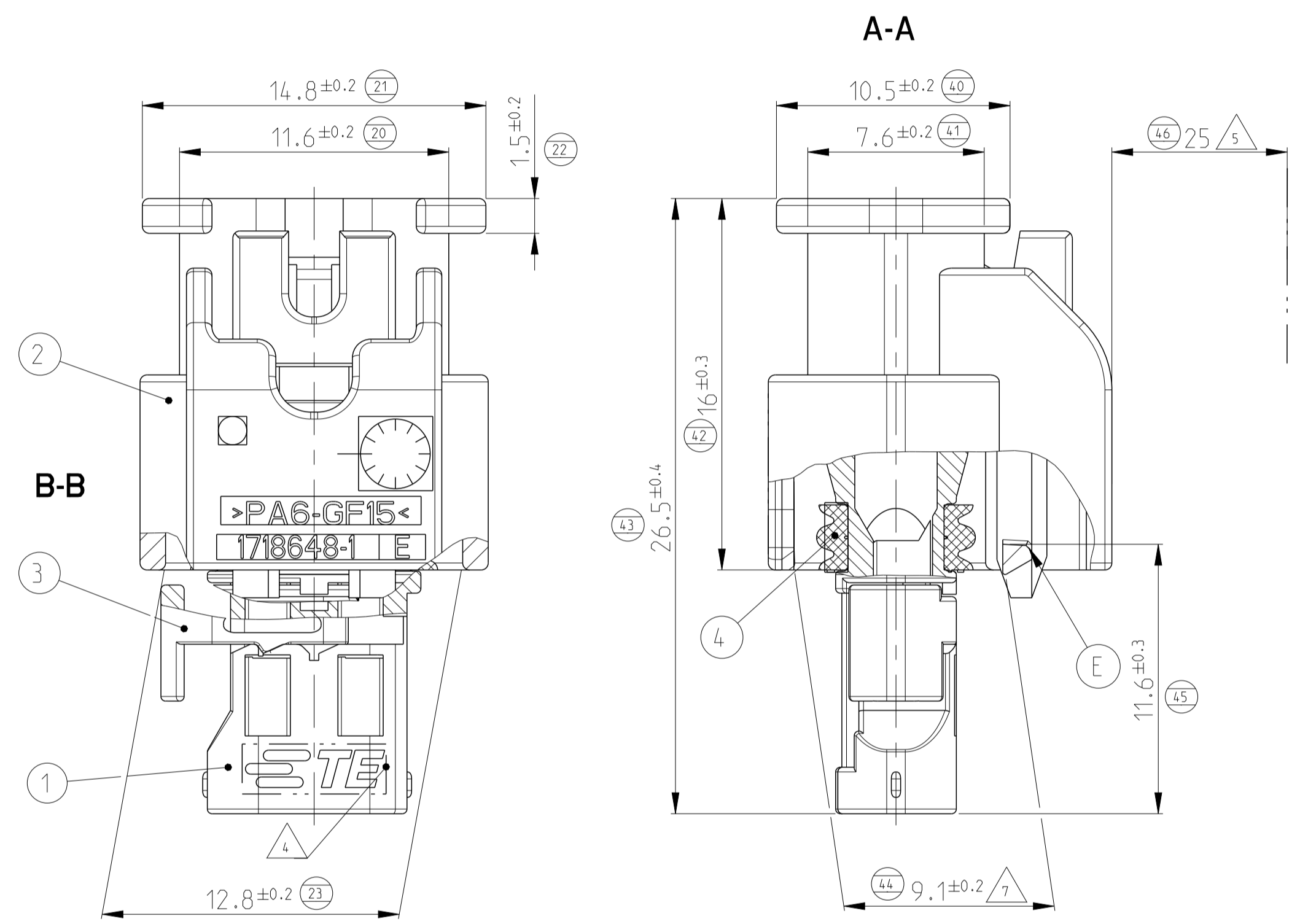
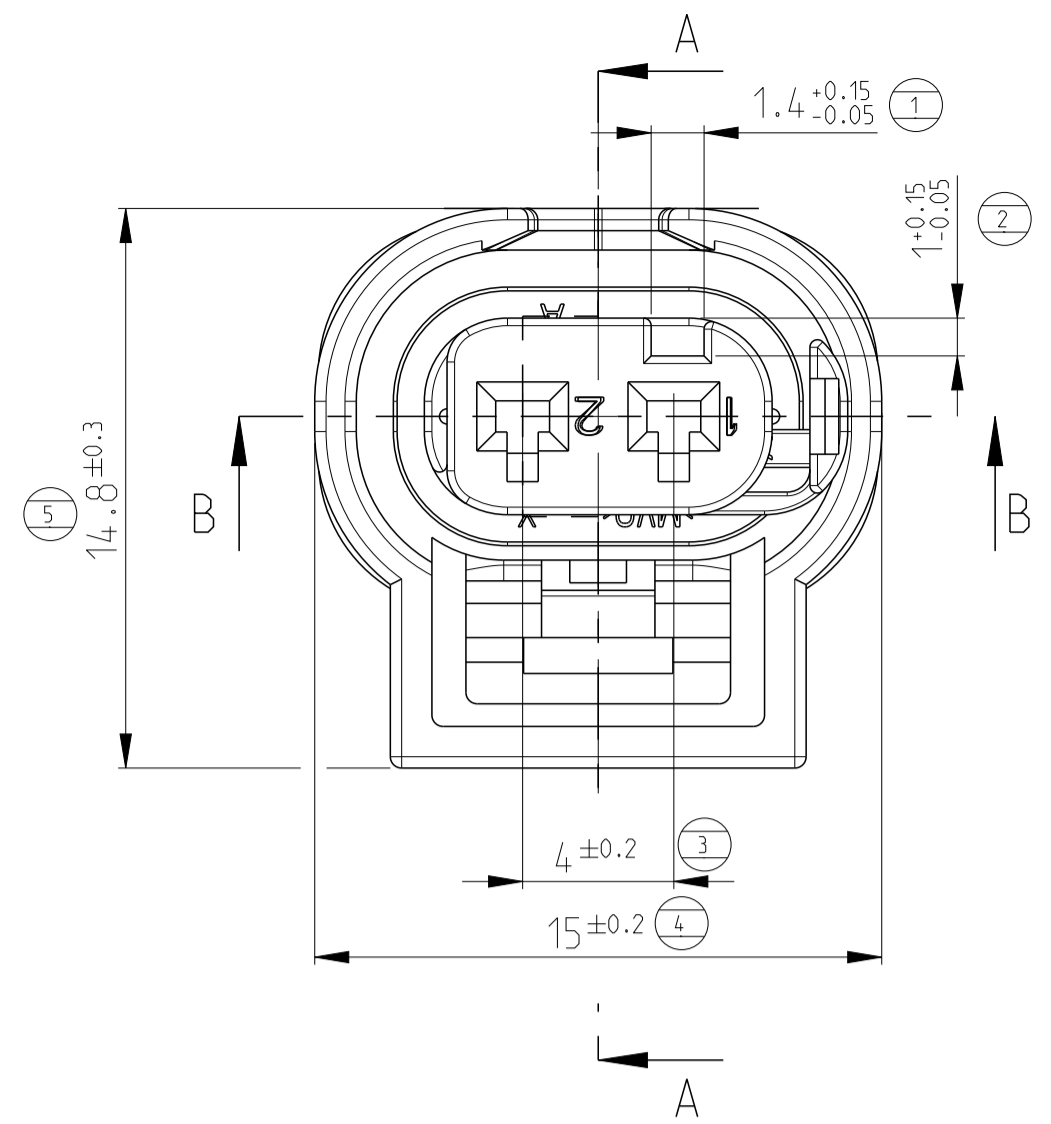
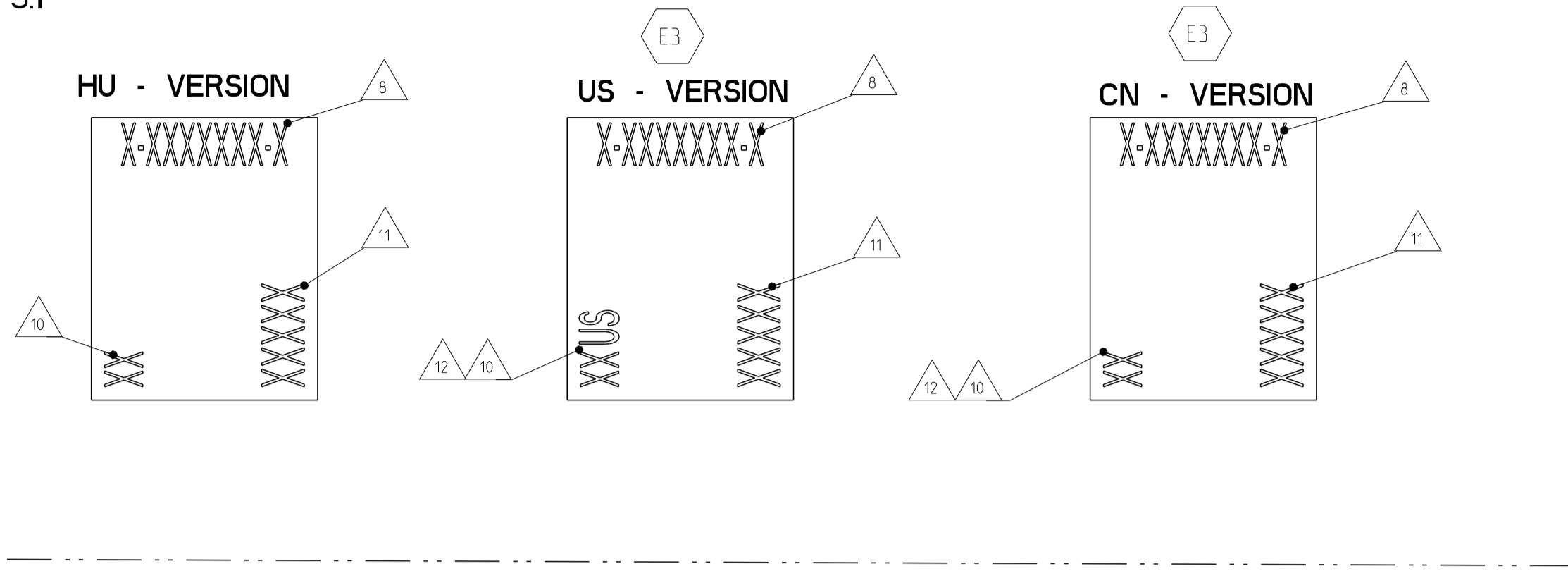
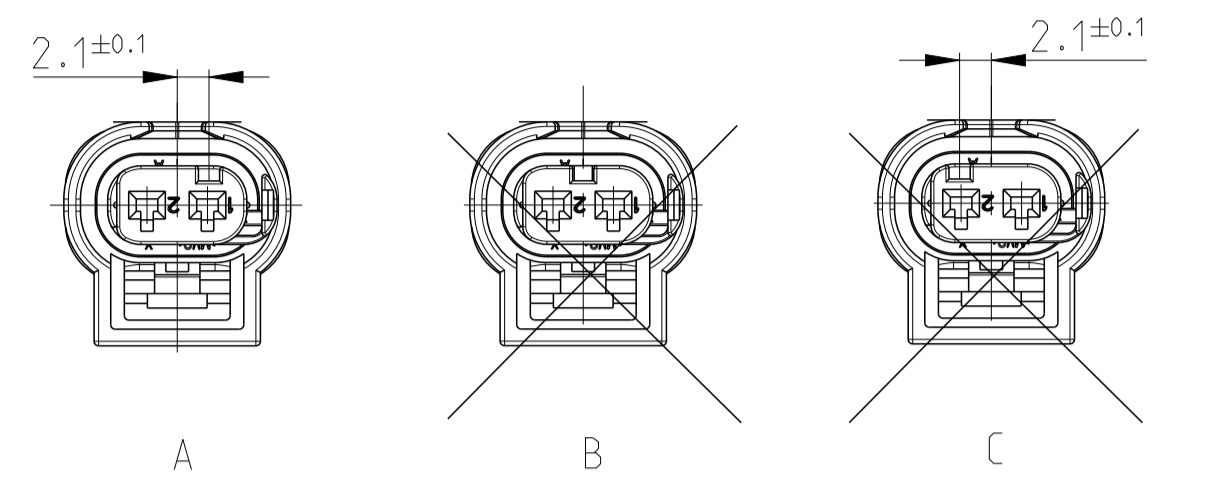


PRINT: 5:1



REVISIONS				
P.	LTN.	DESCRIPTION	DATE	APPV.
E		Inner Hsg. chamfer removed	03SEP2010	CLA ASC
E1		ECR-12017745	17OCT2012	SZN SZG
E3		LASER PRINT UPDATED	10DEC2019	SZN LSZ

CODINGS M 2:1



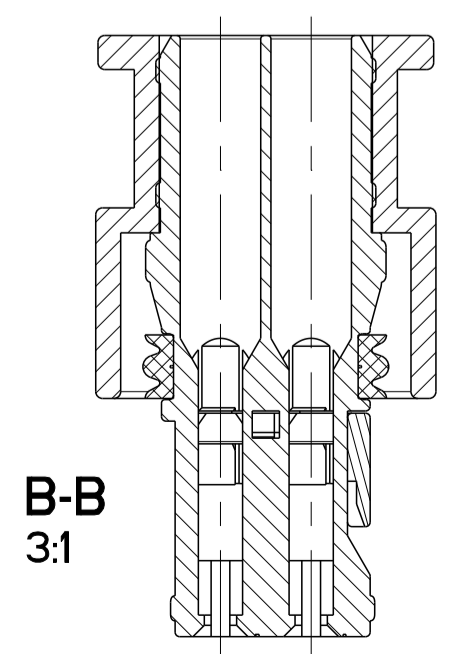
NOTES:

- 1 AREA FOR PRINT
- 2 USABLE CONTACTS MCON 1.2 SEE TE-NO. 1452674. SINGLE WIRE SYSTEM
- 3 MAX. WIRE SIZE RANGE 1.0 mm<sup>2</sup> FLR PERMITTED FOR CAVITY-Ø 3.55MM QUANTITY SEE WIRE HARNESS DRAWING FOR PERMISSIBLE CURRENT CARRYING CAPACITY OF THE SINGLE CONTACT SEE PRODUCT SPECIFICATION NO.108-18782
- 4 SUPPLIER-MARK
- 5 SPACE OF ACTIVITY
- 6 SUPPLY CONDITION: RETAINER IN PRELOCKED POSITION
- 7 WARPAGE PERMITTED TO MAX. -0.5mm
- 8 TE ORDER-NO.
- 9 ACCORDING TO INTERFACE DRAWING SEE TE-NO. 114-18679-3
- 10 ASSEMBLY LINE SEGMENT IDENTIFICATION
- 11 DATE CODE (DDYY)
- 12 DIVERGENT MARKING FOR PARTS FROM DIFFERENT LOCATIONS (BR, CN, U.S...)

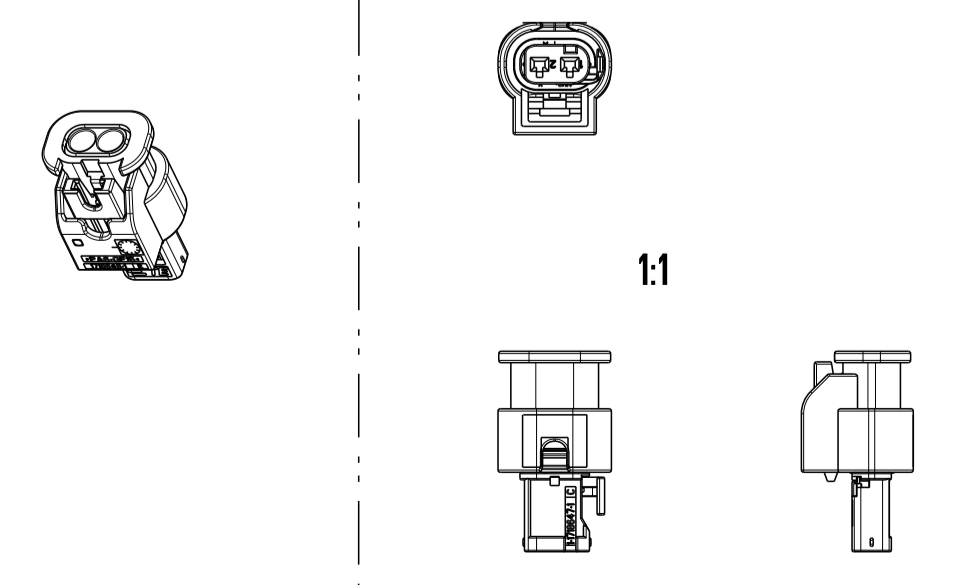
CODING A AS SHOWN

TE-ORDER-NO.	COD	DESCRIPTION	REV	QTY	DESCRIPTION	MATERIAL	SURFACE/COLOUR	ITEM
3-1670915-1	C	2pos. MCON 1.2 - LL Connector. Sealed	A	1	2pos. MCON 1.2 - Seal	MVQ-30	NATURE	4
				1	2pos. MCON 1.2 - Retainer	PA66-GF15	VIOLETT	3
				1	2pos. MCON 1.2 - Protec. Cover	PA6-GF15	BLACK	2
				1	2pos. MCON 1.2 - Recepticle Hsg.	PA66-GF30	BLUE	1
2-1670915-1	B	2pos. MCON 1.2 - LL Connector. Sealed	A	1	2pos. MCON 1.2 - Seal	MVQ-30	NATURE	4
				1	2pos. MCON 1.2 - Retainer	PA66-GF15	VIOLETT	3
				1	2pos. MCON 1.2 - Protec. Cover	PA6-GF15	BLACK	2
				1	2pos. MCON 1.2 - Recepticle Hsg.	PA66-GF30	NATURE	1
1-1670915-1	A	2pos. MCON 1.2 - LL Connector. Sealed	E	1	2pos. MCON 1.2 - Seal	MVQ-30	NATURE	4
				1	2pos. MCON 1.2 - Retainer	PA66-GF15	VIOLETT	3
				1	2pos. MCON 1.2 - Protec. Cover	PA6-GF15	BLACK	2
				1	2pos. MCON 1.2 - Recepticle Hsg.	PA66-GF30	BLACK	1

RETAINER IN END POSITION



3D VIEW 1:1



THIS DRAWING IS A CONTROLLED DOCUMENT.		OWN: R. Bachmann	19DEC2006	
DIMENSIONS: mm		CHK: A. Schönbel	26SEP2008	
TOLERANCES UNLESS OTHERWISE SPECIFIED:		APV: J. Woller	26SEP2008	NAME: 2pos. MCON 1.2 - LL Connector. Sealed
1-PLC ±0.15 2-PLC ±0.1 3-PLC ±0.05 4-PLC ±0.05 ANGLES 10°		PRODUCT SPEC: 108-18969 APPLICATION SPEC: 114-18861		SIZE: A1 CAGE CODE: 00779 DRAWING NO: C=1670915
MATERIAL: -		WEIGHT: 2.4 g		RESTRICTED TO: RESTRICTED CUSTOMER
FINISH: -		SCALE: 15:1		SHEET: 1 OF 1
REV: -		REV: E3		