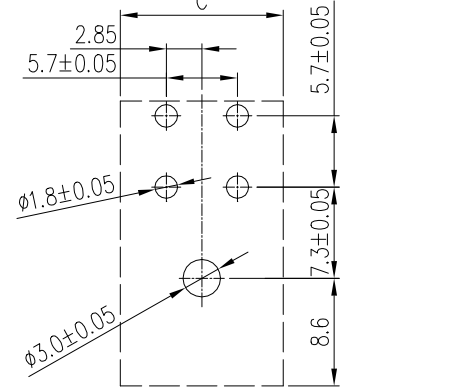
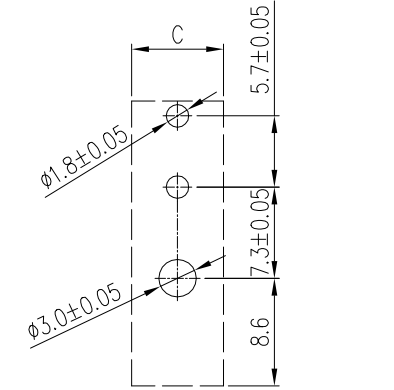
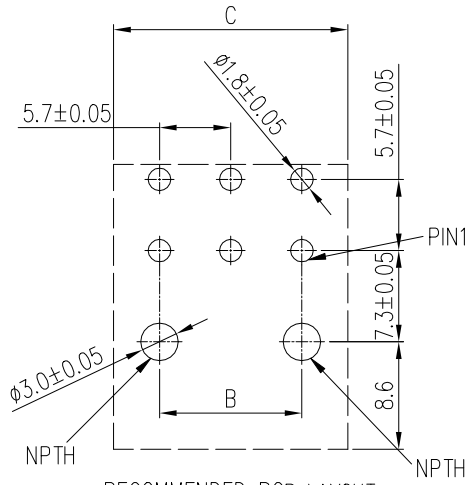


POS	DIM A	DIM B	DIM C
02	8.35	NA	9.35
04	12.05	5.7	13.05
06	17.75	11.4	18.75
08	23.45	17.1	24.45
10	29.15	22.8	30.15
12	34.85	28.5	35.45



- NOTES:
- HOUSING: LCP UL94V-0, HALOGEN FREE, GLOW WIRE COMPATIBLE, BLACK.
 - RoHS COMPLIANT.
 - MATE WITH HOUSING P/N: 10142707.
 - PRODUCT SPEC: GS-12-1405.
 - PACKAGE SPEC: GS-14-2595.
 - THE HSU CAN WITHSTAND EXPOSURE TO 260°C PEAK TEMP FOR 10 SECONDS IN A REFLOW OVEN.
 - PART NUMBER:

10146997-XX X 0 X LF

NO OF POS. PACKAGE
02~12 POS. 0: TRAY
1: TAPE&REEL

MATERIAL: LCP

PLATING:

0: 30u" GOLD PLATING ON CONTACT AREA AND 100u" TIN PLATING ON SOLDER TAIL

1: 15u" GOLD PLATING ON CONTACT AREA AND 100u" TIN PLATING ON SOLDER TAIL

2: 100u" TIN PLATING OVER ALL

mat'l. code		surface ISO 1302 ✓		tolerance ISO 406 ISO 1101		projection		product family	
ltr		ecn no		dr		date		WTB	
A		TONY		2018-04-11		2018-04-11		title	
B		ELX-N-30112		TONY		2018-05-07		MINITEK POWER 5.7 R/A HEADER	
				angles		linear		mm	
				0°±2'		.00±.10		scale 2:1	
		dr		TONY LENG		2018-04-11		dwg no	
		engr		TONY LENG		2018-04-11		sheet 1 of 2	
		chr		ZK HU		2018-04-11		size	
		appd		TIM YAO		2018-04-11		A3	
sheet index		revision sheet		B B		1 2		type Product Customer Drawing	

1

2 3

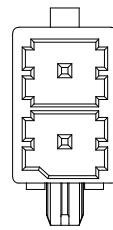
4

5

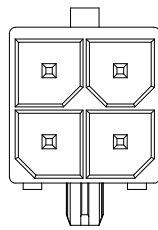
6

A

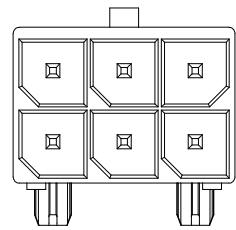
A



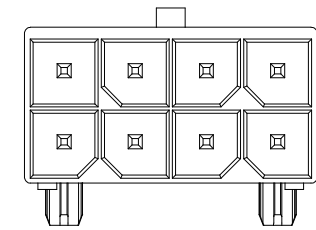
FOR 02P



FOR 04P



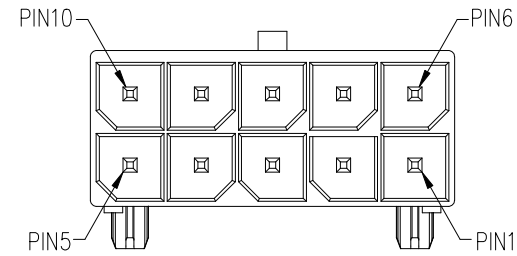
FOR 06P



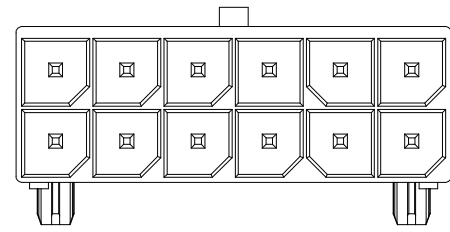
FOR 08P

B

B



FOR 10P



FOR 12P

C

C

© 2016 AFCI

D

D

mat'l. code		surface	tolerance	projection	product family
ISO 1302		ISO 406	ISO 1101	WTB	
ltr	ecn no	dr	date	tolerances unless otherwise specified	title
				linear	MINITEK POWER 5.7 R/A HEADER
				angles	mm
				0°±2'	scale 2:1
		dr	TONY LENG	2018-04-11	Amphenol FCI
		engr	TONY LENG	2018-04-11	dwg no
		chr	ZK HU	2018-04-11	sheet 2 of 2
		appd	TIM YAO	2018-04-11	size
					A3
sheet index	revision	B	B		type
1	2				Product Customer Drawing