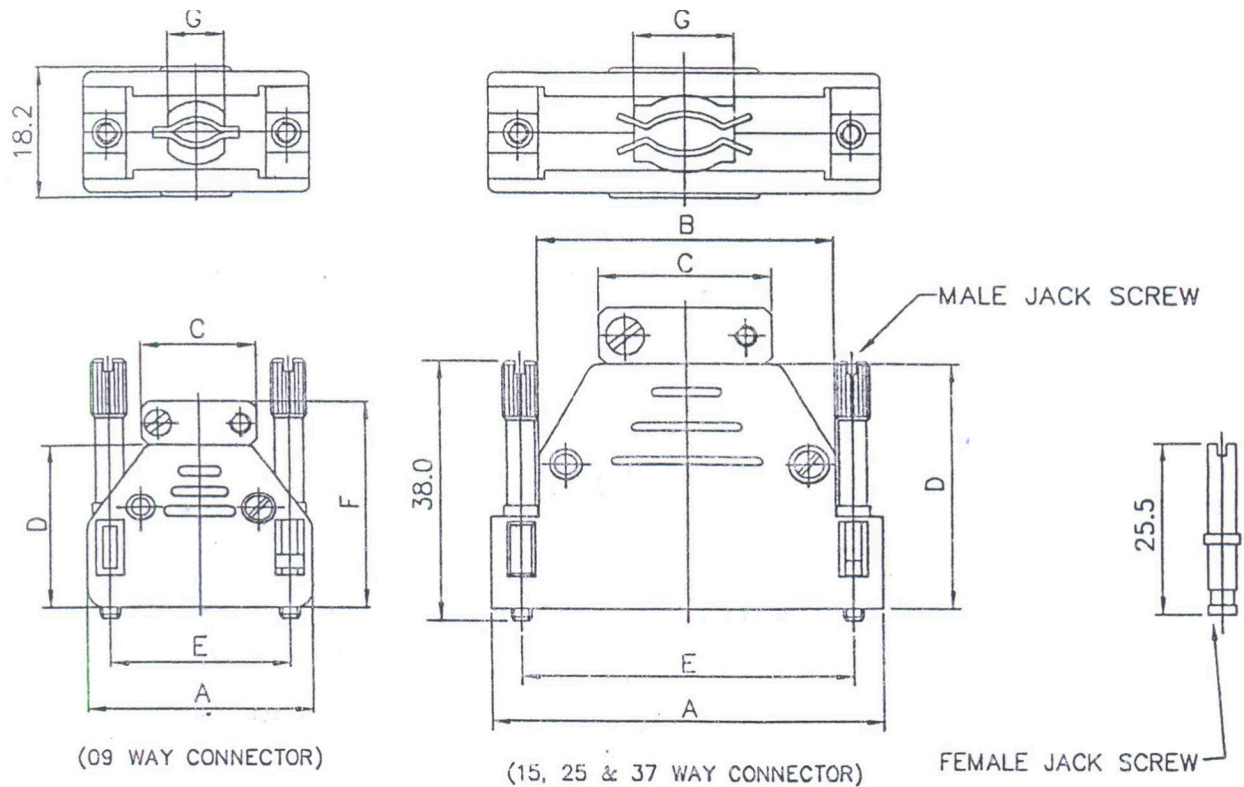


No.	Changes and/or Note No.	Date	Sign	No.	Changes and/or Note No.	Date	Sign



No. of Ways	*Male Jack Screw	Female Jack Screw	A	B	C	D	E ±0.1	F	G
09	D 09T	D 09TF	31.4	—	14.5	24.0	25.0	32.0	7.9
15	D 15T	D 15TF	42.0	28.5	14.3	30.0	33.3	38.0	10.0
25	D 25T	D 25TF	55.5	41.9	25.1	36.0	47.0	44.0	14.2
37	D 37T	D 37TF	69.8	57.5	39.2	38.0	63.5	46.0	18.0

* Add suffix '3' for male jack screw with M3 threads e.g. D 09T3.

Characteristics:

- * Male/Female Jack Screw having 4-40 UNC threads.
- * External cable clamp, top cable entry.

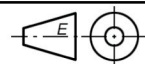
Material:

Hood: ABS.
Screws: Steel, Zinc plated.

DATE 20-04-2012	DRAWN PKN	SCALE	MATERIAL TYPE
	APPROVED		REPLACES



Black plastic cover with Female JS
ED-D0XTF-K



DRAWING No. 2801-0102