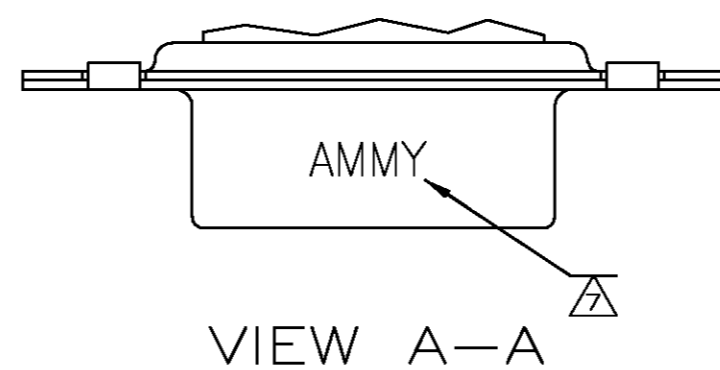
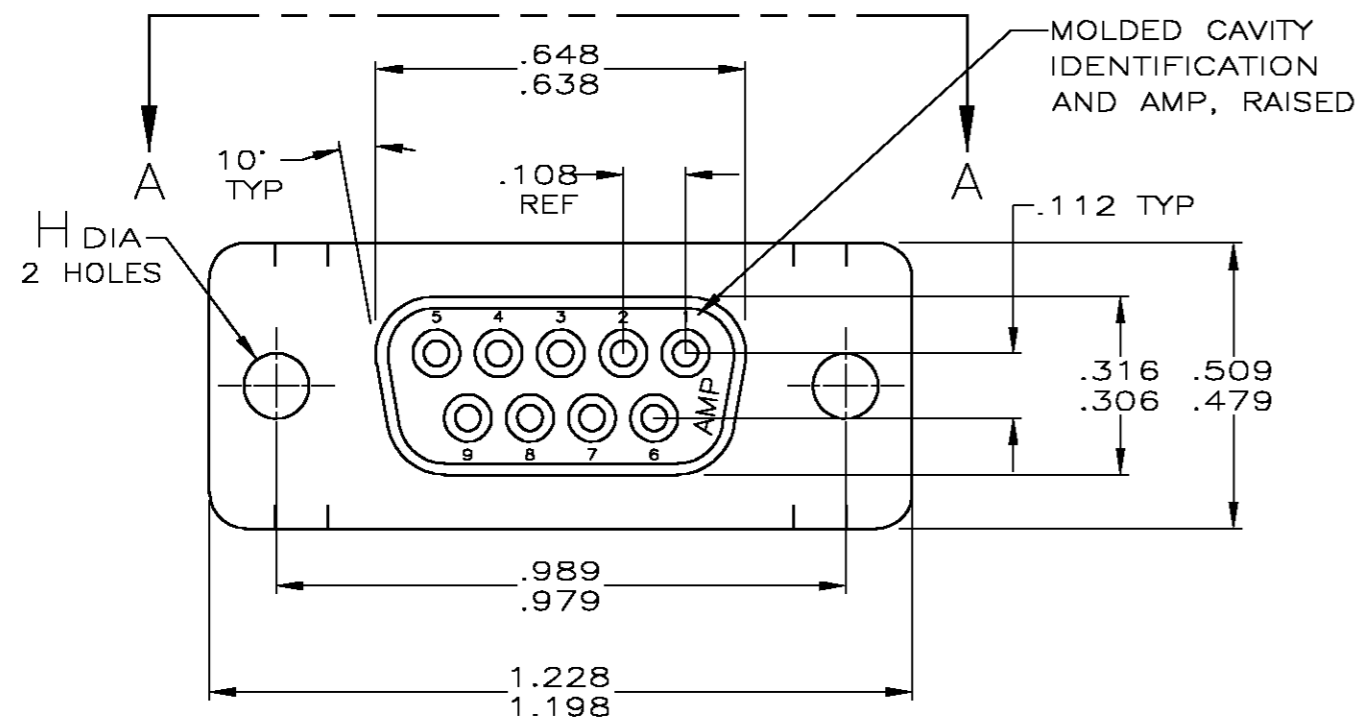
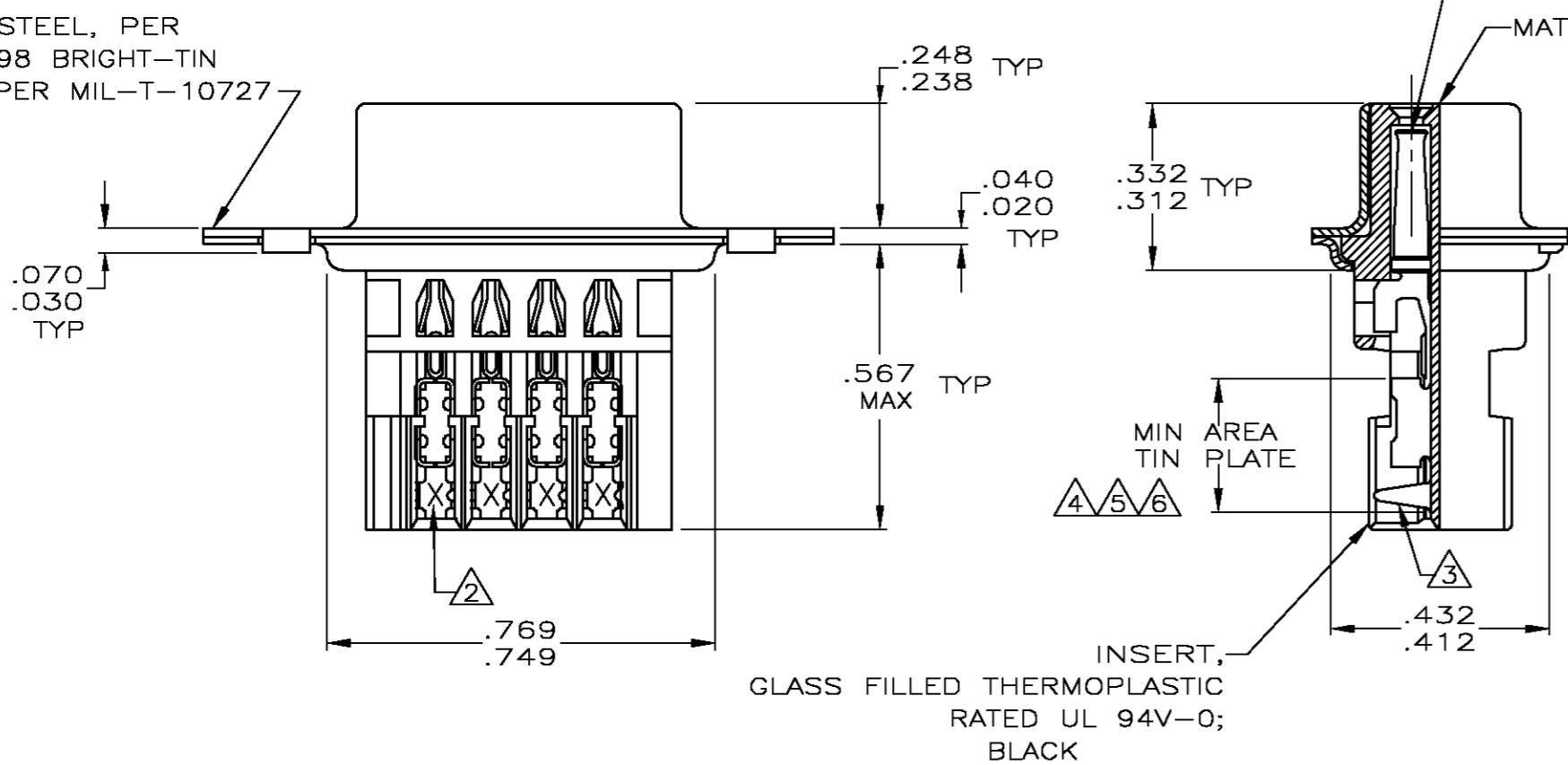


THIS DRAWING IS UNPUBLISHED. RELEASED FOR PUBLICATION
 © COPYRIGHT BY TYCO ELECTRONICS CORPORATION. ALL RIGHTS RESERVED.

LOC	DIST	REVISIONS					
GP	00	P	LTR	DESCRIPTION	DATE	DWN	APVD
		L		REVISED PER EC 0S13-0257-04	11-16-04	LV	JG



SHELL, STEEL, PER QQ-S-698 BRIGHT-TIN PLATED PER MIL-T-10727



- ① HOUSING FULLY LOADED WITH CONTACTS.
- ② NUMBER ON CONTACT INDICATES WIRE RANGE.
- ③ CONTACT INSULATION RANGE: .060 MAXIMUM O.D.
- ④ .000030 GOLD ON MATING END FOR .100 MIN LENGTH. .000100-.000200 BRIGHT TIN OR BRIGHT TIN-LEAD IN AREA SHOWN. .000050 NICKEL UNDERPLATE ON ENTIRE CONTACT.
- ⑤ .000001 MIN GOLD ON MATING END FOR .100 MIN LENGTH. .000100-.000200 BRIGHT TIN OR BRIGHT TIN-LEAD IN AREA SHOWN. .000030 NICKEL UNDERPLATE ON ENTIRE CONTACT.
- ⑥ .000050 MIN GOLD FOR A LENGTH OF .100 MIN FROM MATING END. .000100 MIN TIN OR TIN-LEAD IN TIN PLATE AREA. BOTH OVER .000050 MIN NICKEL.
- △ SPECIAL DATE CODE IN THIS APPROXIMATE AREA. A; MM = MONTH; Y = LAST DIGIT OF YEAR.
- ⑧ SUPERSEDED BY 745491-5
- ⑨ SUPERSEDED BY 745491-3
- ⑩ SUPERSEDED BY 745491-1
- ⑪ .000030 GOLD ON MATING END FOR .100 MIN LENGTH. .000100-.000200 MATTE TIN IN AREA SHOWN. .000050 NICKEL UNDERPLATE ON ENTIRE CONTACT.
- ⑫ .000001 MIN GOLD ON MATING END FOR .100 MIN LENGTH. .000100-.000200 MATTE TIN IN AREA SHOWN. .000030 NICKEL UNDERPLATE ON ENTIRE CONTACT.

STANDARD	.125 .115	①①	3	#20-22	1-745491-9
STANDARD	.125 .115	①②	2	#22-26	1-745491-8
STANDARD	.125 .115	①①	2	#22-26	1-745491-7
STANDARD	.125 .115	①①	1	#26-30	1-745491-6
SMALL PACK	.125 .115	⑤	2	#22-26	⑧ 1-745491-5
OBSOLETE	STANDARD .120 .146	⑥	2	#22-26	1-745491-3
			3	#20-22	1-745491-2
			2	#22-26	1-745491-1
STANDARD	.156 .146	④	1	#26-30	1-745491-0
			3	#20-22	745491-9
			2	#22-26	745491-8
STANDARD	.125 .115	⑤	1	#26-30	745491-7
			3	#20-22	⑨ 745491-6
			2	#22-26	745491-5
STANDARD	.125 .115	④	1	#26-30	⑩ 745491-4
			3	#20-22	745491-3
			2	#22-26	745491-2
PACKAGING	H	CONTACT FINISH	1	#26-30	745491-1
			2	#22-26	
			3	#20-22	
			②	AWG WIRE RANGE	PART NUMBER

THIS DRAWING IS A CONTROLLED DOCUMENT.

DIMENSIONS: INCHES	TOLERANCES UNLESS OTHERWISE SPECIFIED:	DWN L. VARELA - DOCK5 11-16-04	CHK J. GERACE 4-12-90	APVD M. WALMSLEY 11-16-04	NAME
	0 PLC ± -	Tyco Electronics Corporation Harrisburg, PA 17105-3608			
	1 PLC ± -	RECEPTACLE ASSEMBLY, METAL SHELL, SIZE 1, 9 POSITION, SERIES HDE-20 FOR MASS TERMINATION			
	2 PLC ± -	114-40002	SIZE A2	CAGE CODE 00779	DRAWING NO C=745491
	3 PLC ± .005		SCALE 4:1	SHEET 1 OF 1	REV L
	4 PLC ± -				
	ANGLES ± 2				
MATERIAL SEE CALL OUT	FINISH SEE TABLE	CUSTOMER DRAWING			