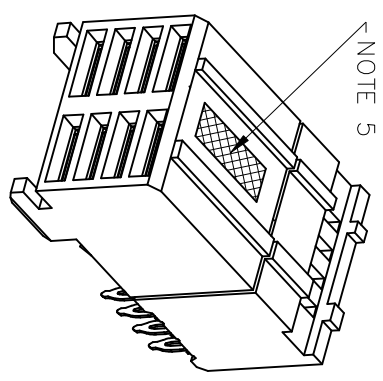
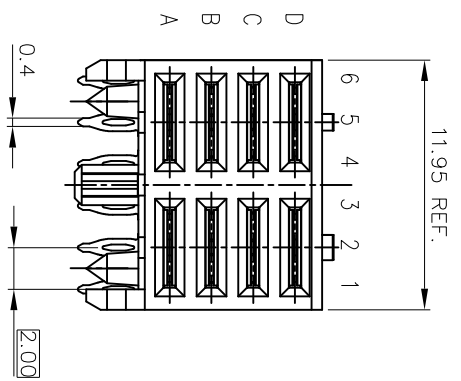
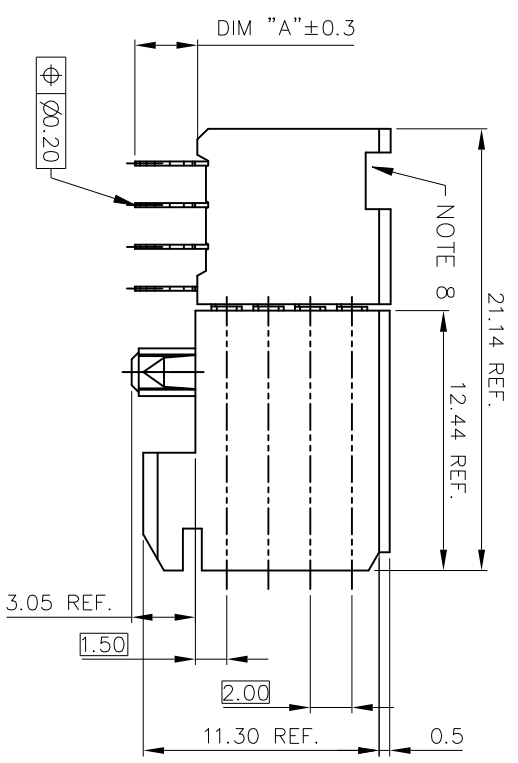




PRODUCT NO.	PIN NUMBER					DIM "A"	PCB THICKNESS	PRODUCT NO.	PIN NUMBER					DIM "A"	PCB THICKNESS	PRODUCT NO.	PIN NUMBER					DIM "A"	PCB THICKNESS								
	ROW #	6	5	4	3				2	1	ROW #	6	5				4	3	2	1	ROW #			6	5	4	3	2	1	ROW #	6
88949-X02 88949-X02LF	D	✓						88949-X22LF	D	✓					88949-X32LF	D	✓					D	✓								
	C	✓							C	✓							C	✓						C	NO						
	B	✓							B	✓							B	NO						B	NO						
	A	✓							A	✓							A	✓						A	✓						
88949-X12 88949-X12LF	D	✓						88949-X32LF	D	✓					D	✓						D	✓								
	C	✓							C	✓						C	✓						C	NO							
	B	✓							B	✓						B	NO						B	NO							
	A	✓							A	✓						A	✓						A	✓							

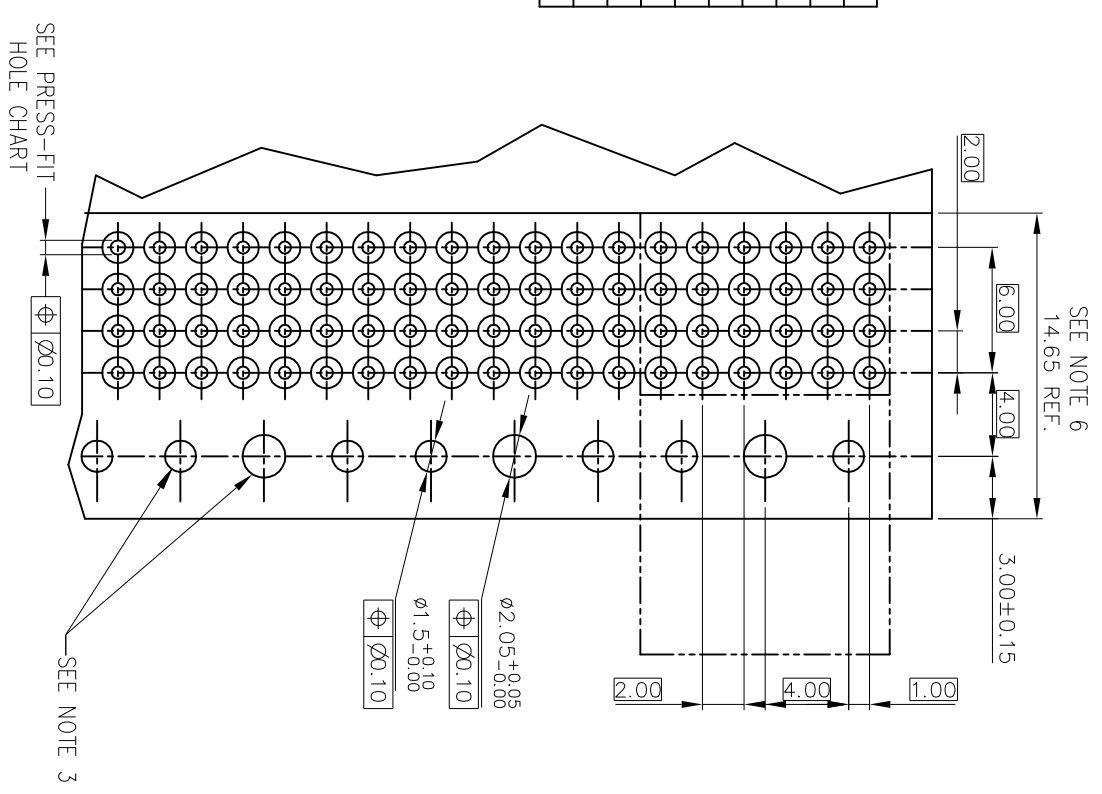


PLATING CONTACT AREA:

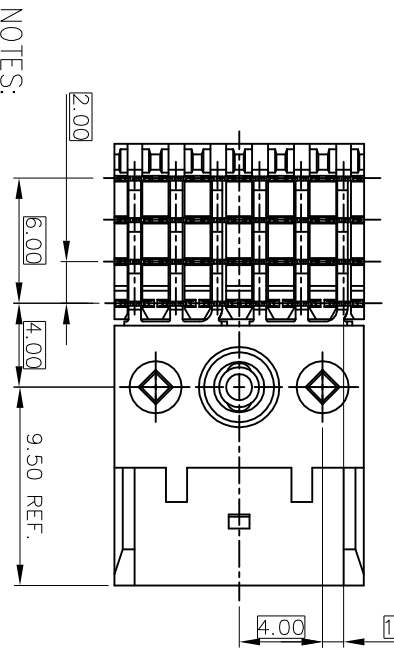
DASH NR:	PERFORMANCE LEVEL
-1YY	TELCORDIA CO
-2YY	CUSTOMER SPECIAL
-3YY	CUSTOMER SPECIAL
-9YY	TELCORDIA CO
-1YYLF	TELCORDIA CO
-2YYLF	CUSTOMER SPECIAL
-3YYLF	CUSTOMER SPECIAL
-9YYLF	TELCORDIA CO

PRESS-FIT HOLES CHART

HOLE DIAMETER AFTER PLATING	0.65-0.80
DRILLED HOLE	0.81-0.86
COPPER PLATING	0.025 MIN.
SnPb PLATING	0.005-0.015



RECOMMENDED HOLE PATTERN, COMPONENT SIDE.



- NOTES:
- BODY MATERIAL: LIQUID CRYSTAL POLYMER 30% GLASS, FLAME RETARDANT ACC. UL 94-V0.
 - TERMINAL MATERIAL: PHOSPHOR BRONZE.
 - INDICATED HOLES ARE UNPLATED.
 - PLATING OF COMPLIANT SECTION 0.5-1.5 um SnPb 85-97 OR 0.5-1.5 um PURE Sn FOR LEAD FREE.
 - PRODUCT MARKING : PARTNUMBER & BATCH ID.
 - SET BACK FOR PRESS BLOCK.
 - SEE TA-941 FOR APPLICATION TOOLING.
 - TOP SURFACE OF PRESS BLOCK MAY EXTEND UP TO 0.4MM HIGHER THAN HOUSING. THIS MAY AFFECT THE TAIL LENGTH BEFORE APPLICATION TO A BOARD.
 - THIS PRODUCT MEETS EUROPEAN UNION DIRECTIVES AND OTHER COUNTRY REGULATIONS AS DESCRIBED IN GS-22-008.
 - THE HOUSING WILL WITHSTAND EXPOSURE TO 260DEGREE PEAK TEMPERATURE FOR 10 SECONDS IN A WAVE SOLDER APPLICATION.
 - PRODUCT SPECIFICATION: GS-12-453.
 - APPLICATION SPECIFICATION: GS-20-001.
 - FOR THE PRODUCT WITH 30u" GOLD PLATING IN TERMINAL, THEY CAN BE REPLACED BY 30 GXT PLATING.

mat'l. code	surface	tolerance	projection	product family
ISO 1302	ISO 406/ISO 1101	specified	METRAL(tm) HPL559	
tolerances unless otherwise specified				
ltr	ecn no	dr	date	title
D	V61180	EPK	8/28/96	R/A PRESS-FIT POWER
E	V00849	JWS	5/31/00	RECEPTACLE ASSY.-12MM
F	DC04-0107	CLU	041228	
G	DC07-0458	Cenh	11/15/07	
H	DC08-0171	TER	8/26/08	
J	EXL-N-23443	NICK	3/4/16	
K	ELX-N-26608	MZ	3/28/17	
sheet	revision	k		
index	sheet	1		