

THIS DRAWING IS UNPUBLISHED.

RELEASED FOR PUBLICATION

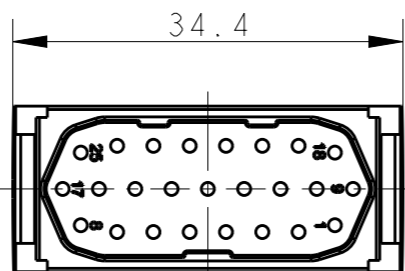
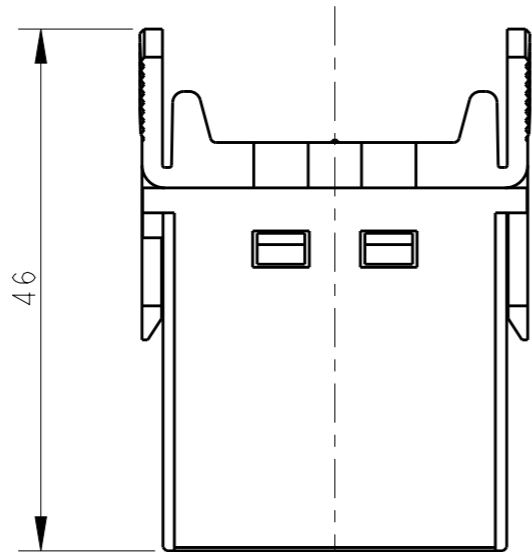
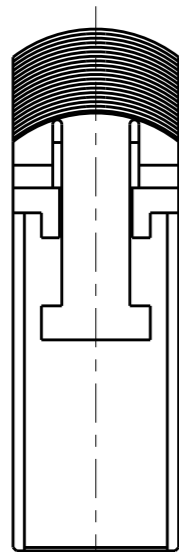
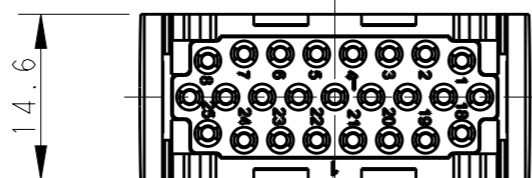
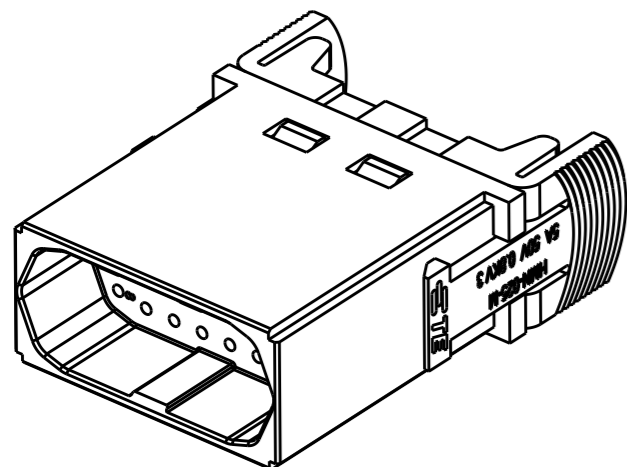
20

© COPYRIGHT 20 BY -

ALL RIGHTS RESERVED.

REVISIONS

P	LTR	DESCRIPTION	DATE	DWN	APVD
	B	INTIAL	19SEP2017	YC	CW



NOTES:

- TECHNICAL CHARACTERISTICS:
 INSULATION MATERIAL: PC
 RATED VOLTAGE: 50V
 RATED CURRENT: 5A
 INSULATION RESISTANCE: $\geq 400M\Omega$
 RATED IMPULSE VOLTAGE: 0.8KV
 POLLUTION DEGREE: 3
 FLAMMABILITY: UL94V-0
 MATING CYCLES: 500 CYCLES
 WIRE RANGE: 0.08~0.52 mm² (28~20 AWG)
 CONTACT TYPE: CRIMP CONTACT
- CONTACT NEED TO BE ORDERED SEPARATELY.
 (ORDER No. REFER TO DRAWING:T20700X10XX000)

注释:

- 技术参数:
 绝缘材料: PC
 额定电压: 50V
 额定电流: 5A
 绝缘电阻: $\geq 400M\Omega$
 额定脉冲电压: 0.8KV
 污染等级: 3
 阻燃等级: UL94V-0
 插拔次数: 500次
 接线范围: 0.08~0.52 mm² (28~20 AWG)
 接线类型: 冷压接
- 端子需要单独订购.
 (订货号参考图面: T20700X10XX000)

T2111252101-007	HMN-025-M	HMN-025 MALE MODULE INSERT HMN-025 模块公插
PART NUMBER 料号	PART DESCRIPTION 描述	

THIS DRAWING IS A CONTROLLED DOCUMENT.

DIMENSIONS: mm		TOLERANCES UNLESS OTHERWISE SPECIFIED:	
		0 PLC	±-
		1 PLC	±-
		2 PLC	±-
		3 PLC	±-
		4 PLC ANGLES	±-
MATERIAL	-	FINISH	-

DWN	19SEP2017
YORK CHEN	
CHK	19SEP2017
GINO YAO	
APVD	19SEP2017
CHRIS WANG	
PRODUCT SPEC	108-137122
APPLICATION SPEC	114-137122
WEIGHT	-
Customer Drawing	

		TE Connectivity	
		NAME HMN-025-M	
SIZE	CAGE CODE	DRAWING NO	RESTRICTED TO
A3	00779	©-T2111252101007	-
SCALE		SHEET	REV
3:2		1 OF 1	B