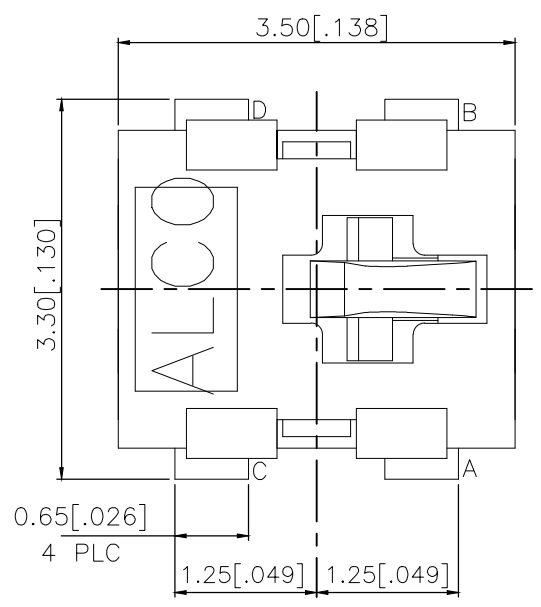
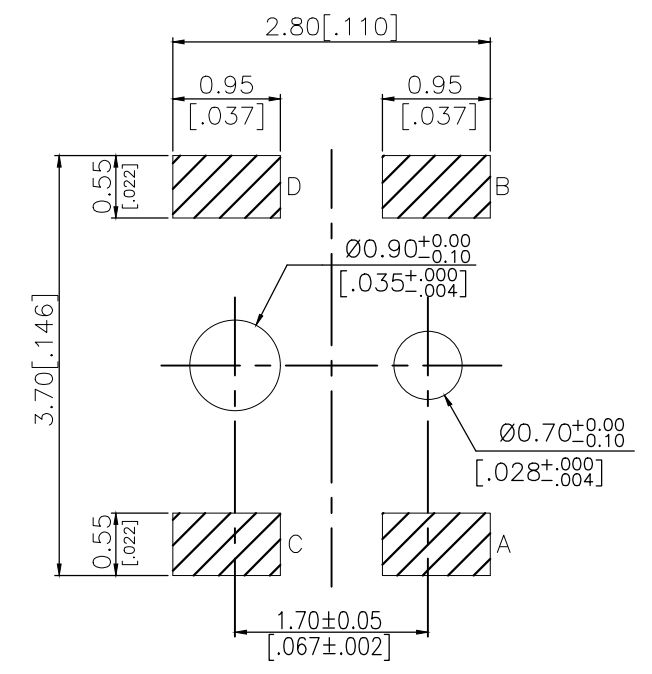
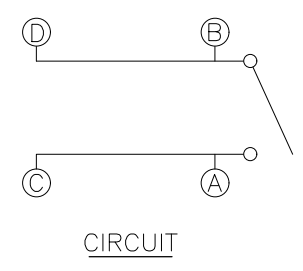


THIS DRAWING IS UNPUBLISHED. RELEASED FOR PUBLICATION
 © COPYRIGHT - TE Connectivity Ltd. ALL RIGHTS RESERVED.

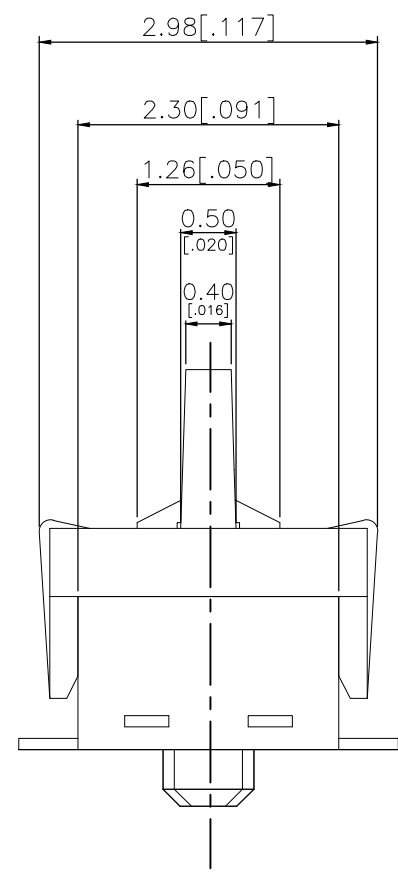
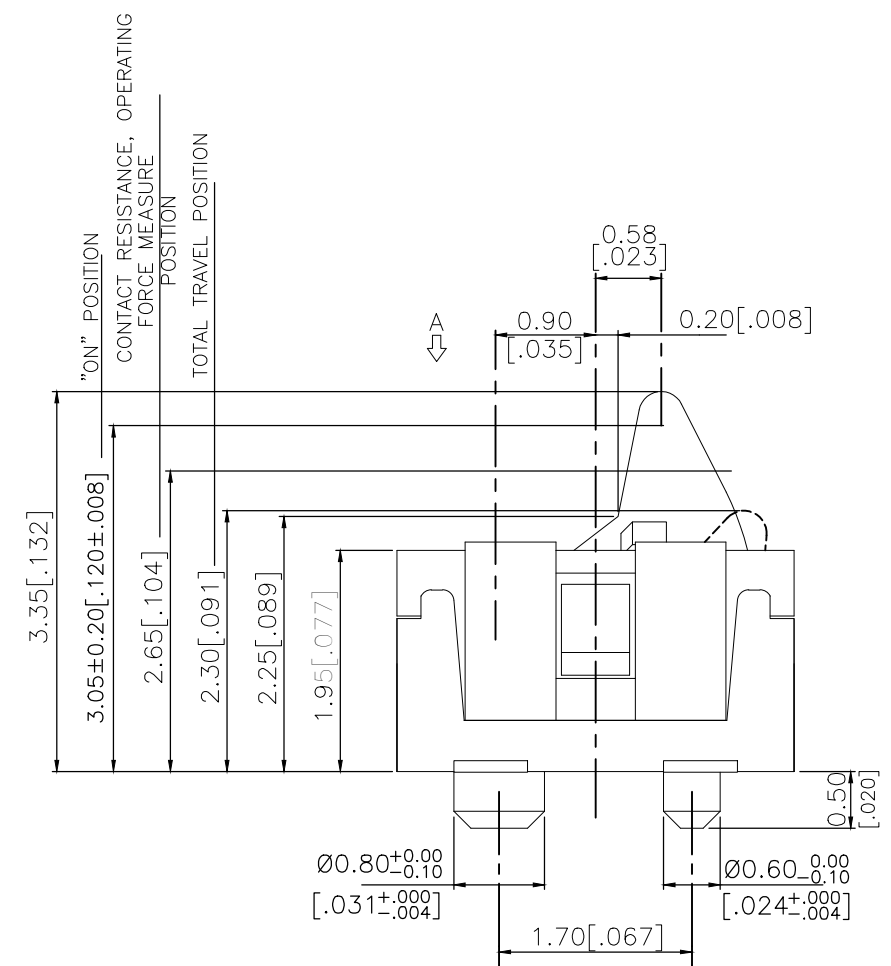
REVISIONS				
P	LTR	DESCRIPTION	DATE	APVD
1		NEW DRAWING	07MAR2018	GCM AS



2331378-1
 AS SHOWN



P.C.B. LAYOUT
 (VIEW FROM THE DIRECTION A)



PRELIMINARY

THIS DRAWING IS A CONTROLLED DOCUMENT.		DWN 07MAR2018 GANESH C M	 STE TE Connectivity Ltd. SWITCH, DETECTOR, JJB SERIES, 3.5X2.98mm, VERTICAL, SMT, POSTS					
DIMENSIONS: mm [INCHES]		CHK 07MAR2018 ALEXANDER SHARPE				NAME	SIZE	CAGE CODE
TOLERANCES UNLESS OTHERWISE SPECIFIED:		APVD 07MAR2018 ALEXANDER SHARPE				DRAWING NO	RESTRICTED TO	
0 PLC ± - 1 PLC ± - 2 PLC ± 0.30 [.012] 3 PLC ± - 4 PLC ± - ANGLES ± - MATERIAL FINISH		PRODUCT SPEC				SCALE	SHEET	REV
MATERIAL		APPLICATION SPEC	WEIGHT	A3 00779 C-2331378				
CUSTOMER DRAWING			SCALE	SHEET	REV			
			NTS	1 OF 3	1			

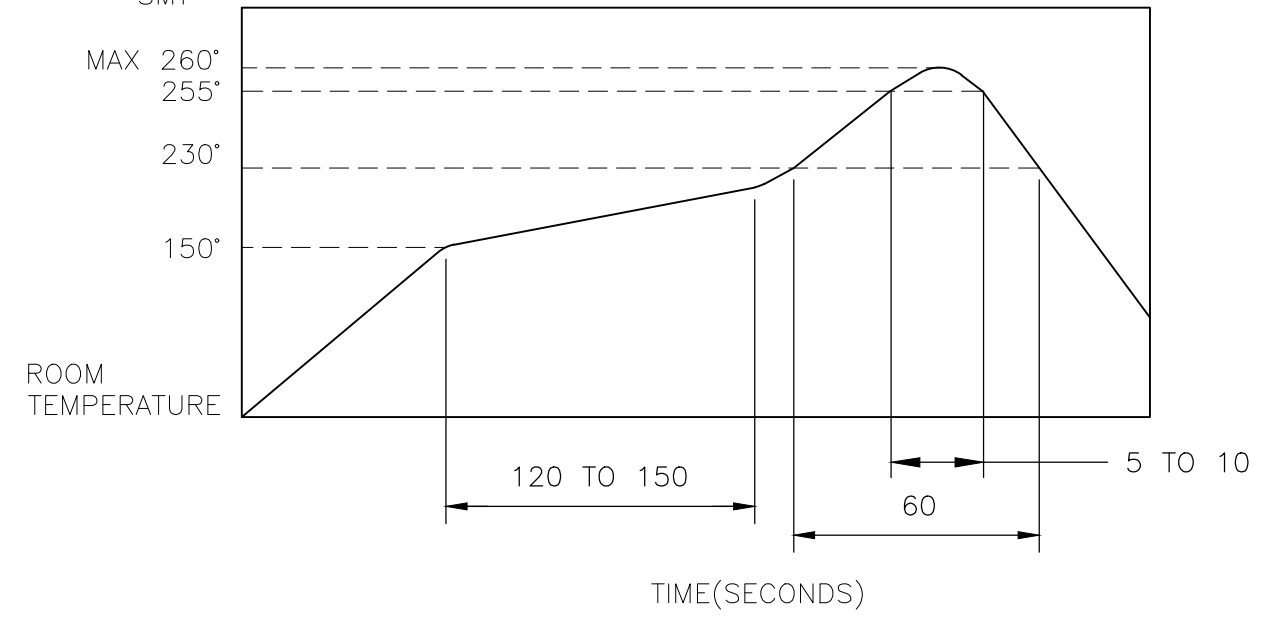
THIS DRAWING IS UNPUBLISHED. RELEASED FOR PUBLICATION
 © COPYRIGHT - TE Connectivity Ltd. ALL RIGHTS RESERVED.

REVISIONS					
P	LTR	DESCRIPTION	DATE	DWN	APVD
-	-	SEE SHEET 1	-	-	-

NOTES:

- MATERIALS**
 ACTUATOR: THERMOPLASTIC, BLACK
 BODY: THERMOPLASTIC, BLACK
 COVER: THERMOPLASTIC, BLACK
 TERMINAL: COPPER ALLOY, SILVER PLATE
 CONTACT: STAINLESS STEEL, SILVER PLATE
- COMPLIANCE:**
 ALL MATERIALS AND FINISHES SHALL COMPLY WITH EU DIRECTIVE 2002/95/EC OF 27JAN2003(RoHS)
- SPECIFICATIONS:**
 RATING: 1mA 20mV DC TO 100mA 5V DC
 CONTACT RESISTANCE: 500mΩ MAXIMUM(INITIAL)
 INSULATION RESISTANCE: 100MΩ MINIMUM AT 250V DC
 DIELECTRIC STRENGTH: 250V AC, 1 MINUTE
 OPERATING LIFE: 80,000 CYCLES WITH LOAD
 TOTAL TRAVEL: 1.05 [.041]
 ACTUATION FORCE: 35gf MAXIMUM
 OPERATING TEMPERATURE: -15°C TO 70° C
 STORAGE TEMPERATURE: -40°C TO 85°C

4. SOLDER CONDITIONS :
SMT



THE CONDITION MENTIONED ABOVE IS THE TEMPERATURE ON THE CU FOIL OF THE PCB SURFACE. THERE ARE CASES WHERE THE BOARD'S TEMPERATURE GREATLY DIFFERS FROM THE SWITCH'S SURFACE. DO NOT ALLOW SWITCH'S SURFACE TEMPERATURE TO EXCEED 260 °C

MANUAL SOLDERING

SOLDERING TEMPERATURE	350°C±5°C.
CONTINUOUS SOLDERING TIME	3±0.5 SECONDS.

PRECAUTIONS IN HANDLING

- CARE SHOULD BE EXERCISED SO THAT FLUX FROM THE UPPER PART OF THE PRINTED CIRCUIT BOARD DOES NOT ADHERE TO THE SWITCH.

JJBVOUG335NOPPRTR	2331378-1
SMART PART NUMBER	PART NUMBER

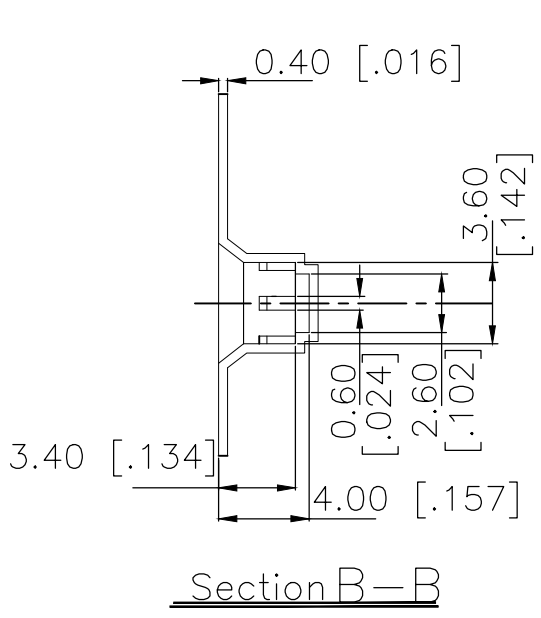
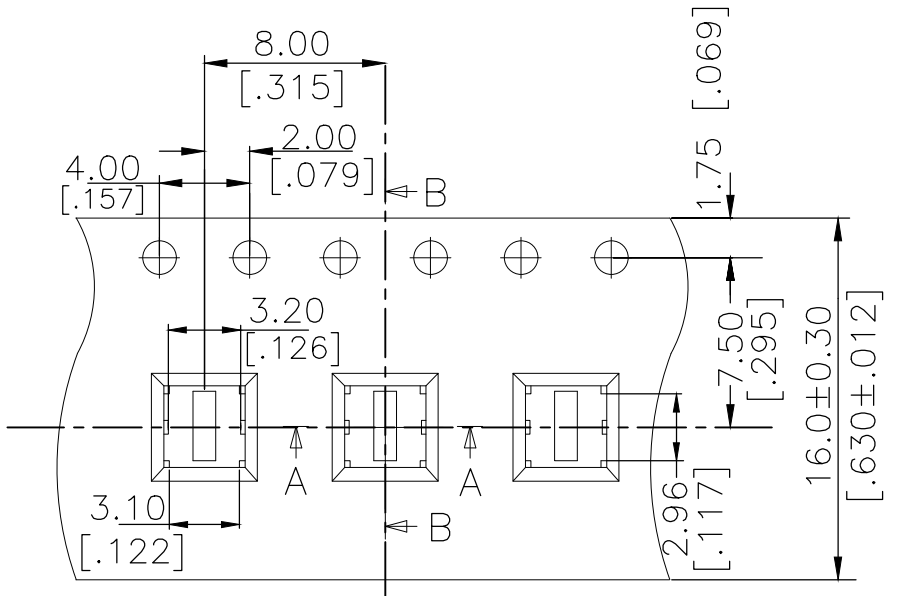
PRELIMINARY

THIS DRAWING IS A CONTROLLED DOCUMENT.		DWN	07MAR2018	TE Connectivity Ltd. SWITCH, DETECTOR, JJB SERIES, 3.5X2.98mm, VERTICAL, SMT, POSTS			
DIMENSIONS: mm [INCHES]		CHK	07MAR2018				
TOLERANCES UNLESS OTHERWISE SPECIFIED:		APVD	07MAR2018				
0 PLC ± - 1 PLC ± - 2 PLC ± 0.30 [.012] 3 PLC ± - 4 PLC ± - ANGLES ± -		PRODUCT SPEC	-				
MATERIAL		FINISH		APPLICATION SPEC	-		
-		-		WEIGHT	-		
CUSTOMER DRAWING				SIZE	A3	CAGE CODE	00779
				DRAWING NO	G-2331378		RESTRICTED TO
				SCALE	NTS		SHEET
						2 of 3	REV
							1

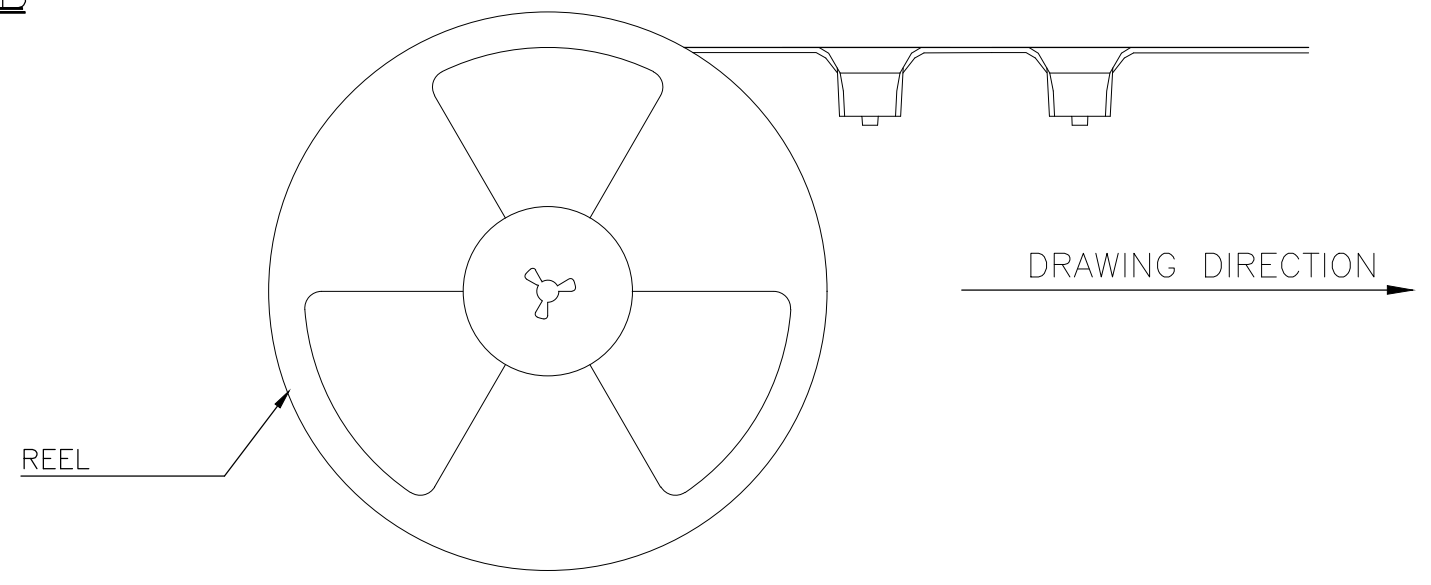
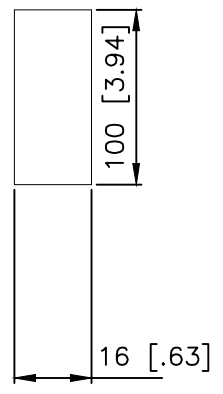
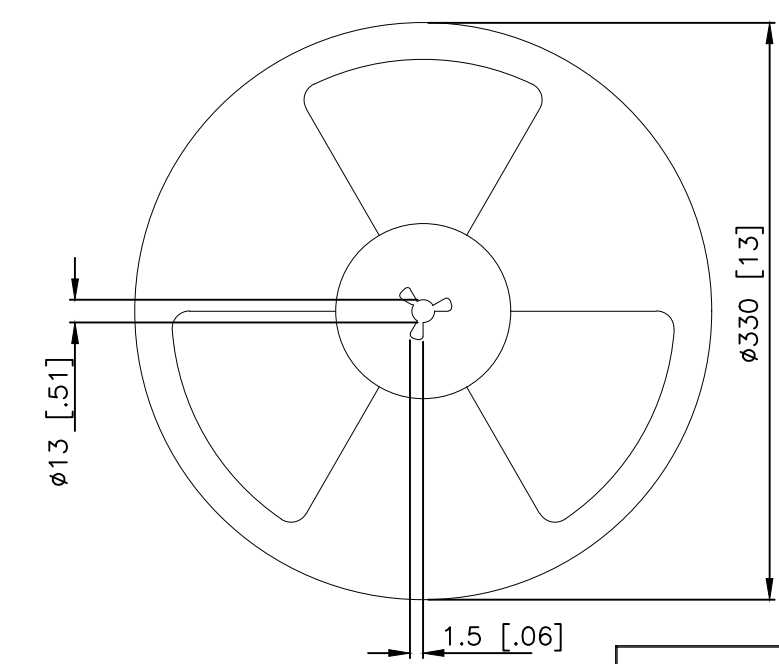
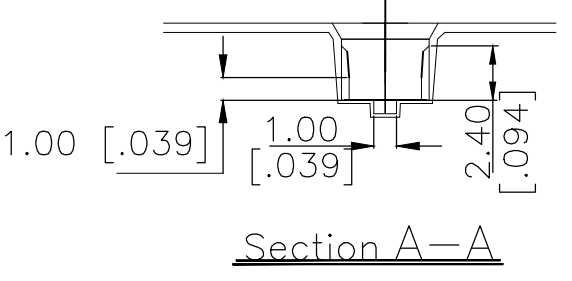
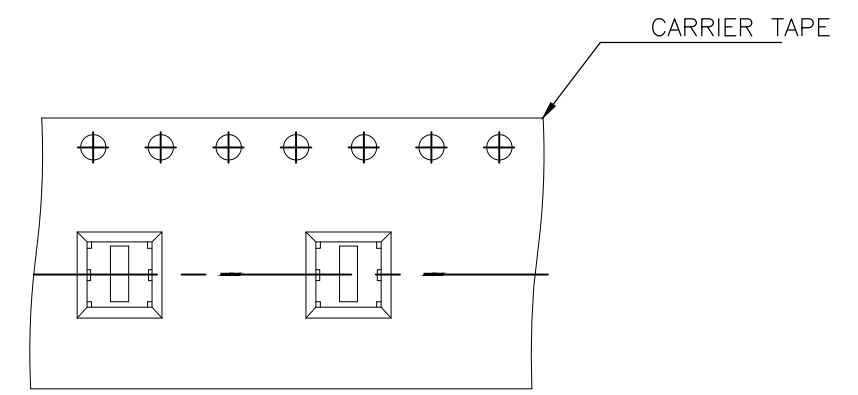
THIS DRAWING IS UNPUBLISHED. RELEASED FOR PUBLICATION
 © COPYRIGHT - TE Connectivity Ltd. ALL RIGHTS RESERVED.

REVISIONS					
P	LTR	DESCRIPTION	DATE	DWN	APVD
-	-	SEE SHEET 1	-	-	-

PACKAGING:
 2000 SWITCHES PER REEL
 THE DIMENSION OF CARRIER TAPE, COVER TAPE AND REEL



THE DIRECTION OF PILOT HOLES



PRELIMINARY

THIS DRAWING IS A CONTROLLED DOCUMENT.		DWN GANESH C M 07MAR2018	TE Connectivity Ltd.				
DIMENSIONS: mm [INCHES]		CHK ALEXANDER SHARPE 07MAR2018					
TOLERANCES UNLESS OTHERWISE SPECIFIED:		APVD ALEXANDER SHARPE 07MAR2018	NAME SWITCH, DETECTOR, JJB SERIES, 3.5X2.98mm, VERTICAL, SMT, POSTS				
0 PLC ± - 1 PLC ± - 2 PLC ± 0.30 [.012] 3 PLC ± - 4 PLC ± - ANGLES ± -		PRODUCT SPEC -	APPLICATION SPEC -				
MATERIAL -		FINISH -	WEIGHT	SIZE A3	CAGE CODE 00779	DRAWING NO C-2331378	RESTRICTED TO -
CUSTOMER DRAWING			SCALE NTS	SHEET 3 of 3	REV 1		