

THIS DRAWING IS UNPUBLISHED.

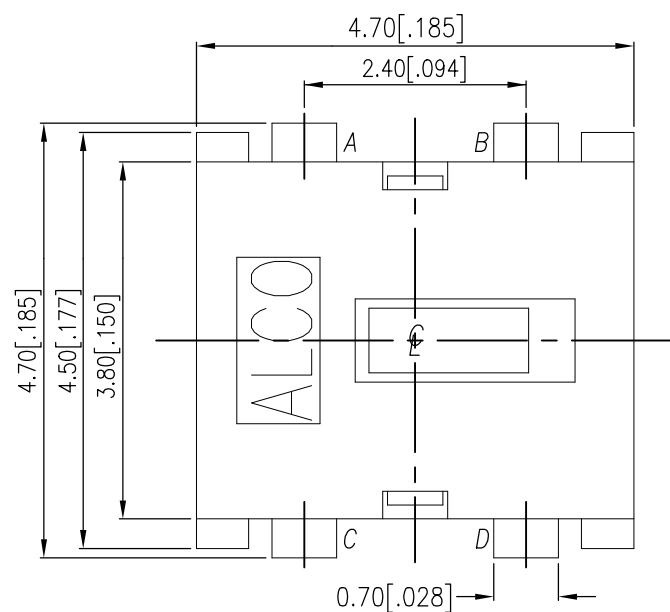
RELEASED FOR PUBLICATION

© COPYRIGHT - TE Connectivity Ltd.

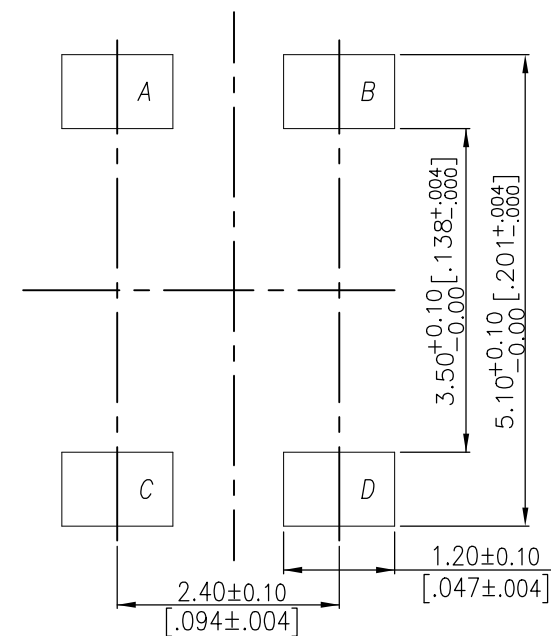
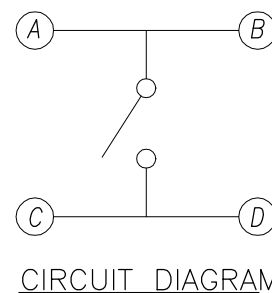
ALL RIGHTS RESERVED.

REVISIONS

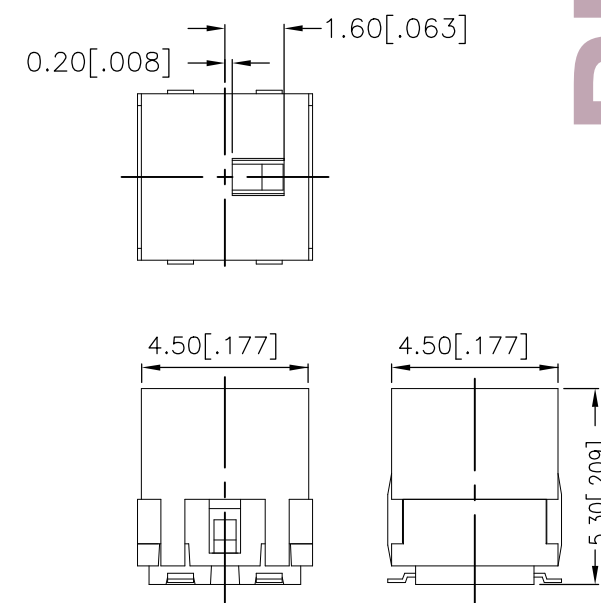
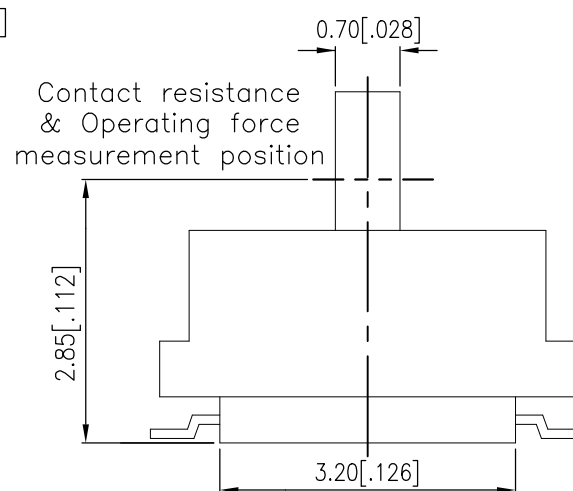
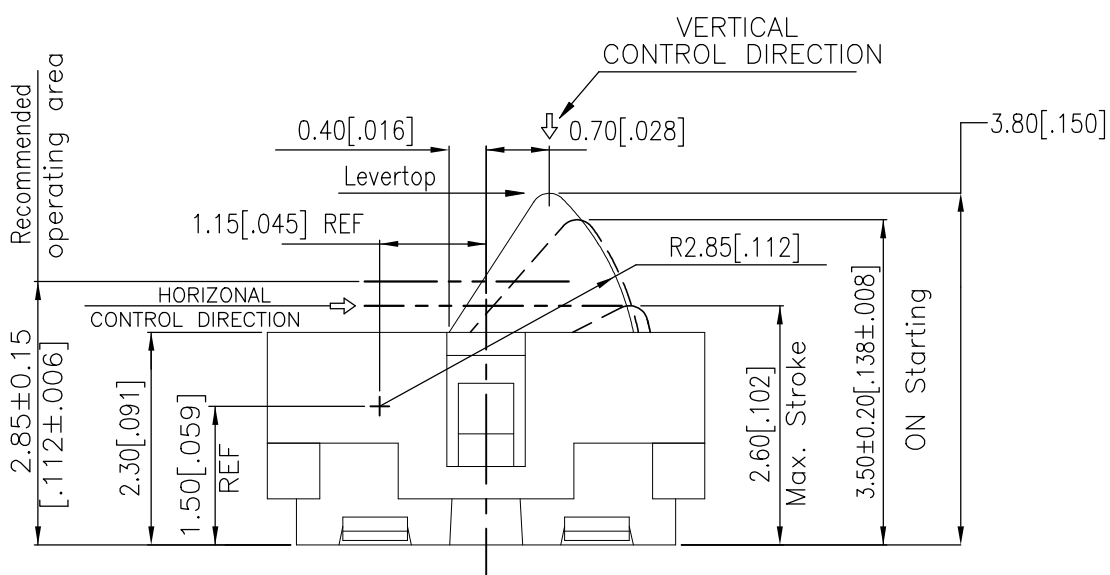
P	LTR	DESCRIPTION	DATE	DWN	APVD
1		NEW DRAWING	07MAR2018	GCM	AS



2331370-1  
AS SHOWN



P.C.B. LAYOUT



WITH DUST COVER

PRELIMINARY

PRELIMINARY

THIS DRAWING IS A CONTROLLED DOCUMENT.

DIMENSIONS:	TOLERANCES UNLESS OTHERWISE SPECIFIED:
mm [INCHES]	
	0 PLC ± -
	1 PLC ± -
	2 PLC ± 0.20 [.008]
	3 PLC ± -
	4 PLC ± -
	ANGLES ± -

MATERIAL FINISH

DWN	07MAR2018
CHK	GANESH C M
APVD	07MAR2018
PRODUCT SPEC	ALEXANDER SHARPE
APPLICATION SPEC	ALEXANDER SHARPE
WEIGHT	-

TE Connectivity Ltd.			
NAME SWITCH, DETECTOR, JJF SERIES, 4.7X3.8mm, VERTICAL, SMT, WITH DUST COVER			
SIZE	CAGE CODE	DRAWING NO	RESTRICTED TO
A3	00779	2331370	-

CUSTOMER DRAWING SCALE NTS SHEET 1 OF 3 REV 1

THIS DRAWING IS UNPUBLISHED.

RELEASED FOR PUBLICATION

REVISIONS

© COPYRIGHT - TE Connectivity Ltd.

ALL RIGHTS RESERVED.

P	LTR	DESCRIPTION	DATE	DWN	APVD
-	-	SEE SHEET 1	-	-	-

NOTES:

1. MATERIALS

ACTUATOR: THERMOPLASTIC, BLACK  
 BODY: THERMOPLASTIC, UL94V-0, BLACK  
 COVER: THERMOPLASTIC, BLACK  
 TERMINAL: COPPER ALLOY, SILVER PLATE  
 CONTACT: STAINLESS STEEL, SILVER CLAD  
 DUST COVER: THERMOPLASTIC, BLACK

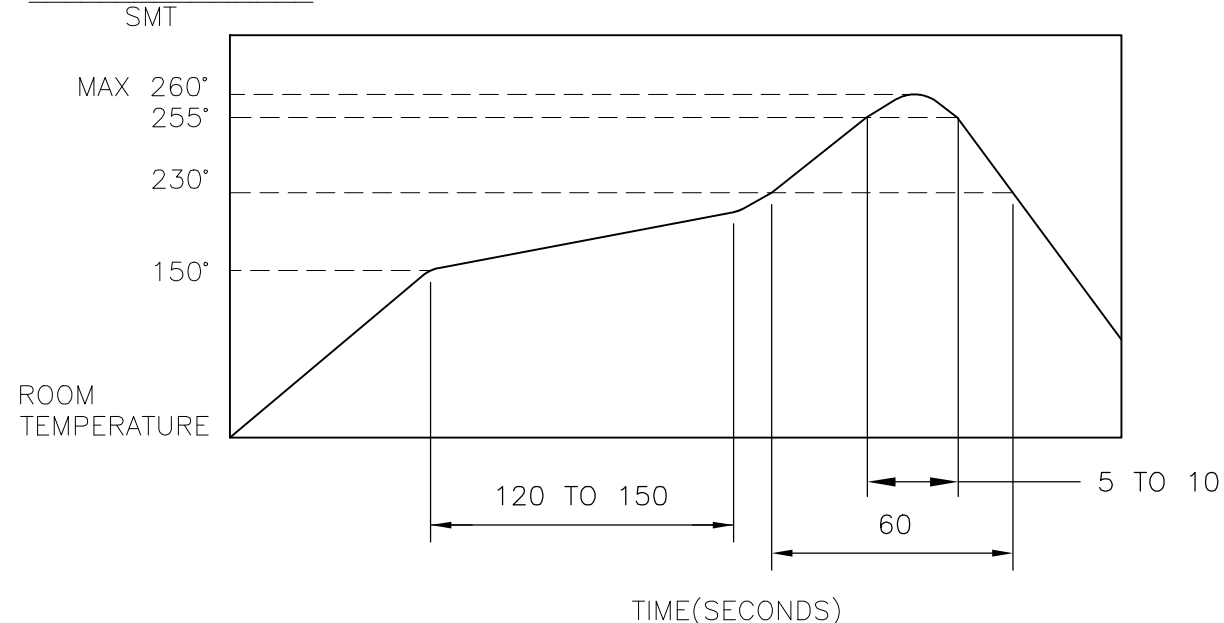
2. COMPLIANCE:

ALL MATERIALS AND FINISHES SHALL COMPLY WITH EU  
 DIRECTIVE 2002/95/EC OF 27JAN2003(RoHS)

3. SPECIFICATIONS:

RATING: 1mA 5V DC  
 CONTACT RESISTANCE: 1Ω MAXIMUM(INITIAL)  
 INSULATION RESISTANCE: 100MΩ MINIMUM AT 100 V DC  
 DIELECTRIC STRENGTH: 100 V AC, 1 MINUTE  
 OPERATING LIFE: 100,000 CYCLES WITH LOAD  
 TOTAL TRAVEL: 1.2 [.047]  
 ACTUATION FORCE: 40gf MAXIMUM  
 OPERATING TEMPERATURE: -10°C TO 60° C  
 STORAGE TEMPERATURE: -20°C TO 70° C

4. SOLDER CONDITIONS:



THE CONDITION MENTIONED ABOVE IS THE TEMPERATURE ON THE CU FOIL OF THE PCB SURFACE. THERE ARE CASES WHERE THE BOARD'S TEMPERATURE GREATLY DIFFERS FROM THE SWITCH'S SURFACE. DO NOT ALLOW SWITCH'S SURFACE TEMPERATURE TO EXCEED 260°C

MANUAL SOLDERING

SOLDERING TEMPERATURE	MAX. 350°C.
CONTINUOUS SOLDERING TIME	MAX. 5 SECONDS.

PRECAUTIONS IN HANDLING

1. CARE SHOULD BE EXERCISED SO THAT FLUX FROM THE UPPER PART OF THE PRINTED CIRCUIT BOARD DOES NOT ADHERE TO THE SWITCH.

JJFV0UG380NONMRTR	2331370-1
SMART PART NUMBER	PART NUMBER

THIS DRAWING IS A CONTROLLED DOCUMENT.		DWN 07MAR2018 GANESH C M	TE Connectivity Ltd.													
DIMENSIONS: mm [INCHES]		CHK 07MAR2018 ALEXANDER SHARPE														
TOLERANCES UNLESS OTHERWISE SPECIFIED:		APVD 07MAR2018 ALEXANDER SHARPE	NAME SWITCH, DETECTOR, JJF SERIES, 4.7X3.8mm, VERTICAL, SMT, WITH DUST COVER													
<table border="1"> <tr><td>0 PLC</td><td>± -</td></tr> <tr><td>1 PLC</td><td>± -</td></tr> <tr><td>2 PLC</td><td>± 0.20 [.008]</td></tr> <tr><td>3 PLC</td><td>± -</td></tr> <tr><td>4 PLC</td><td>± -</td></tr> <tr><td>ANGLES</td><td>± -</td></tr> </table>		0 PLC	± -	1 PLC	± -	2 PLC	± 0.20 [.008]	3 PLC	± -	4 PLC	± -	ANGLES	± -	PRODUCT SPEC	RESTRICTED TO	
0 PLC	± -															
1 PLC	± -															
2 PLC	± 0.20 [.008]															
3 PLC	± -															
4 PLC	± -															
ANGLES	± -															
MATERIAL		APPLICATION SPEC	SIZE A3	CAGE CODE 00779												
FINISH		WEIGHT	DRAWING NO. 2331370													
		CUSTOMER DRAWING	SCALE NTS	SHEET 2 OF 3												
				REV 1												

PRELIMINARY

4

3

2

1

THIS DRAWING IS UNPUBLISHED.

RELEASED FOR PUBLICATION

REVISIONS

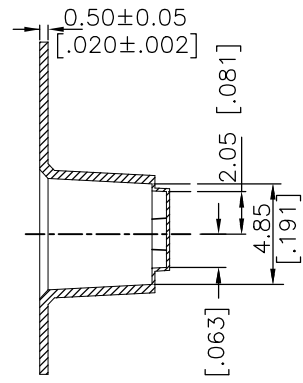
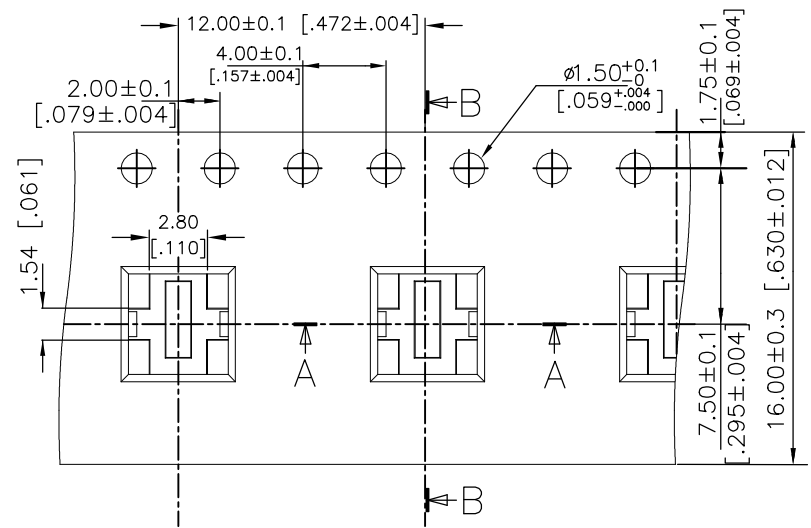
© COPYRIGHT - TE Connectivity Ltd.

ALL RIGHTS RESERVED.

P	LTR	DESCRIPTION	DATE	DWN	APVD
-	-	SEE SHEET 1	-	-	-

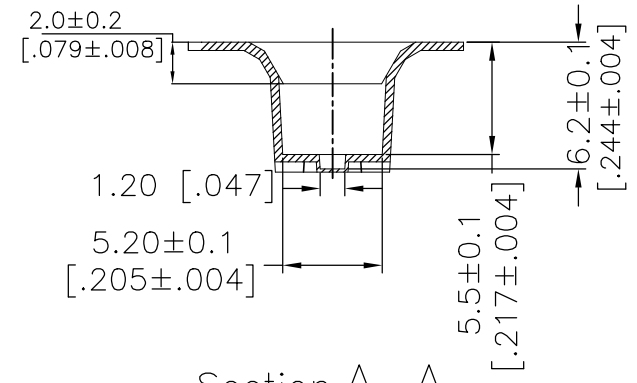
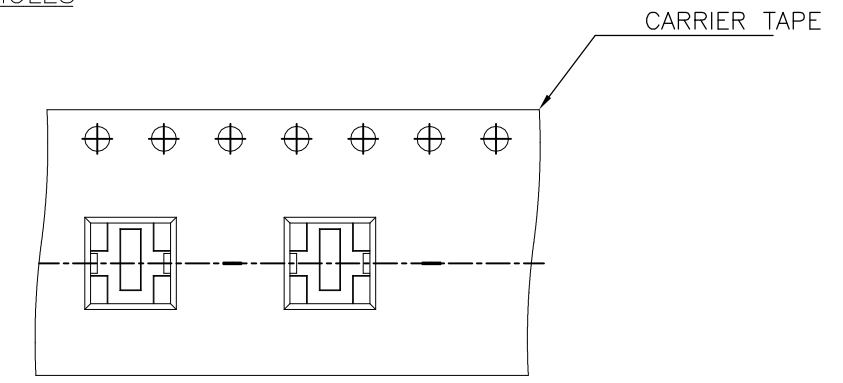
PACKAGING:  
900 SWITCHES PER REEL

THE DIMENSION OF CARRIER TAPE, COVER TAPE AND REEL

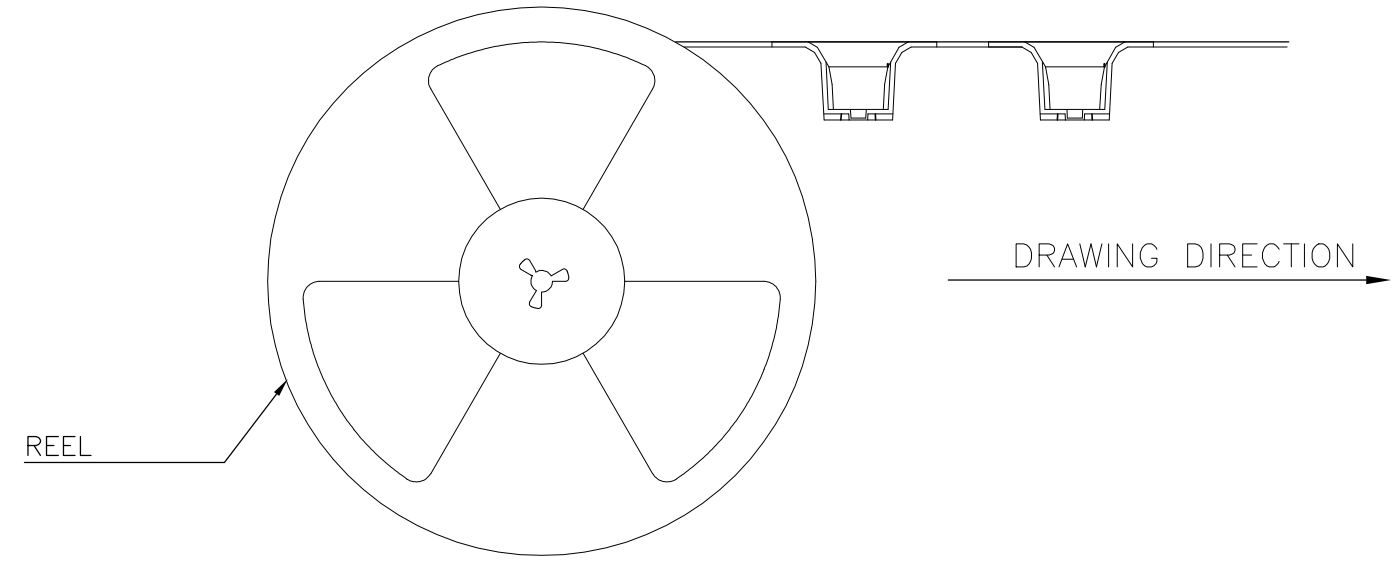
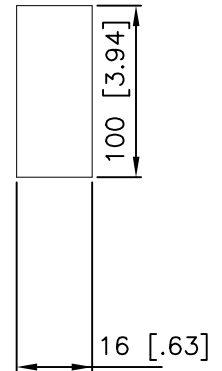
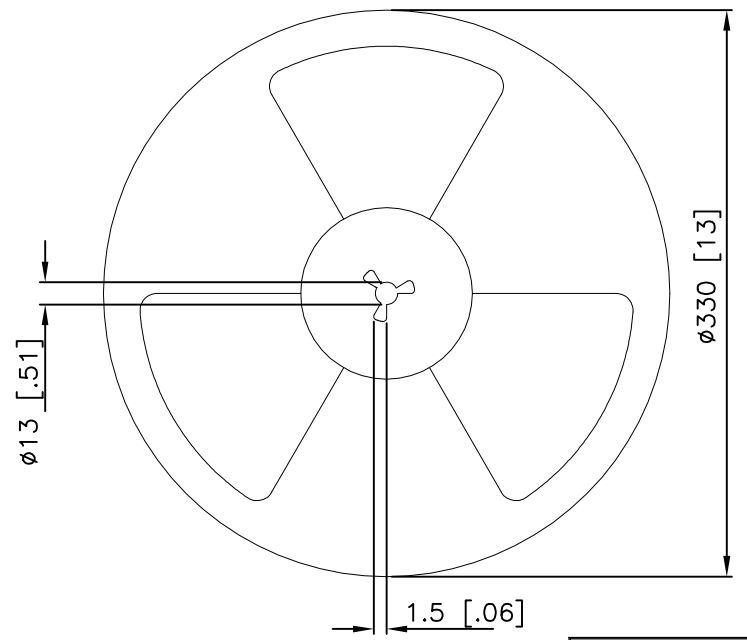


Section B-B

THE DIRECTION OF PILOT HOLES



Section A-A



**PRELIMINARY**

THIS DRAWING IS A CONTROLLED DOCUMENT.		DWN	GANESH C M		07MAR2018
DIMENSIONS: mm [INCHES]		CHK	ALEXANDER SHARPE		07MAR2018
TOLERANCES UNLESS OTHERWISE SPECIFIED:		APVD	ALEXANDER SHARPE		07MAR2018
0 PLC ± -		NAME			
1 PLC ± -		SWITCH, DETECTOR, JJF SERIES, 4.7X3.8mm, VERTICAL, SMT, WITH DUST COVER			
2 PLC ± 0.20 [.008]		SIZE			
3 PLC ± -		CAGE CODE			
4 PLC ± -		DRAWING NO			
ANGLES ± -		RESTRICTED TO			
FINISH		A3 00779 C-2331370			
MATERIAL		CUSTOMER DRAWING			
		SCALE		SHEET	REV
		NTS		3 of 3	1