



# Norgren Guardian 49 Series B49G - General Purpose Filters/Regulators

- > **Port size:**  
1/8 ... 1/2" (ISO G)
- > **Design allows in-line installation or modular installation with other 49 Series products.**
- > **Integrated gauge**  
reduces mounting time
- > **Push to lock adjusting knob**



## Technical features

### Medium:

Compress air only,  
filtered to better than 40 µm

### Maximum operating pressure:

10 bar (145 psi)

### Pressure range:

0,5 ... 8,5 bar (7,25 ... 123 psi)

### Flow:

63.4 l/s max., at port size 1/2",  
10 bar inlet pressure, pressure  
set at 6,3 bar and 1 bar pressure  
drop from set.

### Filter element:

5 µm (Standard)  
40 µm

### Port size:

G1/8, G1/4, G3/8, G1/2

### Drain type:

Manual, Semi automatic,  
Automatic

### Ambient/Media temperature:

0 ... +60°C (+32 ... +140°F)  
Air supply must be dry enough to  
avoid ice formation at tempera-  
tures below +2°C (+35°F).

### Materials:

G1/8 & G1/4 Body:  
Polyamide  
G3/8 & G1/2 Body:  
Die casting Aluminum  
Bowl: Transparent PC  
Bowl cover: Polyamide  
Bonnet: Polyamide  
Elastomers: Nitrile  
Main valve: Brass

## Technical data - standard models

Symbol	Port size	Flow Rate (l/s)	Weight (kg)	Bowl	Model		
						Automatic	Semi automatic
	G1/8	10	0,20	Transparent without guard	-	B49G-1GK-ST1-RLG	B49G-1GK-MT1-RLG
	G1/4	15	0,20	Transparent without guard	-	B49G-2GK-ST1-RLG	B49G-2GK-MT1-RLG
	G3/8	25	0,64	Transparent with guard	B49G-3GK-AW1-RLG	B49G-3GK-SW1-RLG	B49G-3GK-MW1-RLG
	G1/2	50	0,64	Transparent with guard	B49G-4GK-AW1-RLG	B49G-4GK-SW1-RLG	B49G-4GK-MW1-RLG

## Option selector

Port size	Substitute
1/8"	1
1/4"	2
3/8"	3
1/2"	4
Thread form	Substitute
ISO G	G

B49G-★K-★-★-RL★

Gauge	Substitute
Single scale gauge (bar)	G
Dual scale gauge (bar/MPa)	M
Filter element	Substitute
5 µm (Standard)	1
40 µm	3
Bowl	Substitute
Transparent without guard *2)	T
Transparent with guard *3)	W
Drain	Substitute
Semi automatic drain	S
Manual drain	M
Automatic drain *3)	A

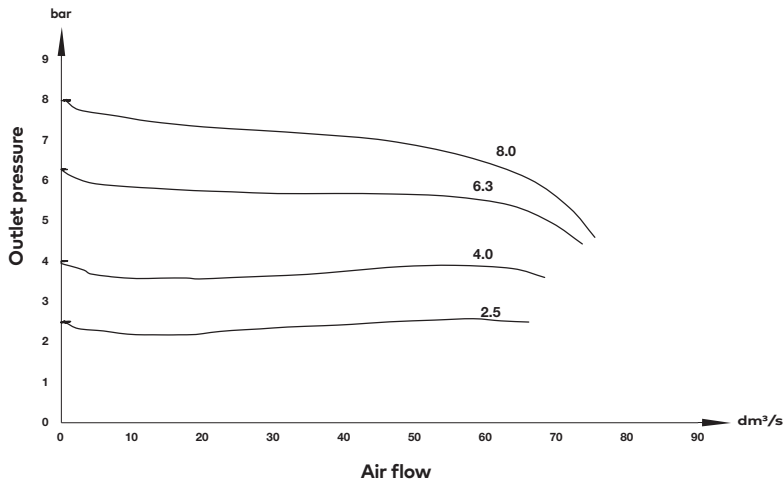
\*1) Outlet pressure can be adjusted in excess of and less than those specified. Do not use these units to control pressures outside of the specified ranges.

\*2) For G1/8 & G1/4 only





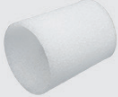
\*3) For G3/8 & G1/2 only

## Flow characteristics

Element 5  $\mu\text{m}$   
 Port size 1/2"  
 Inlet pressure 10 bar



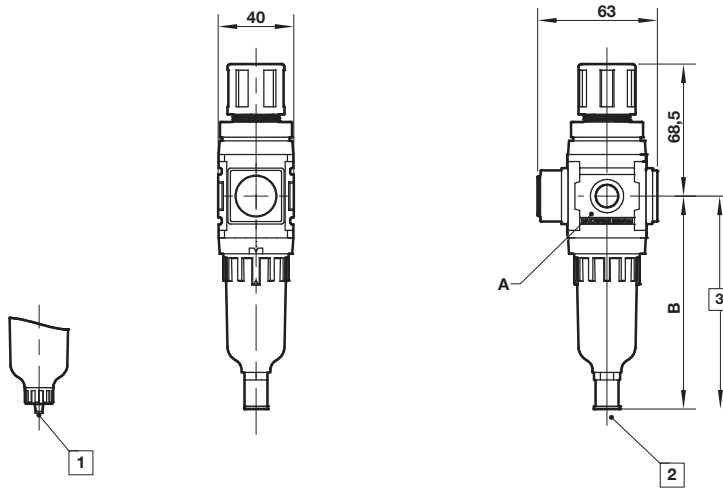
## Accessories

	L Bracket	C Bracket	T Bracket *1)	Gauge	Element
					
<b>Port size</b>	<b>Page 4</b>	<b>Page 4</b>	<b>Page 4</b>	<b>Page 5</b>	
G1/8 & G1/4	49B-011	49B-021	49B-031	49B-GS01 (bar) 49B-GS03 (bar/MPa)	49B-E11 (5 $\mu\text{m}$ element) 49B-E13 (40 $\mu\text{m}$ element)
G3/8 & G1/2	49B-012	49B-022	49B-032	49B-GS02 (bar) 49B-GS04 (bar/MPa)	49B-E21 (5 $\mu\text{m}$ element) 49B-E23 (40 $\mu\text{m}$ element)

1) T Bracket can be used only when two or more parts of the same port size, or with other 49 Series FRL products are connected

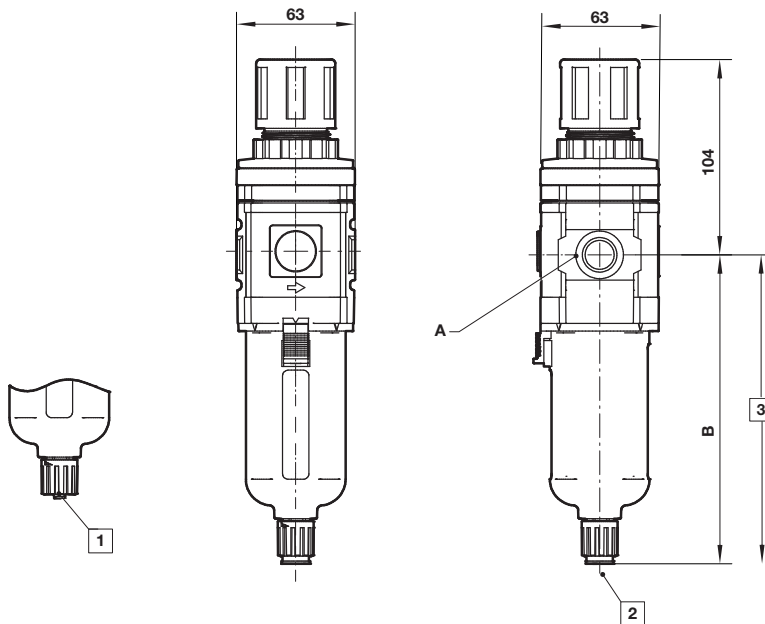
**Dimensions**  
**G1/8 & G1/4**

Dimensions in mm  
Projection/Third angle



- 1 Manual drain can insert ID  $\varnothing$  4 PU tube at drain outlet.
- 2 Semi-auto drain can insert OD  $\varnothing$  6 PU tube at drain outlet.
- 3 The minimum distance is 206 mm to remove the bowl for replacing filter element.

**G3/8 & G1/2**



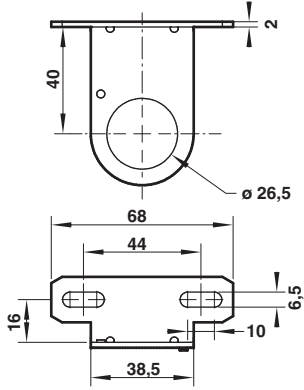
- 1 Manual drain or automatic drain can insert ID  $\varnothing$  5,5 PU tube at drain outlet.
- 2 Semi-auto drain can insert OD  $\varnothing$  8 PU tube at drain outlet.
- 3 The minimum distance is 206 mm to remove the bowl for replacing filter element.

Port size (A)	B	Model
G1/8	113,5	B49G-1GK-ST3-RLG
G1/8	105,5	B49G-1GK-MT3-RLG
G1/4	113,5	B49G-2GK-ST3-RLG
G1/4	105,5	B49G-2GK-MT3-RLG
G3/8	158	B49G-3GK-SW3-RLG
G3/8	157	B49G-3GK-MW3-RLG
G3/8	157	B49G-3GK-AW3-RLG
G1/2	158	B49G-4GK-SW3-RLG
G1/2	157	B49G-4GK-MW3-RLG
G1/2	157	B49G-4GK-AW3-RLG



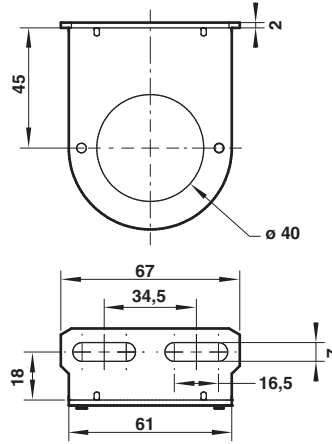
L Bracket

49B-011



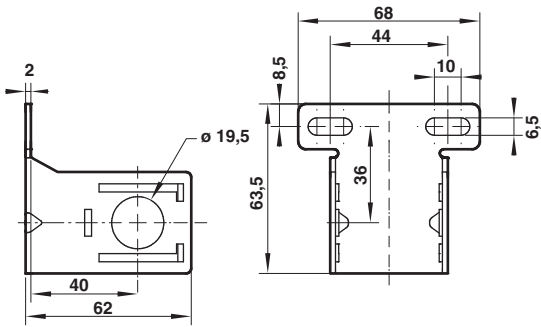
L Bracket

49B-012



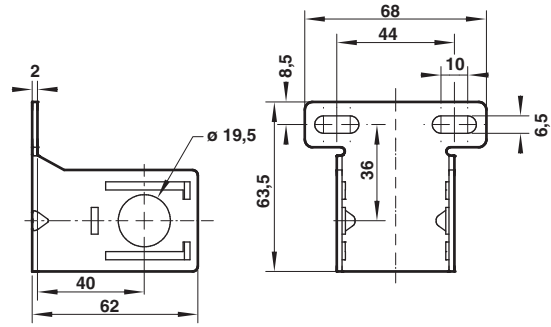
C Bracket

49B-021



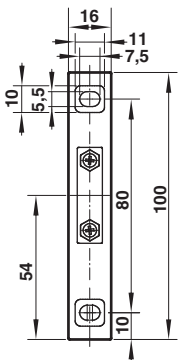
C Bracket

49B-022



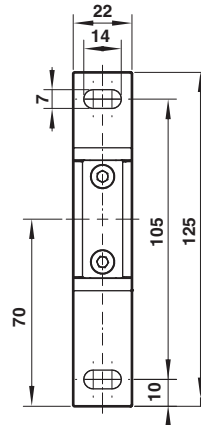
T Bracket

49B-031



T Bracket

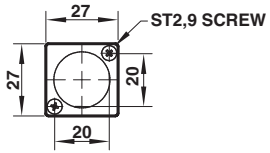
49B-032



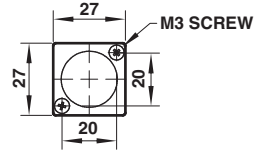


**Accessories**

**Gauge  
49B-GS01**



**Gauge  
49B-GS02**



Dimensions in mm  
Projection/Third angle

