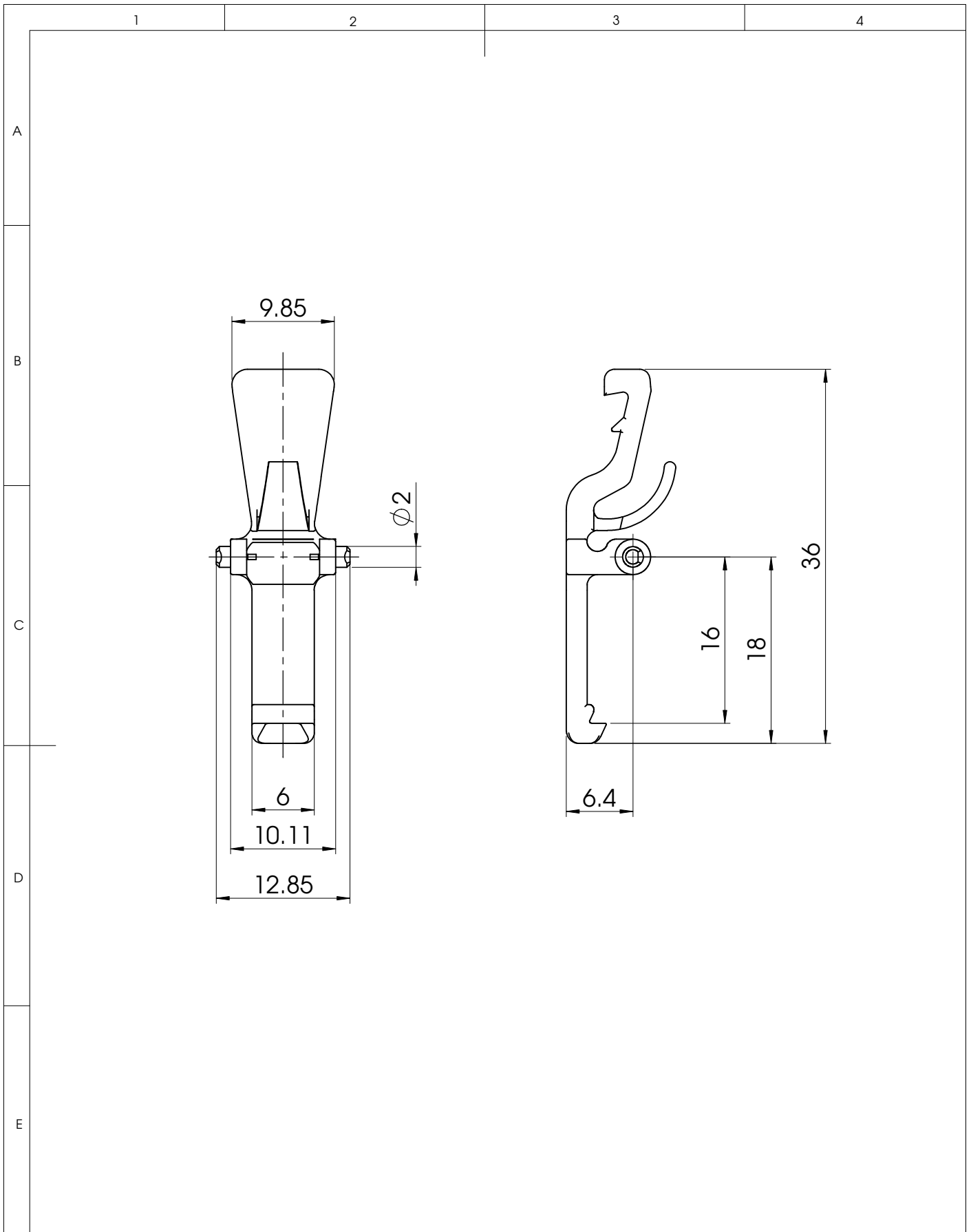


COMMENT:  
 ALL RIGHTS ARE RESERVED BY US FOR THIS DRAWING. WITHOUT OUR PRIOR CONSENT,  
 IT MAY NEITHER BE DUPLICATED NOR MADE AVAILABLE TO A THIRD PARTY.  
 AND IT ALSO MAY NOT BE IMPROPERLY USED BY THE RECEIVER, OR A THIRD PARTY.



FRH1/5P		② F50K102P085	Polyetherimide		black	
Type Description		Part No.	Material		Surface plating / Colour / Class	
			SCALE	TITLE		
		Measurement without tolerance acc. to ISO 2768-m	2:1			
		DATE	NAME			
		DRAWN 20-08-2003	Denzinger			
		CHECKED 08-04-2005	okappla	Locking hook FRH1/5P		
2	05-04-2005	21573	DWG.NO.			
1			REV.		2	
REV.	DATE	CH.-NO.	ORIGINAL: DIN A4-DRAWING AS A FILE		REPLACEMENT FOR:	PAGES 1

**FCT** group  
 www.fctgroup.com