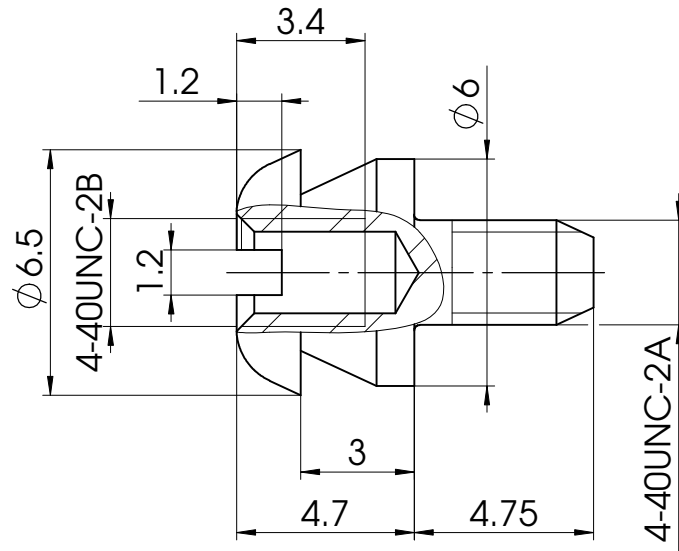


COMMENT:
 ALL RIGHTS ARE RESERVED BY US FOR THIS DRAWING. WITHOUT OUR PRIOR CONSENT,
 IT MAY NEITHER BE DUBLICATED NOR MADE AVAILABLE TO A THIRD PARTY,
 AND IT ALSO MAY NOT BE IMPROPERLY USED BY TE RECEIVER, OR A THIRD PARTY.

1	2	3	4	5	6		
	Surface	Screw (quantity)	Washer (quantity)	Spring washer (quantity)	Nut (quantity)	Package	Notice
	tin plated	2	-	-	-	in pairs	Packed together in a bag
	tin plated	max. 5000	-	-	-	bulk packed	Individually packed in bags



					Measurement without tolerance acc. to ISO 2768-m	SCALE 10:1	TITLE Latch Screw 4-40/4-40 for Locking Hook FRH1/5	
					DATE	NAME		
				DRAWN	29-08-2003	cpasch		
				CHECKED	29-08-2003	okappla		
				FCT group www.fctgroup.com			DWG.NO.	REV. 1
1		21400				F62M125_D		
REV.	DATE	CH.-NO.	ORIGINAL: DIN A4-DRAWING AS A FILE	REPLACEMENT FOR:			PAGES 1	